

# Blondel's Experiment

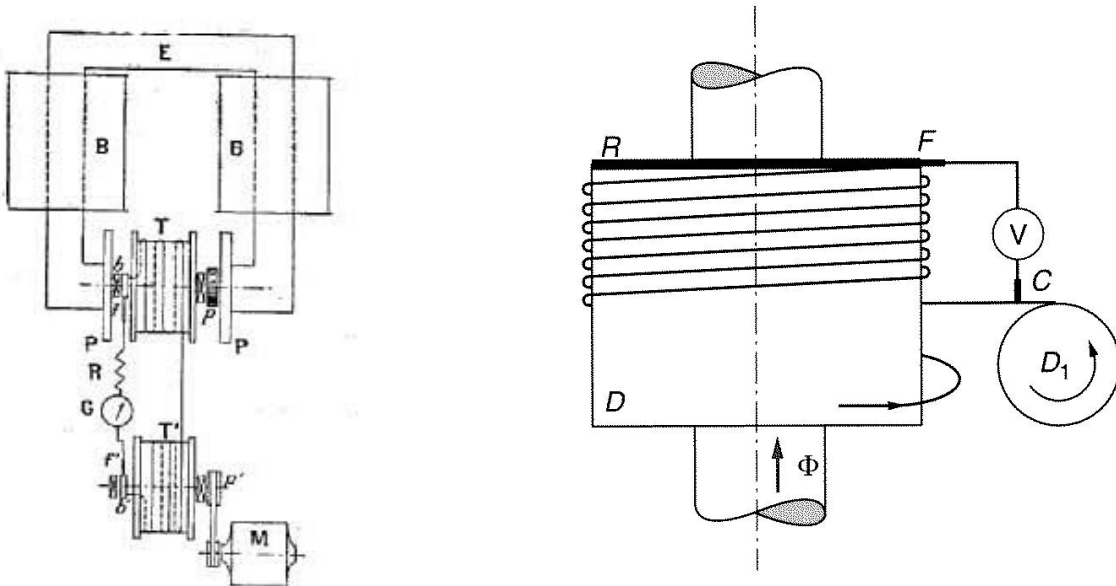
Kirk T. McDonald

Joseph Henry Laboratories, Princeton University, Princeton, NJ 08544

(June 11, 2010; updated February 25, 2019)

## 1 Problem

In 1914, Blondel [1, 2] performed an experiment in which a solenoidal coil was coaxial with a region of static magnetic field, such that the magnetic field on the conductor of the coil was negligible. The conductor of the coil  $T$  ( $D$  in the right figure) could be wound onto an auxiliary drum  $T'$  ( $D_1$ ), such that the magnetic flux through the coil  $T$  ( $D$ ) was time dependent. What was the reading of the galvanometer  $G$  ( $V$ ) when the conductor was in motion?



## 2 Solution

Because the magnetic field on the conductor is everywhere “zero”, there is zero  $\mathbf{J} \times \mathbf{B}$  force on the conduction electrons, and no  $\mathcal{EMF}$  is induced in the circuit containing the galvanometer (voltmeter), which therefore has zero reading even though the magnetic flux through this circuit is changing.

This “flux-rule exception” [3] illustrates that one must be cautious in interpreting Faraday’s law as implying that, when moving conductors are present along with a changing magnetic flux, the only  $\mathcal{EMF}$  present is that induced by the latter. Indeed, Faraday commented on this in secs. 114-119 of his first paper on magnetic induction [4].<sup>1</sup>

---

<sup>1</sup>Other discussions of “flux-rule exceptions” are given in [5]-[57]. Section 2.4.4 of [58] includes additional discussion by the present author of Blondel’s experiment.

This delightful problem is only rarely discussed [16, 26, 42, 50].<sup>2</sup> It has, however, been recently misinterpreted [51] as providing evidence for the “reality” of the vector potential.

For a subtler example of possibly surprising behavior in the “zero-field” region outside a long solenoid magnet with a slowly varying current, see [59].

## A Appendix: Time-Dependent Electromagnet

In the analysis above we assumed that there was no magnetic field from the electromagnet  $E$  at any point on the conductor of the test circuit. This is a good approximation when the field of the electromagnetic is constant in time.

Suppose, however, the field of the electromagnet varies with time, such that the flux through any turn of the coil on drum  $T$  is  $\Phi_1(t)$ .<sup>3</sup>

Because the drum  $T$  is rotating, the number  $N$  of turns of the coil that link this flux is time dependent. That is, the total flux linked by the test circuit is,

$$\Phi = N(t)\Phi_1(t). \quad (1)$$

What is the reading of the galvanometer/voltmeter now, supposing that the total resistance of the test circuit is  $R = R_{\text{wire}} + R_{\text{meter}}$ ?

Here, the  $\mathcal{EMF}$  induced in the test circuit is nonzero, so a small current,

$$I = \frac{\mathcal{EMF}}{R_{\text{wire}} + R_{\text{meter}}}, \quad (2)$$

flows through the meter, whose reading is then,<sup>4</sup>

$$V_{\text{meter}} = IR_{\text{meter}} = \mathcal{EMF} \frac{R_{\text{meter}}}{R_{\text{wire}} + R_{\text{meter}}} \approx \mathcal{EMF}. \quad (3)$$

It remains to identify the  $\mathcal{EMF}$  in the test circuit. A direct application of Faraday’s flux rule implies that  $\mathcal{EMF} = -d\Phi/dt \equiv -\dot{\Phi} = -N\dot{\Phi}_1 - \dot{N}\Phi_1$ . However, Blondel’s experiment reminds us that Faraday’s flux rule does not always apply to moving circuits. In particular, we have argued that if  $\Phi_1$  is constant then the  $\mathcal{EMF}$  is zero when  $N$  changes. That is, for the variant of this Appendix,

$$\mathcal{EMF}_0 \approx -N\dot{\Phi}_1. \quad (4)$$

But, there is a small correction to eq. (4) because the sliding conductor moves through the small magnetic field that exists outside the coil due to the small current (2) in the test circuit. This small motional  $\mathcal{EMF}$  is similar to that when a bar slides along a U-shaped wire in a transverse magnetic field. As a rough estimate, suppose the length of the wires between drums  $T$  and  $T'$  is  $L$  and the wire that does not contain the galvanometer moves

<sup>2</sup>Ref. [16] makes various doubtful claims.

<sup>3</sup>This variation is posed as prob. 14.22 of [42], where the solution appears to be in error.

<sup>4</sup>We suppose that the characteristic frequency of the time dependence is low enough that the associated wavelength is large compared to the size of the test circuit. Then, radiation can be ignored, and it is relatively straightforward to predict the response of the meter. For a discussion of what voltmeters read in high-frequency applications, see [60].

transversely with velocity  $v$ . Then, the magnetic field  $B$  on the moving wire, due to the current  $I = \mathcal{EMF}_0/R$  in the fixed wire (that also runs between the two drums) is,

$$B \approx \frac{\mu_0 I}{2\pi x}, \quad (5)$$

when the separation between the two wires is  $x$ . The resulting motional  $\mathcal{EMF}$  (whose sign is the same as that of  $\mathcal{EMF}_0$ ) is,

$$|\mathcal{EMF}_{\text{motional}}| \approx I v B L \approx \frac{\mu_0 N^2 \dot{\Phi}_1^2 v L}{2\pi x R^2} \ll |\mathcal{EMF}_0|. \quad (6)$$

## References

- [1] A. Blondel, *Sur l'énoncé le plus general des lois de l'induction*, *Compt. Rend. Acad. Sci.* **159**, 674 (1914), [http://kirkmcd.princeton.edu/examples/EM/blondel\\_cr\\_159\\_674\\_14.pdf](http://kirkmcd.princeton.edu/examples/EM/blondel_cr_159_674_14.pdf)
- [2] A. Blondel, *The Laws of Induction*, *Electrician* **75**, 344 (1915), [http://kirkmcd.princeton.edu/examples/EM/blondel\\_electrician\\_75\\_344\\_15.pdf](http://kirkmcd.princeton.edu/examples/EM/blondel_electrician_75_344_15.pdf)
- [3] R.P. Feynman, R.B. Leighton and M. Sands, *The Feynman Lectures on Physics*, Vol. 2, sec. 17-2 (Addison-Wesley, 1964), [http://www.feynmanlectures.caltech.edu/II\\_17.html](http://www.feynmanlectures.caltech.edu/II_17.html)
- [4] M. Faraday, *Experimental Researches in Electricity*, *Phil. Trans. Roy. Soc. London* **122**, 125 (1832), [kirkmcd.princeton.edu/examples/EM/faraday\\_ptrs1\\_122\\_163\\_32.pdf](http://kirkmcd.princeton.edu/examples/EM/faraday_ptrs1_122_163_32.pdf)
- [5] M. Faraday, *Experimental Researches in Electricity—Twenty-eighth Series*, *Phil. Trans. Roy. Soc. London* **142**, 25 (1852), [http://kirkmcd.princeton.edu/examples/EM/faraday\\_ptrs1\\_142\\_25\\_52.pdf](http://kirkmcd.princeton.edu/examples/EM/faraday_ptrs1_142_25_52.pdf)
- [6] J. Plücker, *Ueber die Reciprocität der elktro-magnetischen und magneto-elektrischen Erscheinungen*, *Ann. d. Phys.* **87**, 353 (1852), [http://kirkmcd.princeton.edu/examples/EM/plucker\\_ap\\_87\\_353\\_52.pdf](http://kirkmcd.princeton.edu/examples/EM/plucker_ap_87_353_52.pdf)
- [7] S.T. Preston, *On some Electromagnetic Experiments of Faraday and Plücker*, *Phil. Mag.* **19**, 131, 215 (1885), [http://kirkmcd.princeton.edu/examples/EM/preston\\_pm\\_19\\_131\\_85.pdf](http://kirkmcd.princeton.edu/examples/EM/preston_pm_19_131_85.pdf)
- [8] C. Hering, *A New Factor in Induction; the “Loop” vs. the “Cutting Lines of Force” Laws*, *Elec. World* **51**, 5581 (1908), [http://kirkmcd.princeton.edu/examples/EM/hering\\_ew\\_51\\_558\\_08.pdf](http://kirkmcd.princeton.edu/examples/EM/hering_ew_51_558_08.pdf)
- [9] C. Hering, *An Imperfection in the Usual Statement of the Fundamental Law of Electromagnetic Induction*, *Trans. Am. Inst. Elec. Eng.* **27**, 1341 (1908), [http://kirkmcd.princeton.edu/examples/EM/hering\\_taiie\\_27\\_1341\\_08.pdf](http://kirkmcd.princeton.edu/examples/EM/hering_taiie_27_1341_08.pdf)
- [10] S.J. Barnett, *On Electromagnetic Induction and Relative Motion*, *Phys. Rev.* **35**, 323 (1912), [http://kirkmcd.princeton.edu/examples/EM/barnett\\_pr\\_35\\_323\\_12.pdf](http://kirkmcd.princeton.edu/examples/EM/barnett_pr_35_323_12.pdf)

- [11] E.H. Kennard, *Unipolar Induction*, Phil. Mag. **23**, 937 (1912),  
[http://kirkmcd.princeton.edu/examples/EM/kennard\\_pm\\_23\\_937\\_12.pdf](http://kirkmcd.princeton.edu/examples/EM/kennard_pm_23_937_12.pdf)
- [12] S.J. Barnett, *On Electromagnetic Induction*, Phys. Rev. **2**, 323 (1913), [http://kirkmcd.princeton.edu/examples/EM/barnett\\_pr\\_2\\_323\\_13.pdf](http://kirkmcd.princeton.edu/examples/EM/barnett_pr_2_323_13.pdf)
- [13] G.W.O. Howe, *Some Problems of Electromagnetic Induction*, Electrician **76**, 169 (1915),  
[http://kirkmcd.princeton.edu/examples/EM/howe\\_electrician\\_76\\_169\\_15.pdf](http://kirkmcd.princeton.edu/examples/EM/howe_electrician_76_169_15.pdf)
- [14] E.H. Kennard, *On Unlpolar Induction: Another Experiment and its Significance as Evidence for the Existence of the Æther*, Phil. Mag. **33**, 179 (1917),  
[http://kirkmcd.princeton.edu/examples/EM/kennard\\_pm\\_33\\_179\\_17.pdf](http://kirkmcd.princeton.edu/examples/EM/kennard_pm_33_179_17.pdf)
- [15] G.b. Pegram, *Unlpolar Induction and Electron Theory*, Phys. Rev. **10**, 591 (1917),  
[http://kirkmcd.princeton.edu/examples/EM/pegram\\_pr\\_10\\_591\\_17.pdf](http://kirkmcd.princeton.edu/examples/EM/pegram_pr_10_591_17.pdf)
- [16] C. Hering, *Revision of Some of the Electromagnetic Laws*, J. Franklin Inst. **192**, 599 (1921), [kirkmcd.princeton.edu/examples/EM/hering\\_jfi\\_192\\_599\\_21.pdf](http://kirkmcd.princeton.edu/examples/EM/hering_jfi_192_599_21.pdf)
- [17] C. Hering, *Electromagnetic Forces; A Search for More Rational Fundamentals; a Proposed Revision of the Laws*, Trans. Am. Inst. Elec. Eng. **42**, 311 (1923),  
[kirkmcd.princeton.edu/examples/EM/hering\\_taiee\\_42\\_311\\_23.pdf](http://kirkmcd.princeton.edu/examples/EM/hering_taiee_42_311_23.pdf)
- [18] L.V. Bewley, *Flux Linkages and Electromagnetic Induction in Closed Circuits*, Trans. Am. Inst. Elec. Eng. **48**, 327 (1929),  
[http://kirkmcd.princeton.edu/examples/EM/bewley\\_taiee\\_48\\_327\\_29.pdf](http://kirkmcd.princeton.edu/examples/EM/bewley_taiee_48_327_29.pdf)
- [19] R.J. Stephenson, *Experiments with a Unipolar Generator and Motor*, Am. J. Phys. **5**, 108 (1937), [http://kirkmcd.princeton.edu/examples/EM/stephenson\\_ajp\\_5\\_108\\_37.pdf](http://kirkmcd.princeton.edu/examples/EM/stephenson_ajp_5_108_37.pdf)
- [20] L. Page and N.I. Adams, Jr, *Some Common Misconceptions in the Theory of Electricity*, Am. J. Phys. **3**, 51 (1935), [http://kirkmcd.princeton.edu/examples/EM/page\\_ajp\\_3\\_51\\_35.pdf](http://kirkmcd.princeton.edu/examples/EM/page_ajp_3_51_35.pdf)
- [21] E.G. Cullwick, *An Experiment on Electromagnetic Induction by Linear Motion*, J. Inst. Elec. Eng. **85**, 315 (1939), [http://kirkmcd.princeton.edu/examples/EM/cullwick\\_jiee\\_85\\_315\\_39.pdf](http://kirkmcd.princeton.edu/examples/EM/cullwick_jiee_85_315_39.pdf)
- [22] H. Sohon, *Electrical Essays for Recreation*, Elec. Eng. **64**, 294 (1945),  
[http://kirkmcd.princeton.edu/examples/EM/sohon\\_ee\\_64\\_294\\_45.pdf](http://kirkmcd.princeton.edu/examples/EM/sohon_ee_64_294_45.pdf)
- [23] G.I. Cohn, *Electromagnetic Induction*, Elec. Eng. **68**, 441 (1949),  
[http://kirkmcd.princeton.edu/examples/EM/cohn\\_ee\\_68\\_441\\_49.pdf](http://kirkmcd.princeton.edu/examples/EM/cohn_ee_68_441_49.pdf)  
with comments by N. Savage, L.V. Bewley and Cohn on pp. 645, 1018 and 1113, and on pp. 1138, 1138 of vol. 69 (1950).
- [24] D.R. Corson, *Electromagnetic Induction in Moving Systems*, Am. J. Phys. **24**, 126 (1952), [http://kirkmcd.princeton.edu/examples/EM/corson\\_ajp\\_24\\_126\\_56.pdf](http://kirkmcd.princeton.edu/examples/EM/corson_ajp_24_126_56.pdf)
- [25] E.G. Cullwick, *Electromagnetism and Relativity*, 2<sup>nd</sup> ed. (Longmans, 1959), Chap. 9-10,  
[http://kirkmcd.princeton.edu/examples/EM/cullwick\\_em\\_rel.pdf](http://kirkmcd.princeton.edu/examples/EM/cullwick_em_rel.pdf)

- [26] R.B. Birss, *Electromagnetic Induction*, Contemp. Phys. **2**, 281 (1961), [http://kirkmcd.princeton.edu/examples/EM/birss\\_cp\\_2\\_286\\_61.pdf](http://kirkmcd.princeton.edu/examples/EM/birss_cp_2_286_61.pdf)
- [27] T.D. Strickler, *Variation of the Homopolar Motor*, Am. J. Phys. **29**, 635 (1961), [http://kirkmcd.princeton.edu/examples/EM/strickler\\_ajp\\_29\\_635\\_61.pdf](http://kirkmcd.princeton.edu/examples/EM/strickler_ajp_29_635_61.pdf)
- [28] J.W. Then, *Experimental Study of the Motional Electromotive Force*, Am. J. Phys. **30**, 411 (1962), [http://kirkmcd.princeton.edu/examples/EM/then\\_ajp\\_30\\_411\\_62.pdf](http://kirkmcd.princeton.edu/examples/EM/then_ajp_30_411_62.pdf)
- [29] D.E. Tilley, *Exceptions to the Flux Rule for Electromagnetic Induction* Am. J. Phys. **36**, 458 (1968), [http://kirkmcd.princeton.edu/examples/EM/tilley\\_ajp\\_36\\_458\\_68.pdf](http://kirkmcd.princeton.edu/examples/EM/tilley_ajp_36_458_68.pdf)
- [30] P.J. Scanlon, R.N. Henriksen and J.R. Allen, *Approaches to Electromagnetic Induction*, Am. J. Phys. **37**, 698 (1969), [http://kirkmcd.princeton.edu/examples/EM/scanlon\\_ajp\\_37\\_698\\_69.pdf](http://kirkmcd.princeton.edu/examples/EM/scanlon_ajp_37_698_69.pdf)
- [31] A. Nussbaum, *Faraday's Law Paradoxes*, Phys. Ed. **7**, 231 (1972), [http://kirkmcd.princeton.edu/examples/EM/nussbaum\\_pe\\_7\\_231\\_72.pdf](http://kirkmcd.princeton.edu/examples/EM/nussbaum_pe_7_231_72.pdf)
- [32] J. Djurić, *Spinning magnetic fields*, J. Appl. Phys. **46**, 679 (1975), [http://kirkmcd.princeton.edu/examples/EM/djuric\\_jap\\_46\\_679\\_75.pdf](http://kirkmcd.princeton.edu/examples/EM/djuric_jap_46_679_75.pdf)
- [33] J. Djurić, *Suggestions for an experiment with a unipolar generator and its bearing on the Earth's magnetic field*, J. Phys. D **9**, 2673 (1977), [http://kirkmcd.princeton.edu/examples/EM/djuric\\_jpd\\_9\\_2623\\_76.pdf](http://kirkmcd.princeton.edu/examples/EM/djuric_jpd_9_2623_76.pdf)
- [34] D.F. Bartlett, J. Monroy and J. Reeves, *Spinning magnets and Jehle's model of the electron*, Phys. Rev. D **16**, 3459 (1977), [http://kirkmcd.princeton.edu/examples/EM/bartlett\\_prd\\_16\\_3459\\_77.pdf](http://kirkmcd.princeton.edu/examples/EM/bartlett_prd_16_3459_77.pdf)
- [35] M.J. Crooks *et al.*, *One-piece Faraday generator: A paradoxical experiment from 1851*, Am. J. Phys. **46**, 729 (1978), [http://kirkmcd.princeton.edu/examples/EM/crooks\\_ajp\\_46\\_729\\_78.pdf](http://kirkmcd.princeton.edu/examples/EM/crooks_ajp_46_729_78.pdf)
- [36] A.I. Miller *et al.*, *Unipolar Induction: a Case Study of the Interaction between Science and Technology*, Ann. Sci. **38**, 155 (1981), [http://kirkmcd.princeton.edu/examples/EM/miller\\_as\\_38\\_155\\_81.pdf](http://kirkmcd.princeton.edu/examples/EM/miller_as_38_155_81.pdf)
- [37] G. Ares-de-Parga and M.A. Rosales, *Faraday's law revisited*, Eur. J. Phys. **10**, 74 (1989), [http://kirkmcd.princeton.edu/examples/EM/ares-de-parga\\_ejp\\_10\\_74\\_89.pdf](http://kirkmcd.princeton.edu/examples/EM/ares-de-parga_ejp_10_74_89.pdf)
- [38] P. Lorrain, *Electrostatic charges in  $\mathbf{v} \times \mathbf{B}$  fields: the Faraday disk and the rotating sphere*, Eur. J. Phys. **33**, 179 (2012), [http://kirkmcd.princeton.edu/examples/EM/lorrain\\_ejp\\_11\\_94\\_90.pdf](http://kirkmcd.princeton.edu/examples/EM/lorrain_ejp_11_94_90.pdf)
- [39] H. Gelman, *Faraday's law for relativistic and deformed motion of a circuit*, Eur. J. Phys. **12**, 230 (1991), [http://kirkmcd.princeton.edu/examples/EM/gelman\\_ejp\\_12\\_230\\_91.pdf](http://kirkmcd.princeton.edu/examples/EM/gelman_ejp_12_230_91.pdf)
- [40] J. Guala-Valverde and P. Mazzoni, *The principle of relativity as applied to motional electromagnetic induction*, Am. J. Phys. **63**, 228 (1995), [http://kirkmcd.princeton.edu/examples/EM/guala-valverde\\_ajp\\_63\\_228\\_95.pdf](http://kirkmcd.princeton.edu/examples/EM/guala-valverde_ajp_63_228_95.pdf)

- [41] H. Montgomery, *Unipolar induction: a neglected topic in the teaching of electromagnetism*, Eur. J. Phys. **20**, 271 (1999),  
[http://kirkmcd.princeton.edu/examples/EM/montgomery\\_ejp\\_20\\_271\\_99.pdf](http://kirkmcd.princeton.edu/examples/EM/montgomery_ejp_20_271_99.pdf)
- [42] Z. Popović and B.D. Popović, *Introductory Electromagnetics – Practice Problems and Labs* (1999), Prob. 14.21, [http://kirkmcd.princeton.edu/examples/EM/popovic\\_problems.pdf](http://kirkmcd.princeton.edu/examples/EM/popovic_problems.pdf)
- [43] J. Guala-Valverde and P. Mazzoni, *The Unipolar Dynamotor: A Genuine Relational Engine*, Apeiron **8**, 41 (2001),  
[http://kirkmcd.princeton.edu/examples/EM/guala\\_aperion\\_8\\_41\\_01.pdf](http://kirkmcd.princeton.edu/examples/EM/guala_aperion_8_41_01.pdf)
- [44] J. Guala-Valverde, *Spinning Magnets and Relativity: Jehle vs. Bartlett*, Phys. Scr. **66**, 252 (2002), [http://kirkmcd.princeton.edu/examples/EM/guala-valverde\\_ps\\_66\\_252\\_02.pdf](http://kirkmcd.princeton.edu/examples/EM/guala-valverde_ps_66_252_02.pdf)
- [45] J. Guala-Valverde, P. Mazzoni and R. Achilles, *The homopolar motor: A true relativistic engine*, Am. J. Phys. **70**, 1052 (2002),  
[http://kirkmcd.princeton.edu/examples/EM/guala-valverde\\_ajp\\_70\\_1052\\_02.pdf](http://kirkmcd.princeton.edu/examples/EM/guala-valverde_ajp_70_1052_02.pdf)
- [46] H. Montgomery, *Current flow patterns in a Faraday disc*, Eur. J. Phys. **25**, 171 (2004),  
[http://kirkmcd.princeton.edu/examples/EM/montgomery\\_ejp\\_25\\_171\\_04.pdf](http://kirkmcd.princeton.edu/examples/EM/montgomery_ejp_25_171_04.pdf)
- [47] F. Munley, *Challenges to Faraday’s flux rule*, Am. J. Phys. **72**, 1478 (2004),  
[http://kirkmcd.princeton.edu/examples/EM/munley\\_ajp\\_72\\_1478\\_04.pdf](http://kirkmcd.princeton.edu/examples/EM/munley_ajp_72_1478_04.pdf)
- [48] I. Galili, D. Kaplan and Y. Lehavi, *Teaching Faraday’s law of electromagnetic induction in an introductory physics course*, Am. J. Phys. **74**, 337 (2006),  
[http://kirkmcd.princeton.edu/examples/EM/galili\\_ajp\\_74\\_337\\_06.pdf](http://kirkmcd.princeton.edu/examples/EM/galili_ajp_74_337_06.pdf)
- [49] G. Giuliani, *A general law for electromagnetic induction*, Europhys. Lett. **81**, 60002 (2008), [http://kirkmcd.princeton.edu/examples/EM/giuliani\\_epl\\_81\\_60002\\_08.pdf](http://kirkmcd.princeton.edu/examples/EM/giuliani_epl_81_60002_08.pdf)
- [50] A. López-Ramos, J.R. Menéndez and C. Piqué, *Conditions for the validity of Faraday’s law of induction and their experimental confirmation*, Eur. J. Phys. **29**, 1069 (2008),  
[http://kirkmcd.princeton.edu/examples/EM/lopez-ramos\\_ejp\\_29\\_1069\\_08.pdf](http://kirkmcd.princeton.edu/examples/EM/lopez-ramos_ejp_29_1069_08.pdf)
- [51] G. Giuliani, *Vector potential, electromagnetic induction and ‘physical meaning,’* Eur. J. Phys. **31**, 871 (2010), [http://kirkmcd.princeton.edu/examples/EM/giuliani\\_ejp\\_31\\_871\\_10.pdf](http://kirkmcd.princeton.edu/examples/EM/giuliani_ejp_31_871_10.pdf)
- [52] E. Bringuier, *Electrodynamics of moving conductors in magnetic fields: off the beaten track with Paul Lorrain*, Eur. J. Phys. **33**, 179 (2012),  
[http://kirkmcd.princeton.edu/examples/EM/bringuier\\_ejp\\_33\\_179\\_12.pdf](http://kirkmcd.princeton.edu/examples/EM/bringuier_ejp_33_179_12.pdf)
- [53] G.S. Smith, *Faraday’s first dynamo: A retrospective*, Am. J. Phys. **81**, 907 (2013),  
[http://kirkmcd.princeton.edu/examples/EM/smith\\_ajp\\_81\\_907\\_13.pdf](http://kirkmcd.princeton.edu/examples/EM/smith_ajp_81_907_13.pdf)
- [54] B. Auchmann, S. Kurz and S. Russenschuck, *A Note on Faraday Paradoxes*, IEEE Trans. Mag. **50**, 7025404 (2014),  
[http://kirkmcd.princeton.edu/examples/EM/auchmann\\_ieeetm\\_50\\_7025404\\_14.pdf](http://kirkmcd.princeton.edu/examples/EM/auchmann_ieeetm_50_7025404_14.pdf)

- [55] K. Zengel, *The handheld and hand-powered homopolar generator*, Phys. Teach. **56**, 61 (2018), [http://kirkmcd.princeton.edu/examples/EM/zengel\\_pt\\_56\\_61\\_18.pdf](http://kirkmcd.princeton.edu/examples/EM/zengel_pt_56_61_18.pdf)
- [56] K.T. McDonald, *Hering's Flux-Rule Paradox* (Feb. 25, 2019), <http://kirkmcd.princeton.edu/examples/hering.pdf>
- [57] K. Zengel, *The History of the Faraday Paradox of the Unipolar Generator*, Eur. J. Phys. (2019), [http://kirkmcd.princeton.edu/examples/EM/zengel\\_ejp\\_19.pdf](http://kirkmcd.princeton.edu/examples/EM/zengel_ejp_19.pdf)
- [58] K.T. McDonald, *Is Faraday's Disk Dynamo a Flux-Rule Exception?* (July 27, 2019), <http://kirkmcd.princeton.edu/examples/faradaydisk.pdf>
- [59] K.T. McDonald, *Lewin's Circuit Paradox* (May 7, 2010), <http://kirkmcd.princeton.edu/examples/lewin.pdf>
- [60] K.T. McDonald, *What Does an AC Voltmeter Measure?* (March 16, 2008), <http://kirkmcd.princeton.edu/examples/voltage.pdf>