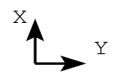
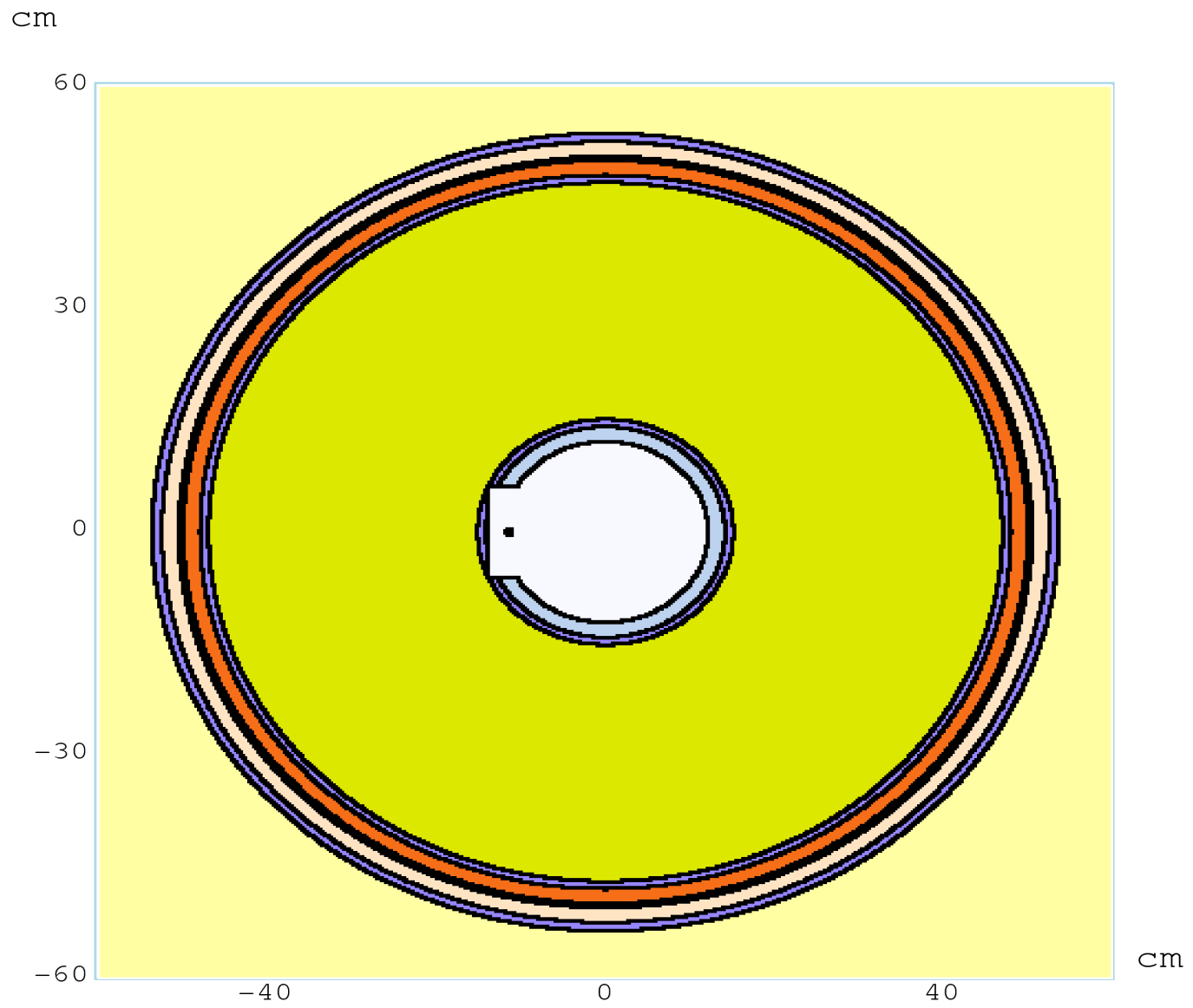
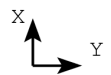
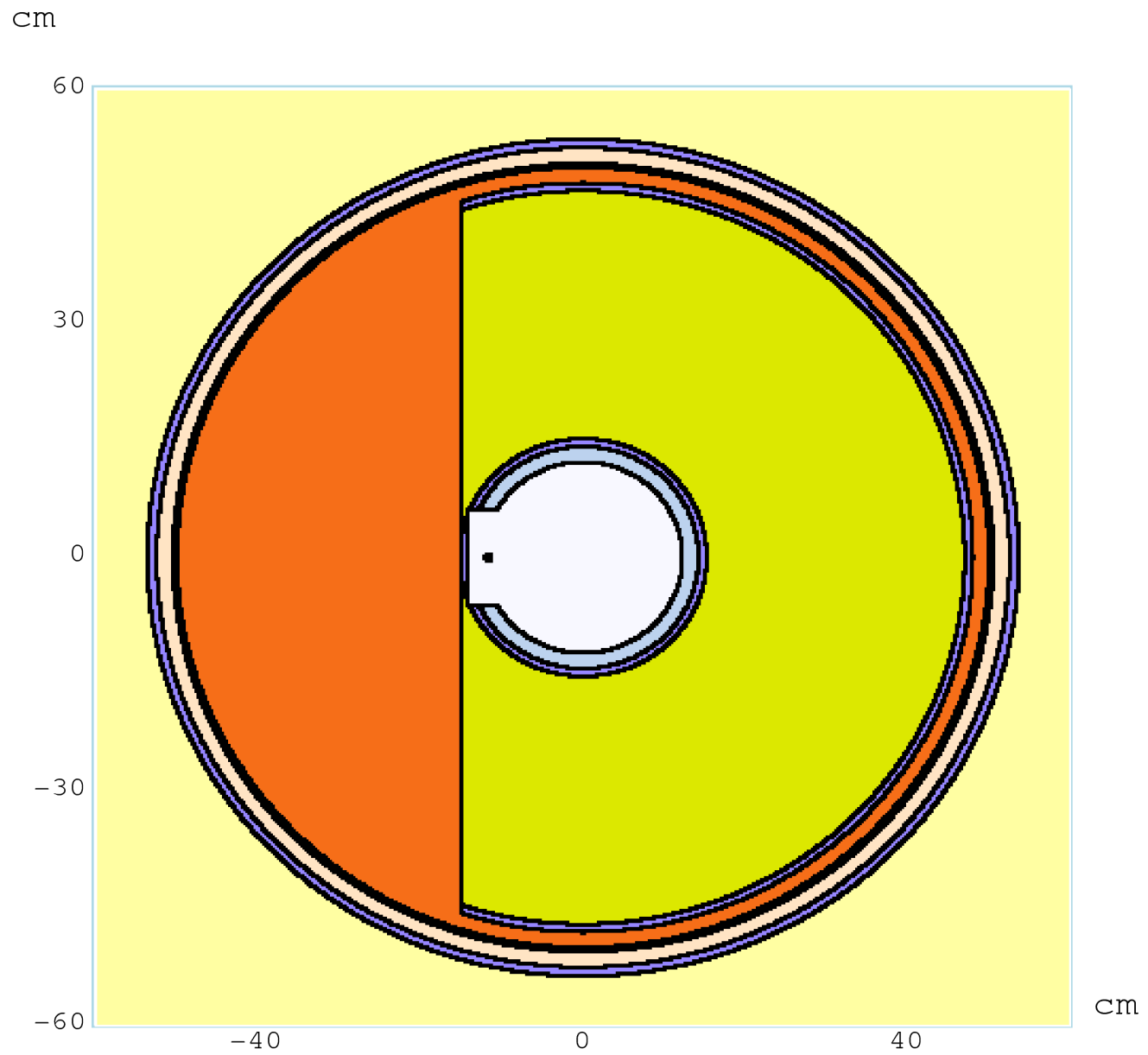


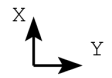
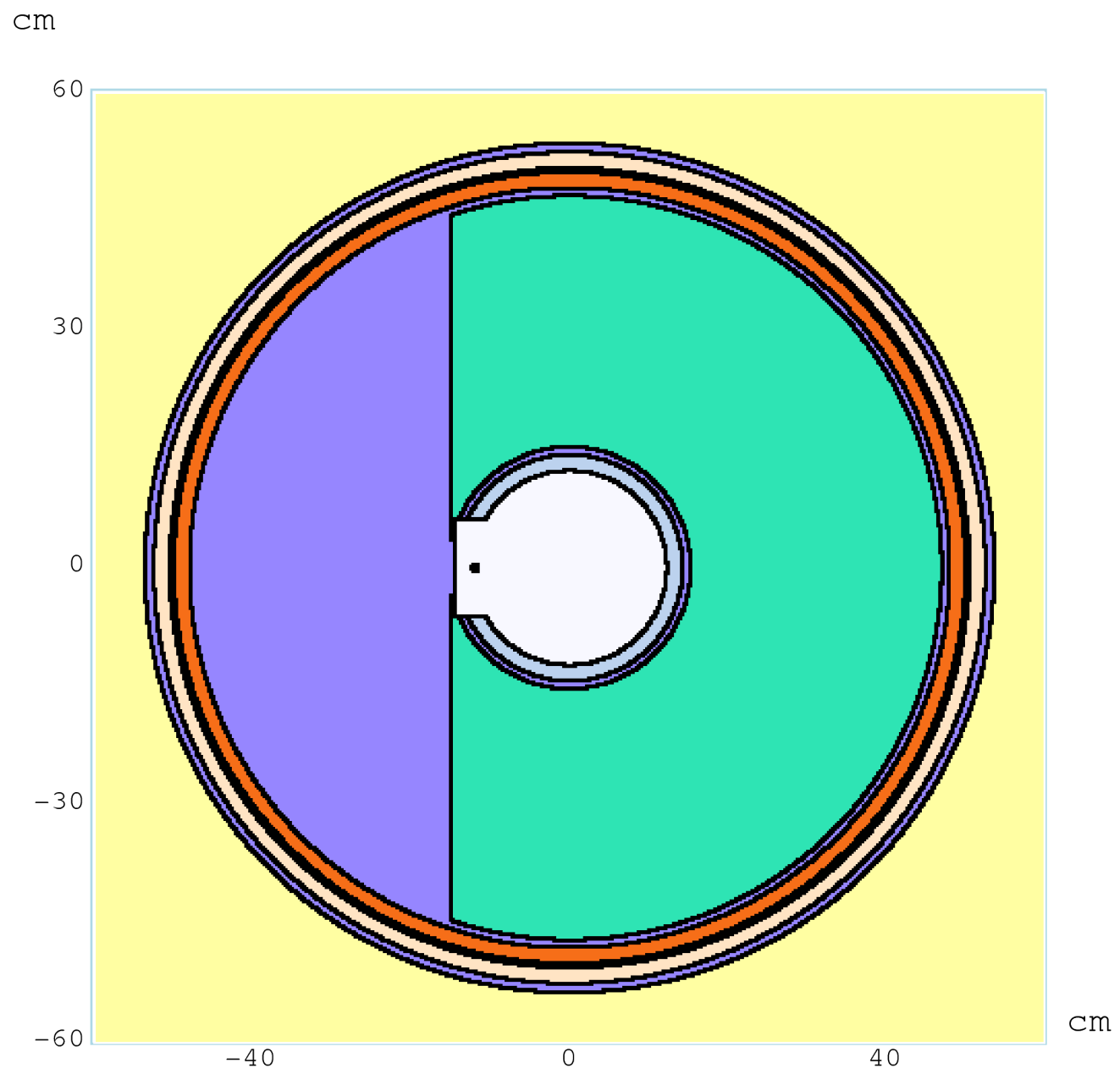
Page 1/2/3/4/5/6/7---> XY cross sections at z= 80/83/85/86/88/190/200 cm
page 8---> YZ cross section of the Hg pool area



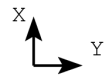
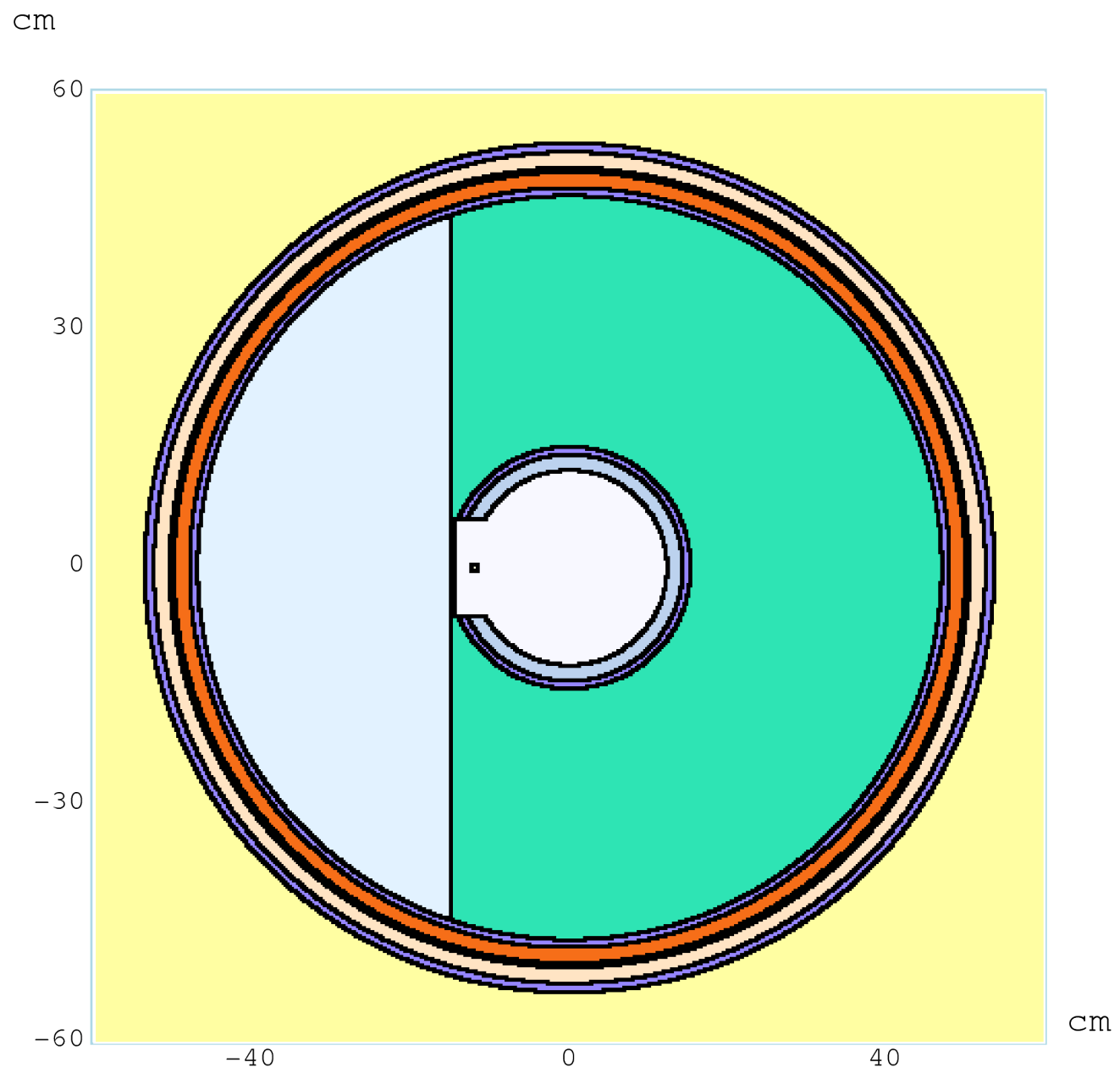
Aspect Ratio: X:Y = 1:1.0



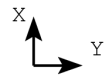
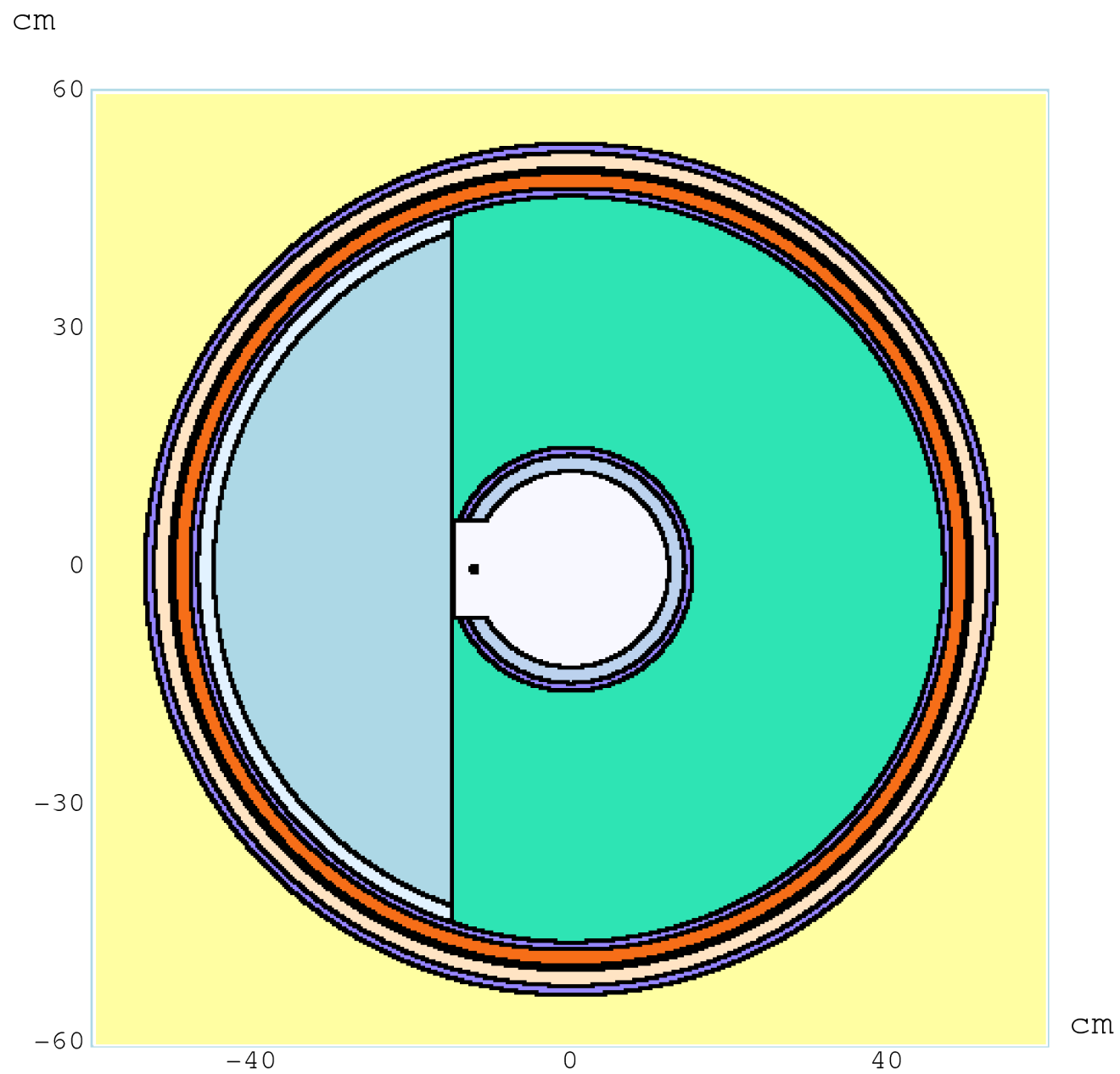
Aspect Ratio: X:Y = 1:1.0



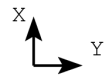
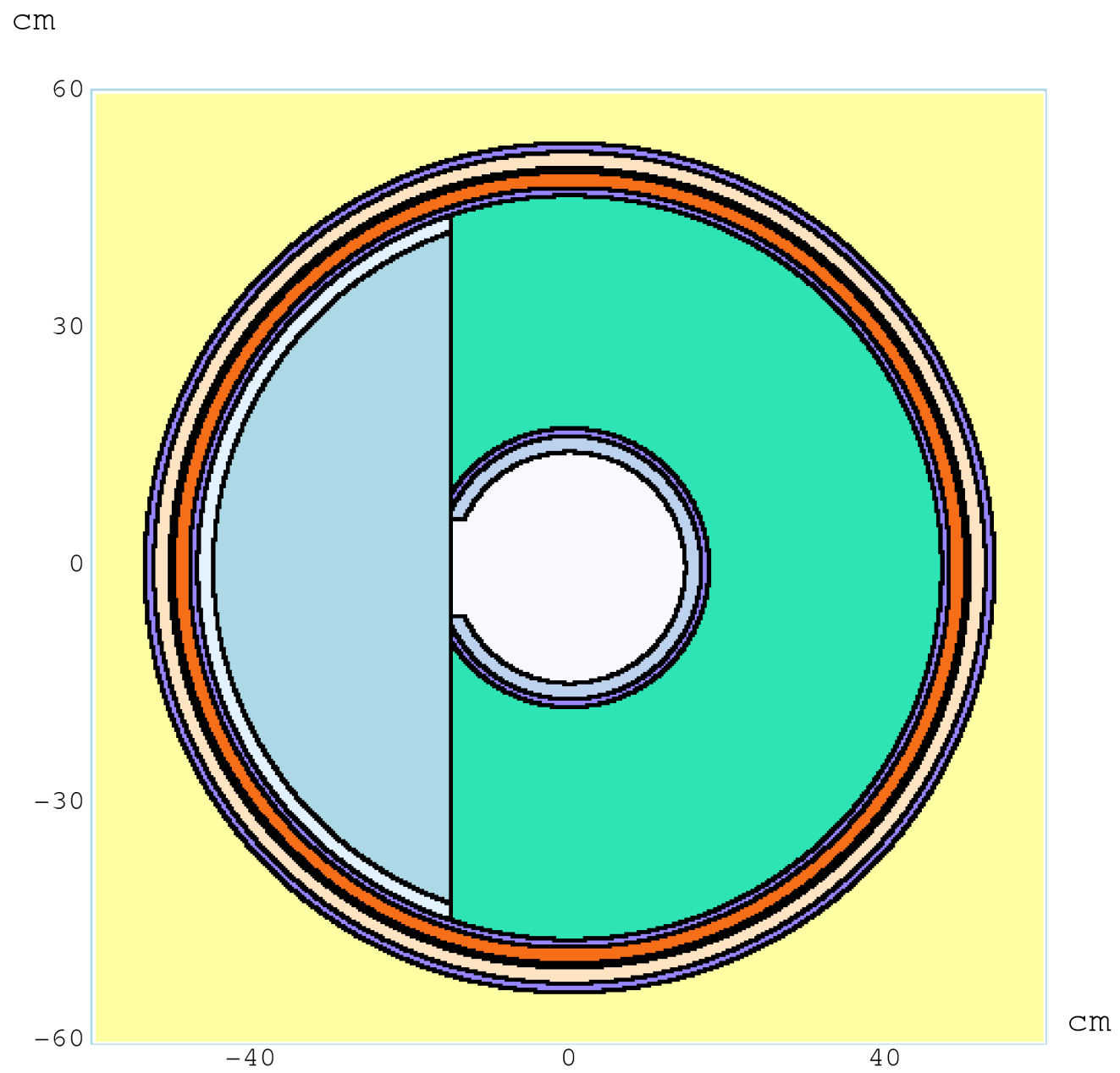
Aspect Ratio: X:Y = 1:1.0



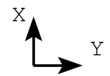
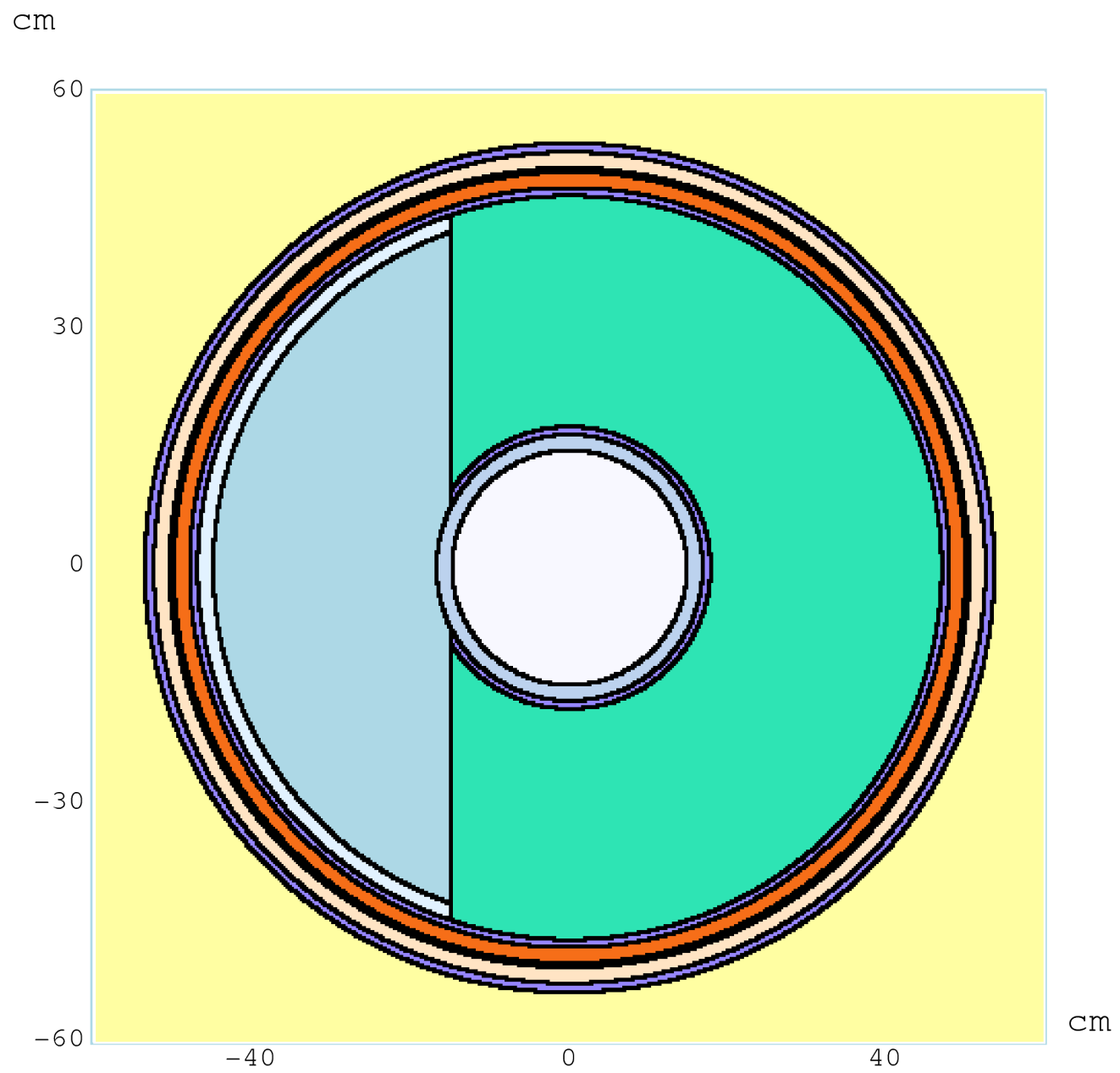
Aspect Ratio: X:Y = 1:1.0



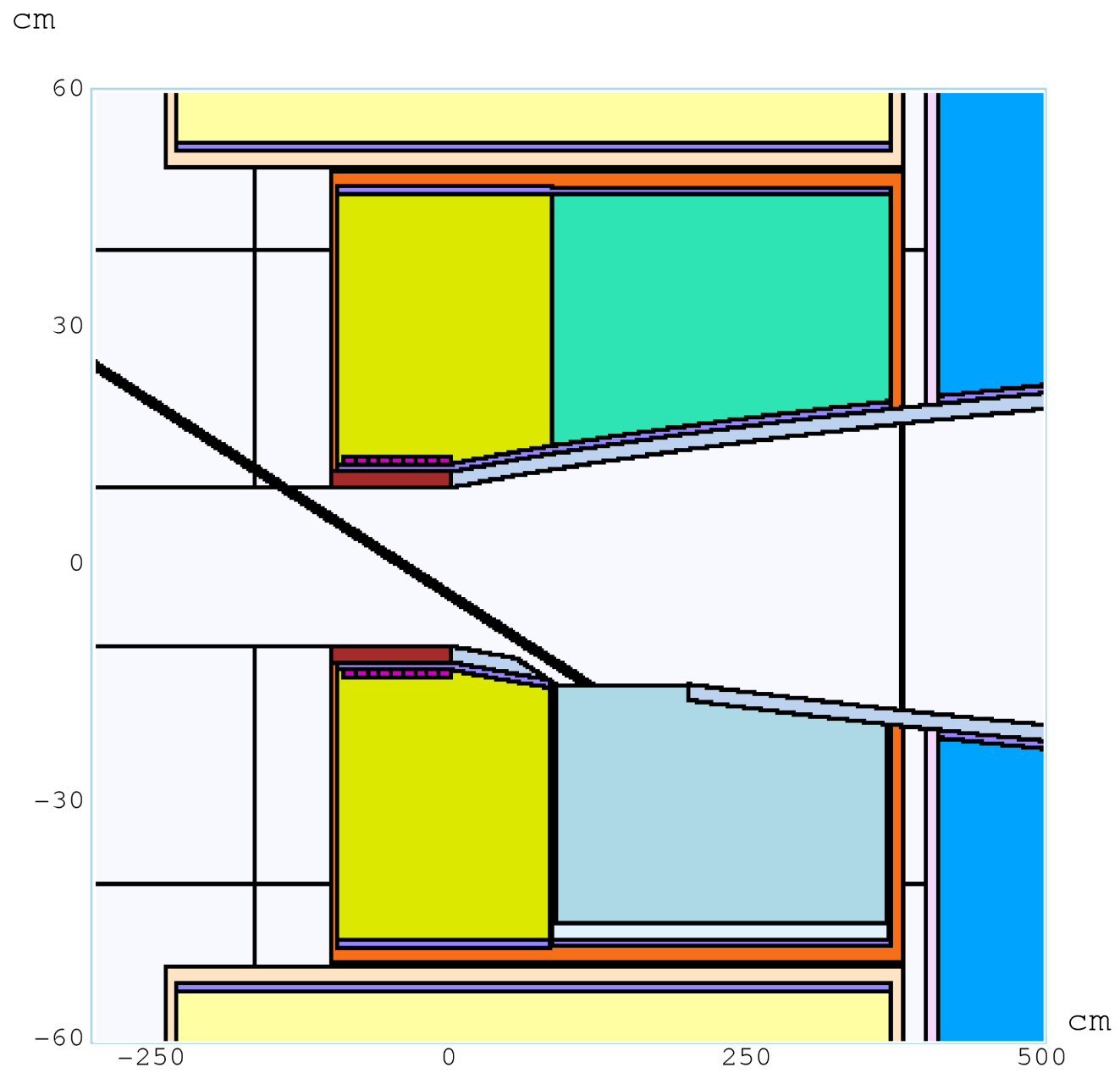
Aspect Ratio: X:Y = 1:1.0



Aspect Ratio: X:Y = 1:1.0



Aspect Ratio: X:Y = 1:1.0



Aspect Ratio: Y:Z = 1:6.66666