

Modelling of nTOF11 experiment

Done

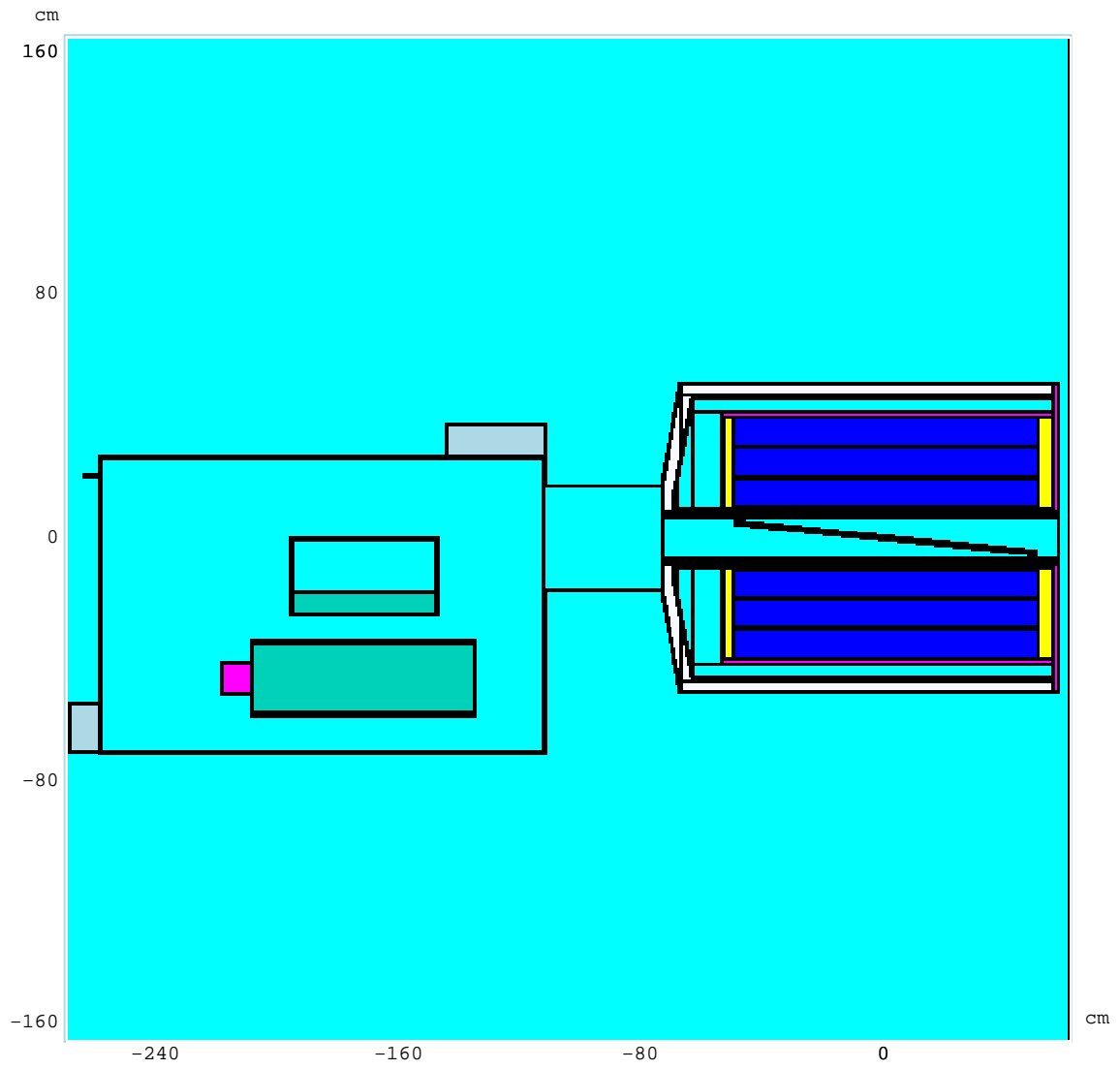
- Geometry - most data has been obtained and included into MARS description
- Magnetic field - field map has been obtained and included into MARS description
- Beam - all data obtained

Should be clarified

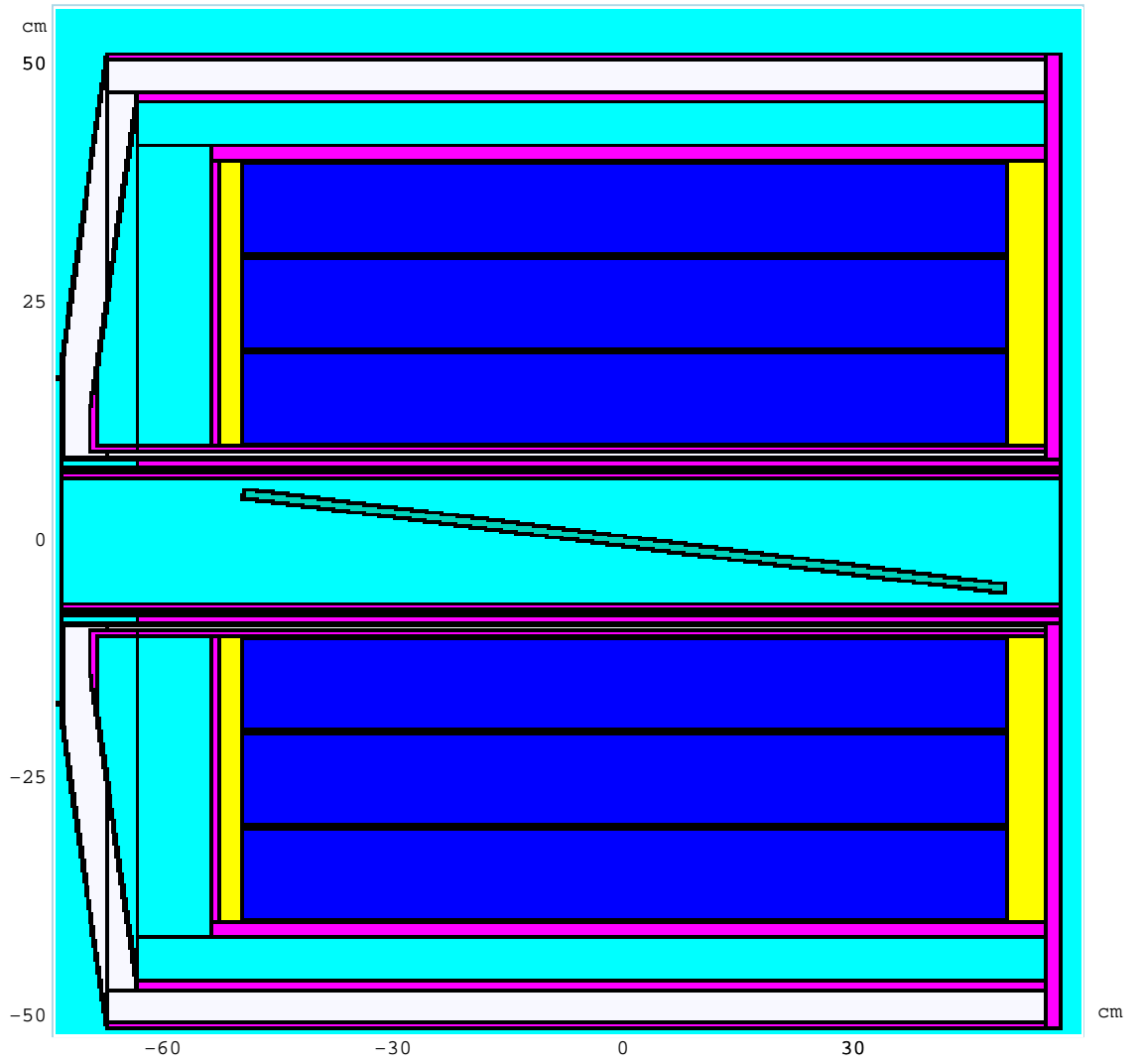
- Mercury vapor analyzer material composition
- Particle detectors

Work to do

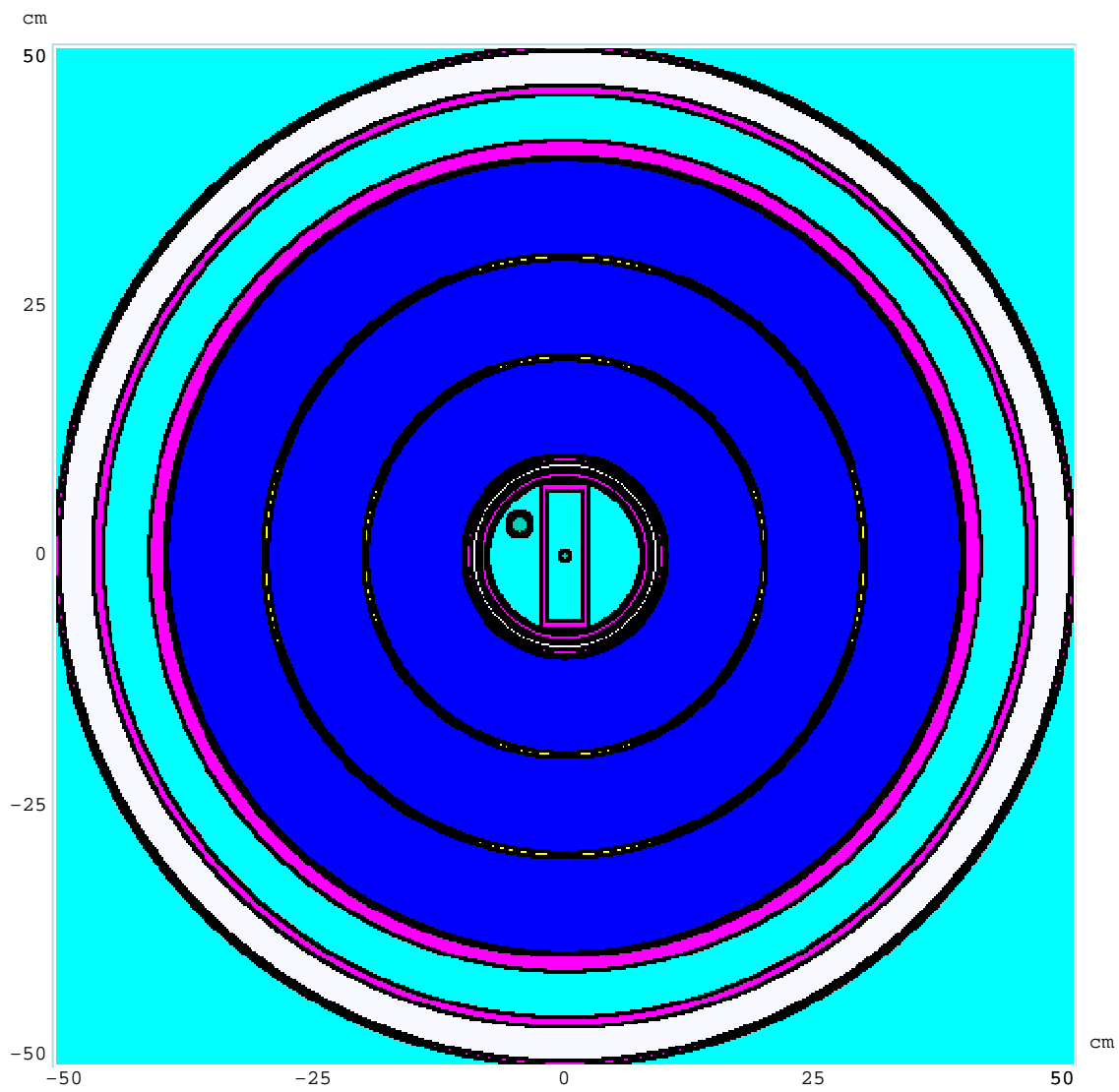
- include beam momentum&spatial distribution
- include 5 beam windows and plenum chamber
- include mercury vapor filter
- include in/out mercury supply tubes in secondary containment
- include beam attenuator and catcher
- include tunnel walls
- include particle detectors



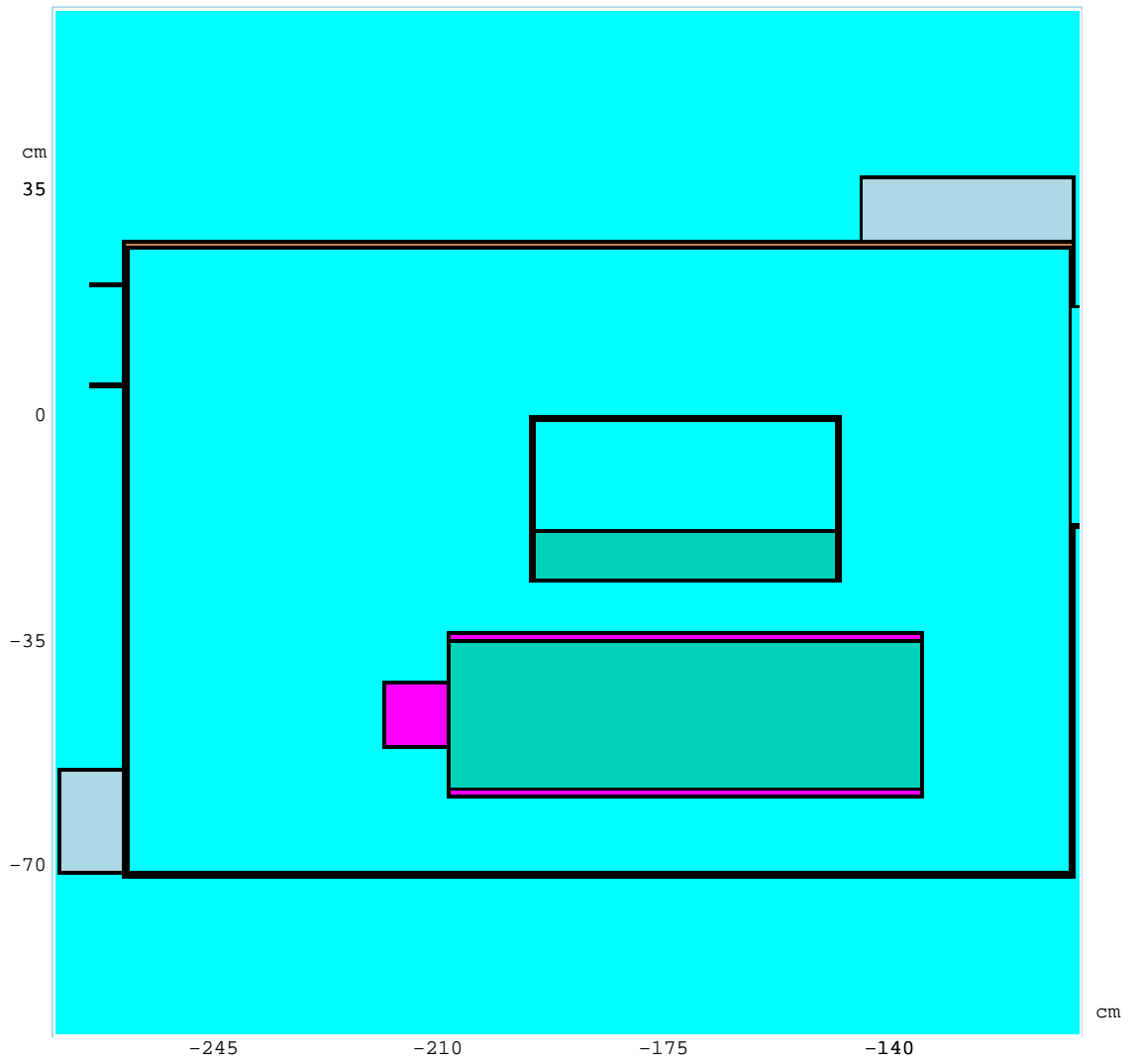
Aspect Ratio: X:Z = 1:1.0



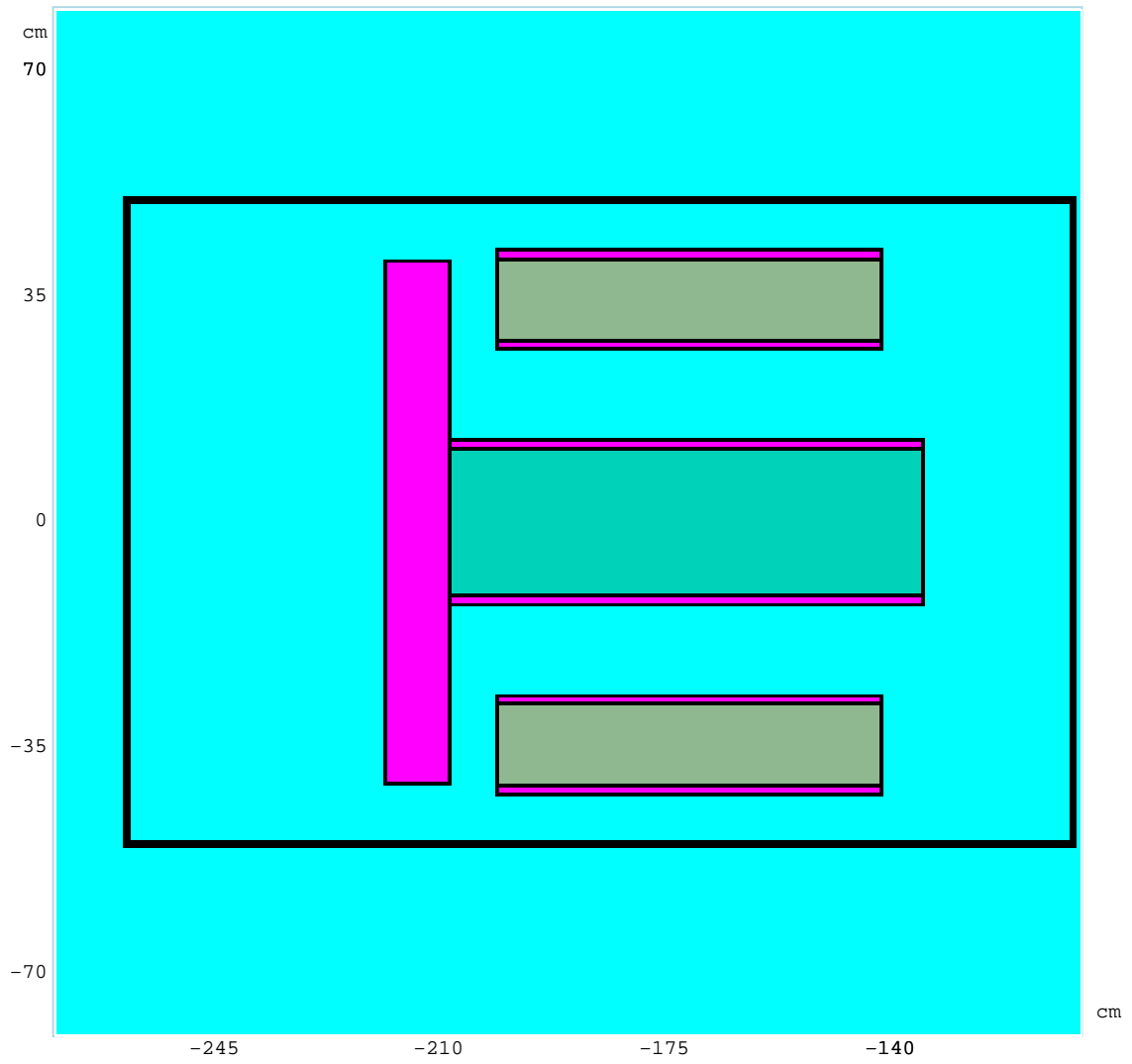
Aspect Ratio: X:Z = 1:1.24431



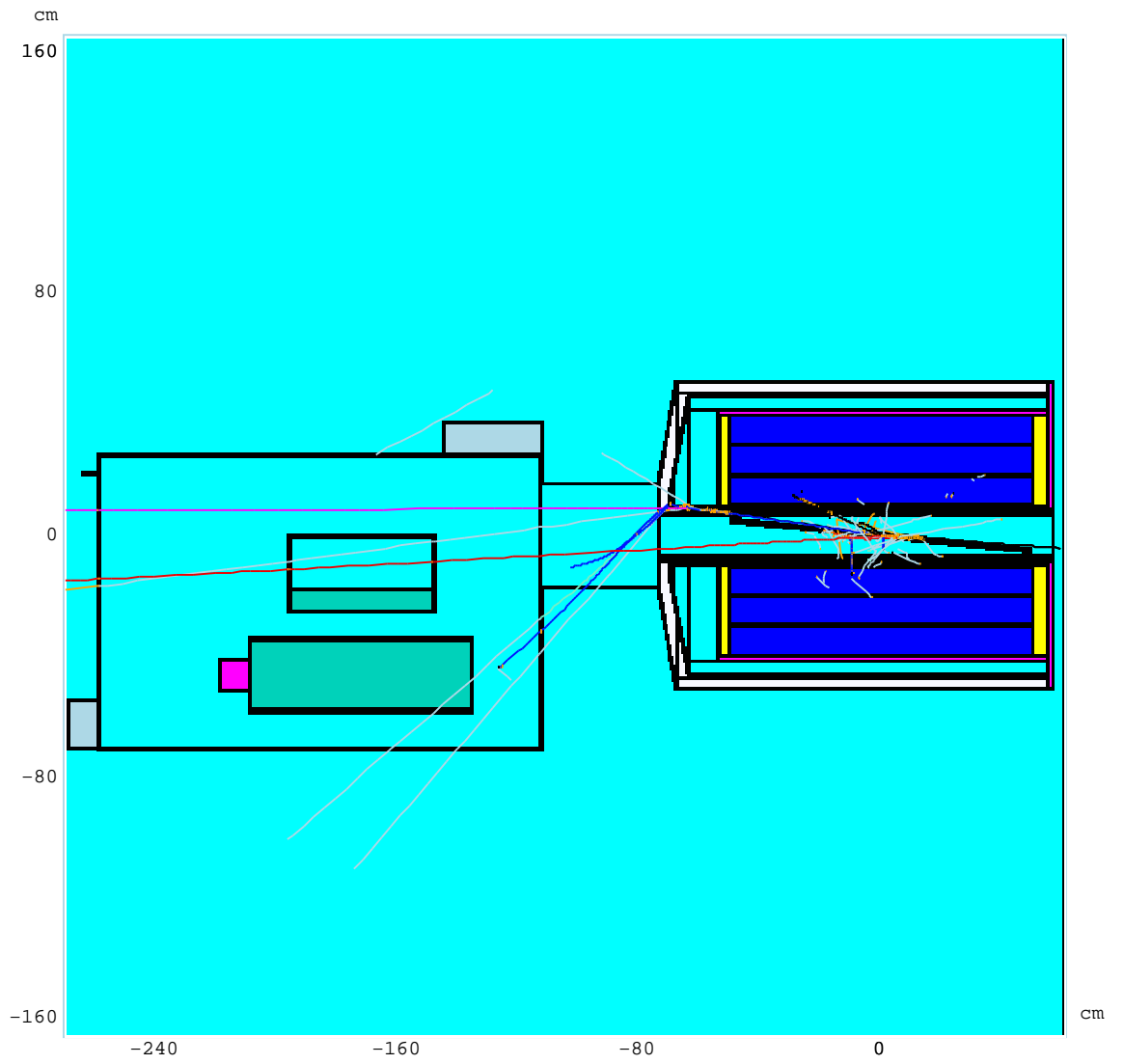
Aspect Ratio: X:Y = 1:1.0



Aspect Ratio: X:Z = 1:1.00000



Aspect Ratio: Y:Z = 1:1.0



Aspect Ratio: X:Z = 1:1.0