

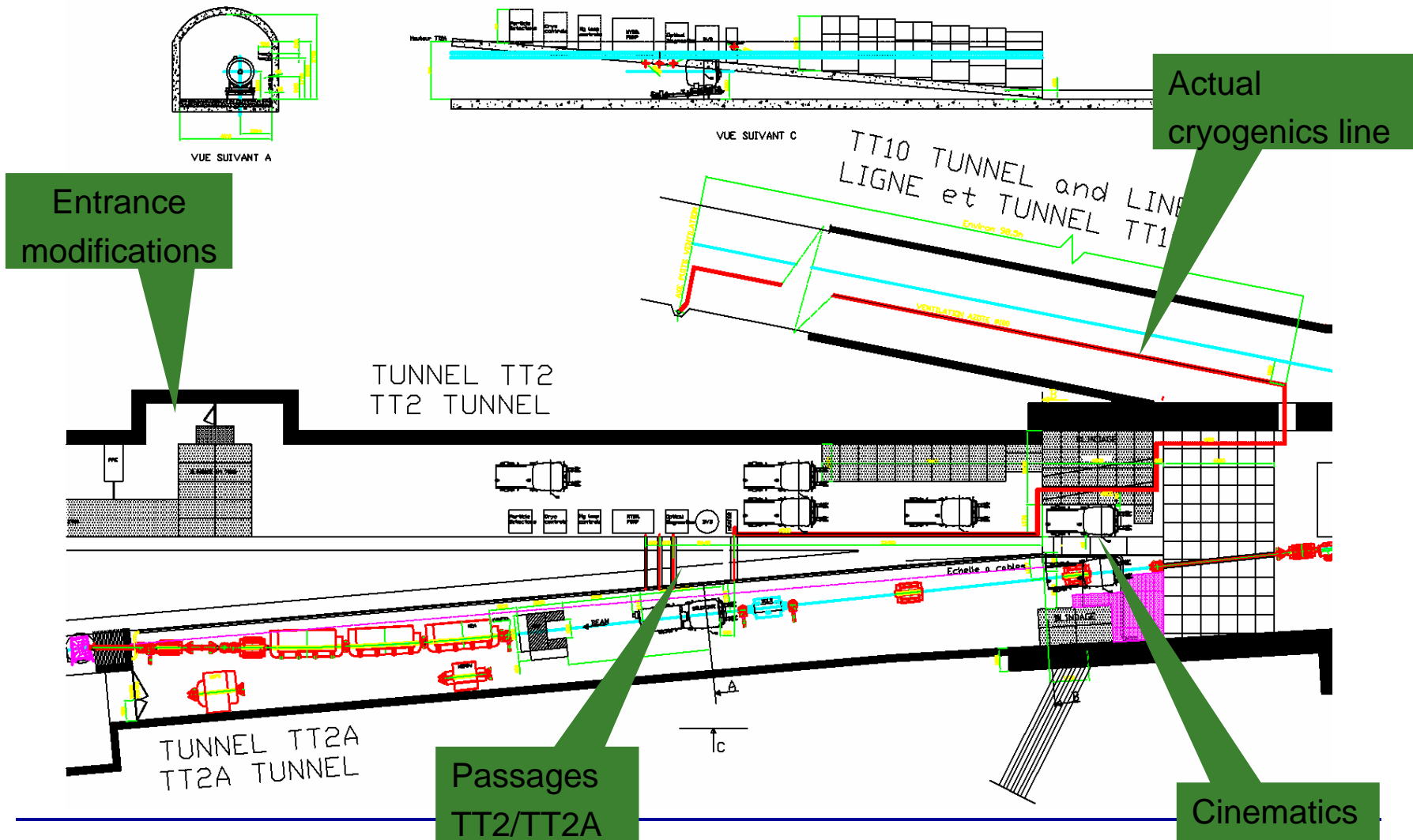


Layout of Passages between TT2 and TT2A

Adrian Fabich, CERN AB-ATB-EA

<http://cern.ch/merit/>

VRVS session, 8th March 2006





Layout of the passages

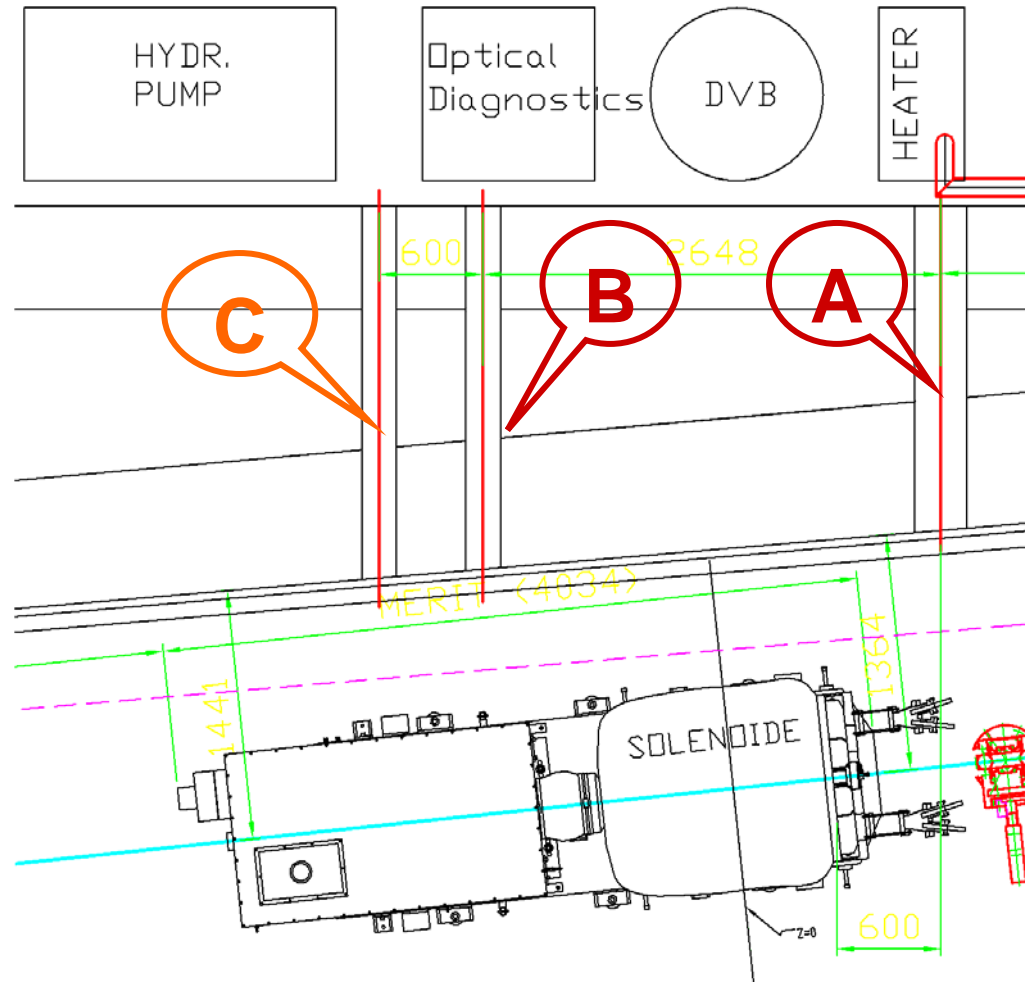


- 3 holes
 - 1x upstream of solenoid: cryogenic lines (dia 30 cm)
 - 2 x downstream of solenoid: other (dia each 20 cm)

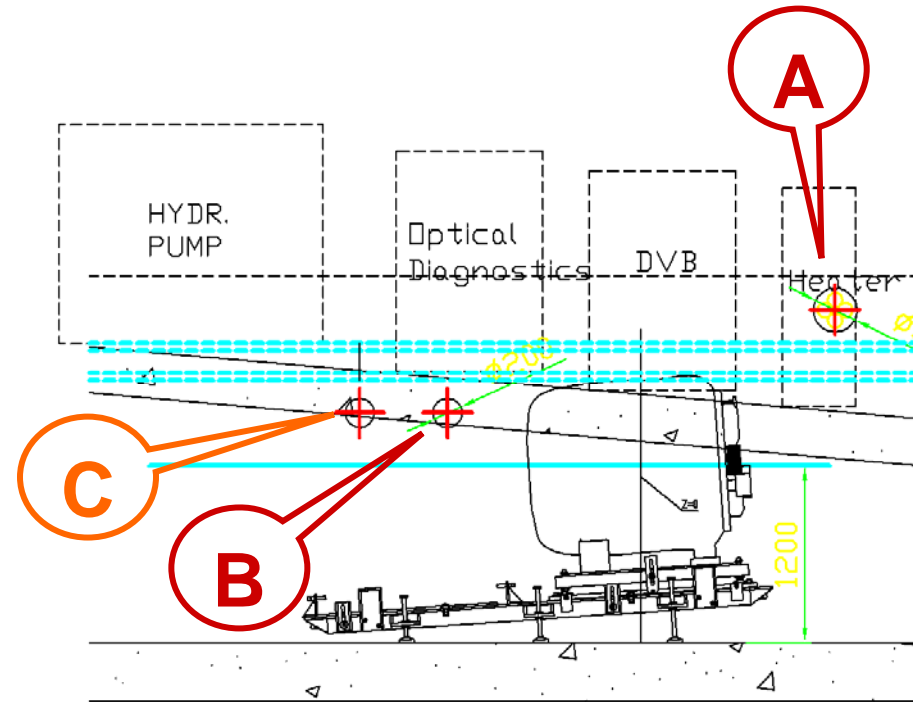
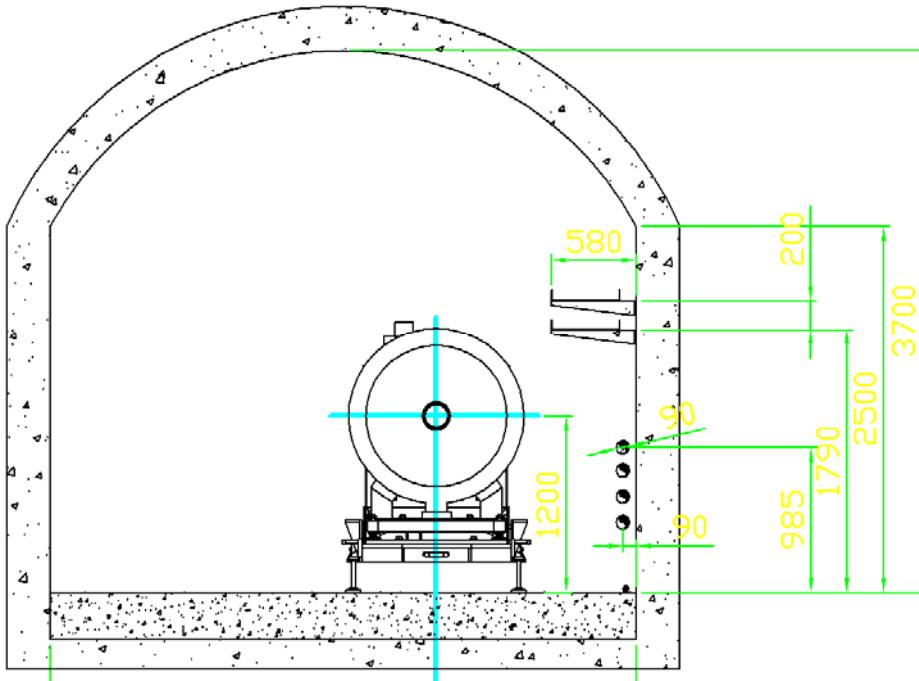
Downstream holes

- 1: fragile parts (fibers, detector signals ...)
 - 2: high pressure hoses
-
- Passages with interior lining of stainless steel

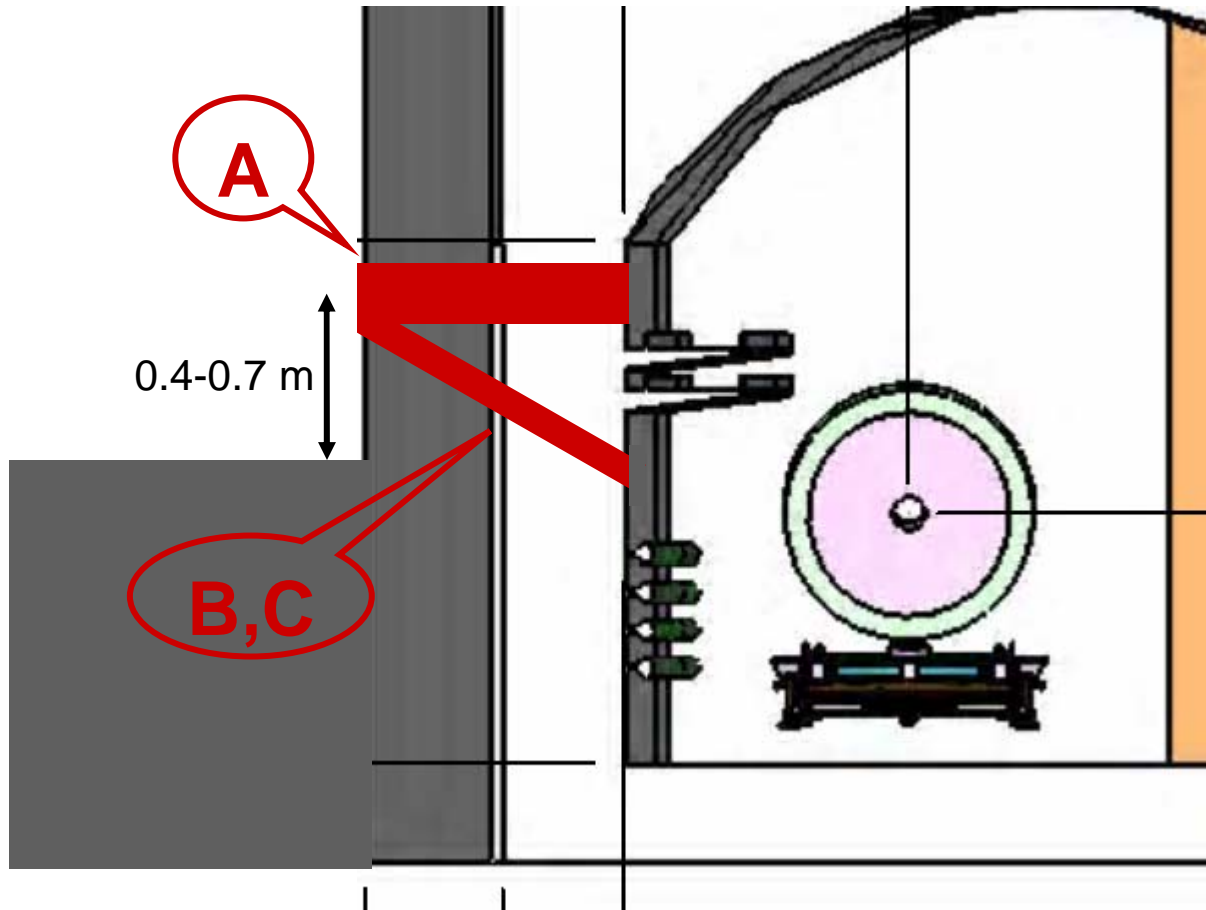
Passages (top view)



Passages (cut view 1)



Passages (cut view 2)





Schedule

