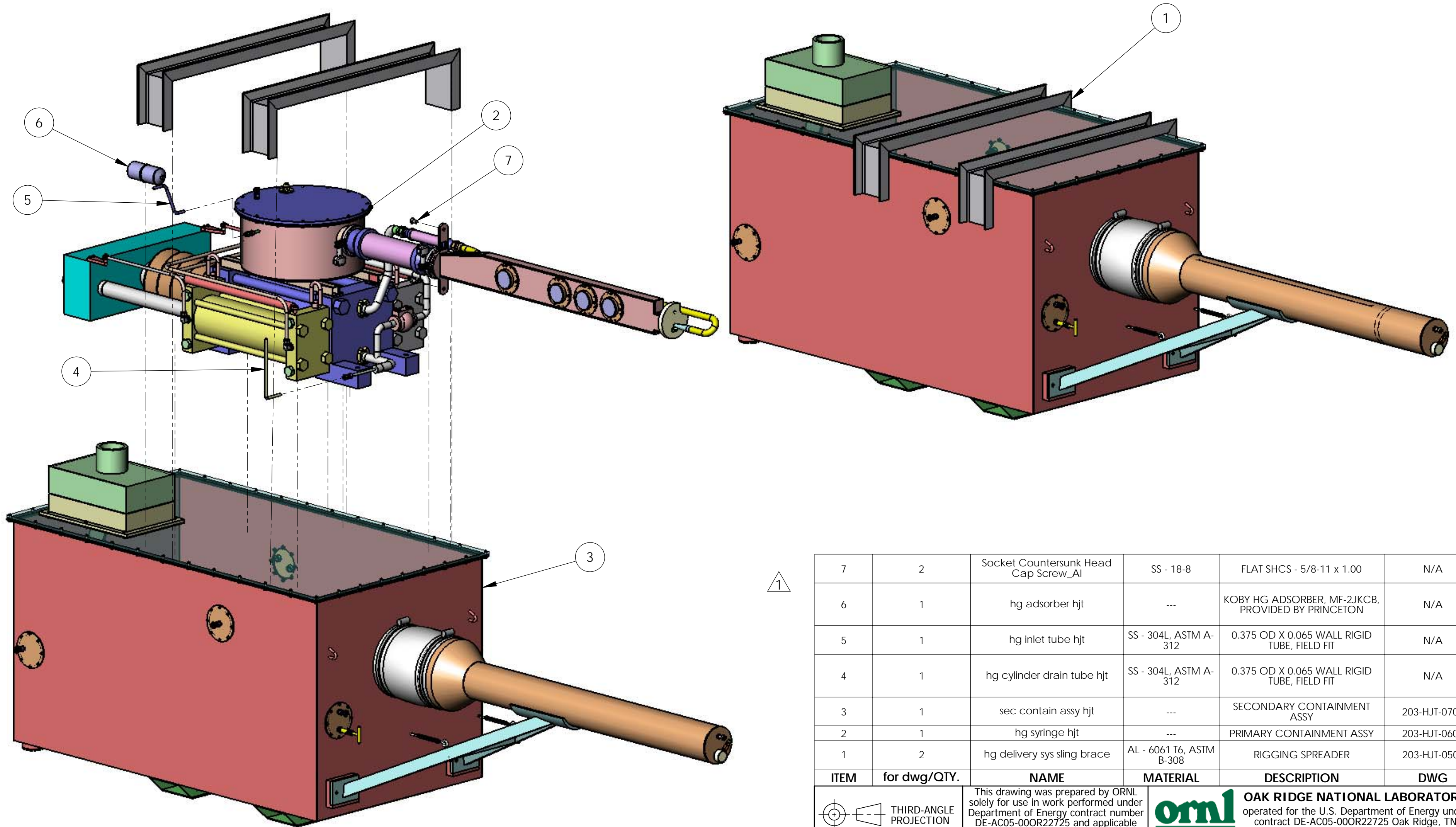


NOTE:  
HG ADSORBER (ITEM 7) ATTACHED TO SIDE WALL OF CONTAINMENT BOX WITH SS STRAPS. FLEX TUBING CONNECTS ADSORBER TO SUMP TANK CHKVALVE AND LID-MOUNTED FILTER



ITEM	for dwg/QTY.	NAME	MATERIAL	DESCRIPTION	DWG
7	2	Socket Countersunk Head Cap Screw_Al	SS - 18-8	FLAT SHCS - 5/8-11 x 1.00	N/A
6	1	hg adsorber hjt	---	KOBY HG ADSORBER, MF-2JKCB, PROVIDED BY PRINCETON	N/A
5	1	hg inlet tube hjt	SS - 304L, ASTM A-312	0.375 OD X 0.065 WALL RIGID TUBE, FIELD FIT	N/A
4	1	hg cylinder drain tube hjt	SS - 304L, ASTM A-312	0.375 OD X 0.065 WALL RIGID TUBE, FIELD FIT	N/A
3	1	sec contain assy hjt	---	SECONDARY CONTAINMENT ASSY	203-HJT-0700
2	1	hg syringe hjt	---	PRIMARY CONTAINMENT ASSY	203-HJT-0600
1	2	hg delivery sys sling brace	AL - 6061 T6, ASTM B-308	RIGGING SPREADER	203-HJT-0501

1

THIRD-ANGLE PROJECTION

UNLESS OTHERWISE NOTED

- ALL DIMENSIONS ARE IN INCHES
- INTERPRET DIMENSIONS AND TOLERANCES PER ASME Y14.5M
- MACHINED FINISH 125 MICRO-INCHES RMS
- CONCENTRICITY .010 TIR
- MACHINED ANGLES ±1/2°  
FORMED ANGLES ±1°
- BREAK SHARP CORNERS AND REMOVE ALL BURRS
- WHOLE NUMBERS AND FRACTIONS ±1/16  
8. X DECIMALS ±.030  
9. XX DECIMALS ±.010  
10. XXX DECIMALS ±.005

This drawing was prepared by ORNL solely for use in work performed under Department of Energy contract number DE-AC05-00OR22725 and applicable Work for Others Agreements and Cooperative Research and Development Agreements. This drawing is property of ORNL and must be returned upon request.

DES	V GRAVES	06/04/2005
DRW	T OQUIN	06/04/2005
CHK	P SPAMPINATO	02/07/2006
ENG	V GRAVES	06/04/2005
QA		

**oak ridge national laboratory**  
operated for the U.S. Department of Energy under contract DE-AC05-00OR22725 Oak Ridge, TN

**NSTB**  
REMOTE SYSTEMS GROUP  
NUCLEAR SCIENCE & TECHNOLOGY DIVISION

**MERIT EXPERIMENT**  
**HG TARGET SYSTEM ASSY**  
**HG DELIVERY SYSTEM ASSY**

CAD FILE	PREV ASSY	SCALE	SHEET
HG DELIVERY SYSTEM HJT	203-HJT-0001	1:12	1 of 1
SIZE	DWG NO.	REV	
C	203-HJT-0500	1	

1	ADDED HG ADSORBER	3/2/2006	VBG	VBG
REV	DESCRIPTION	DATE	BY	APPROVED