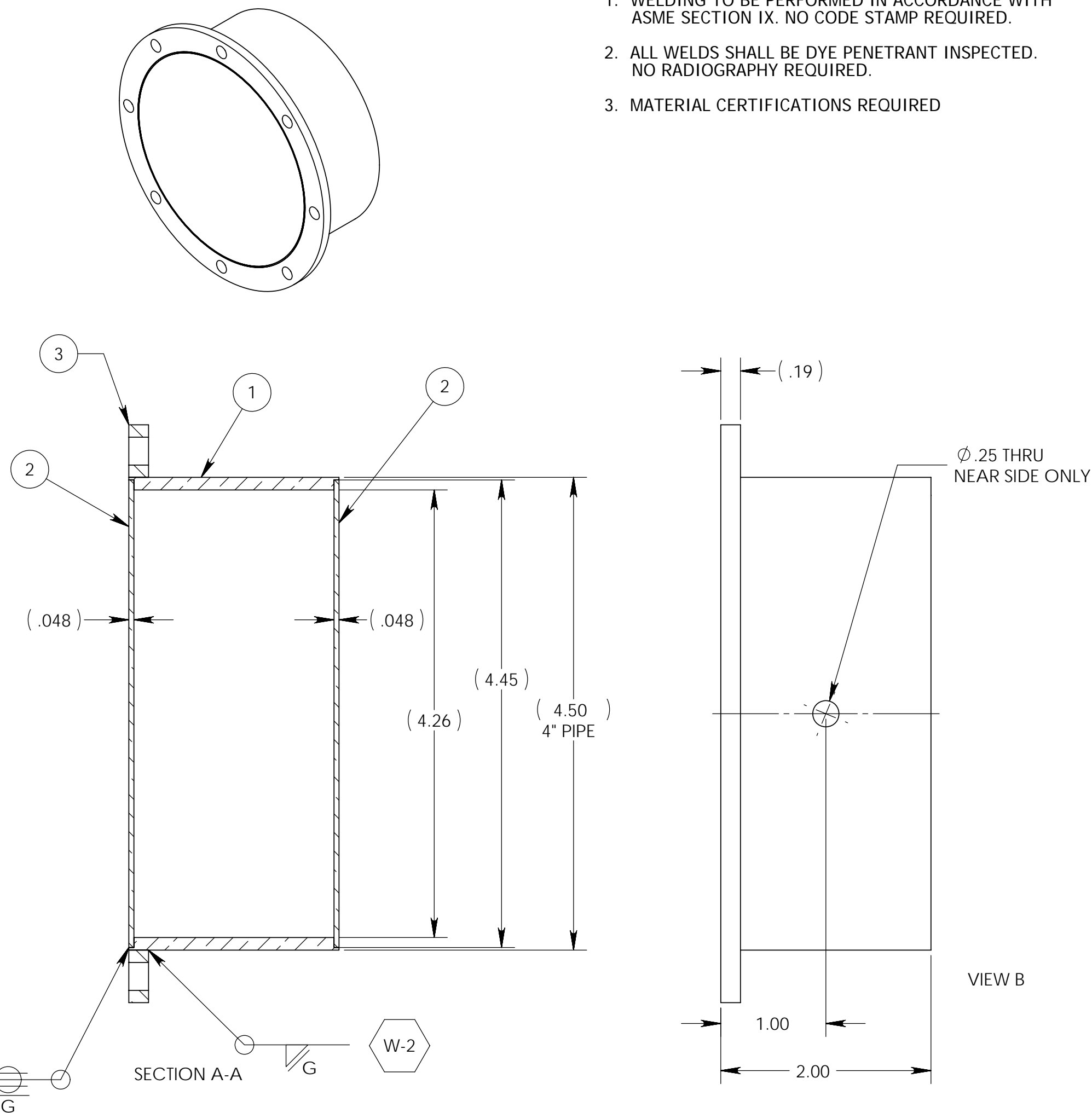
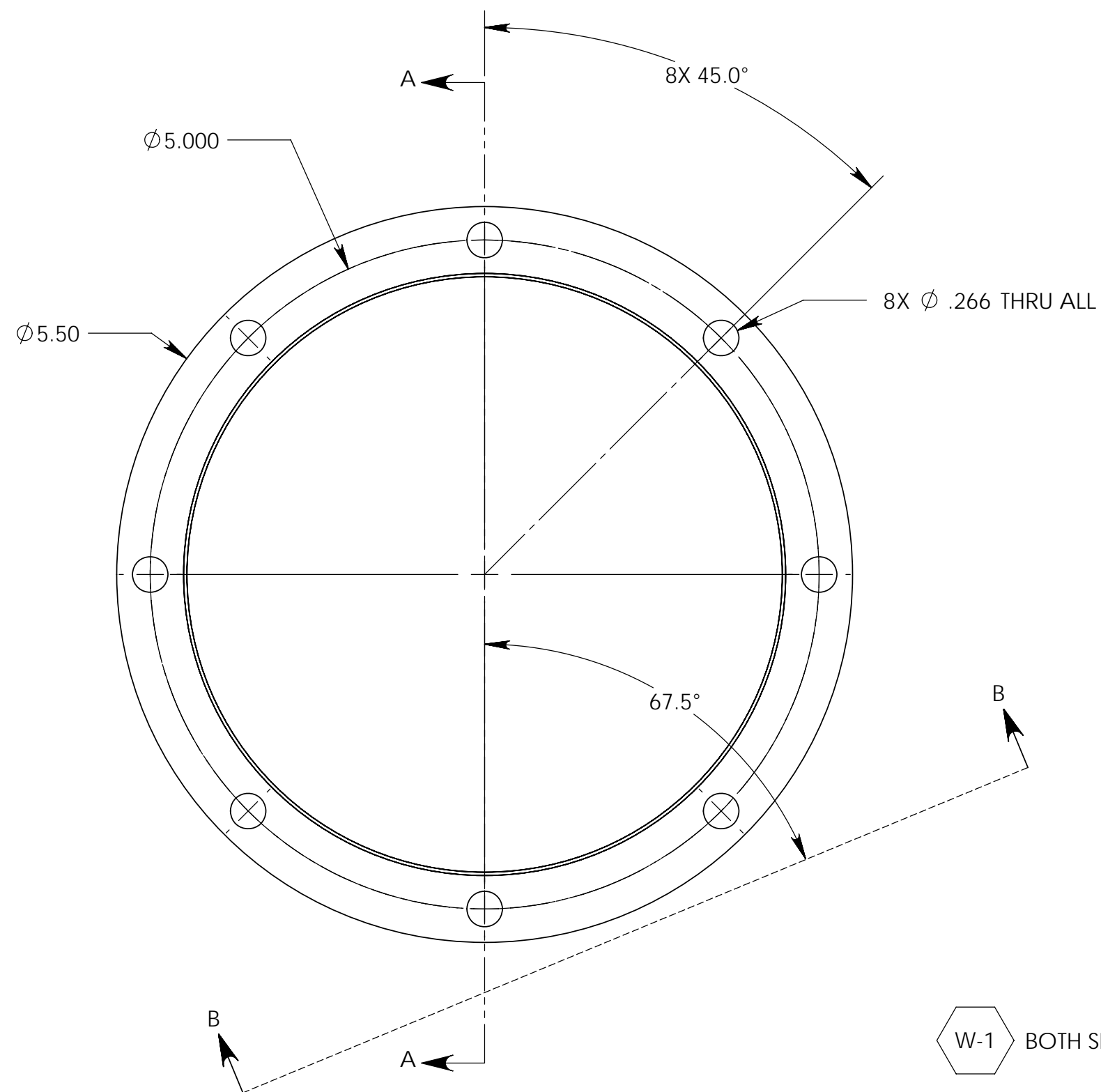


NOTES

1. WELDING TO BE PERFORMED IN ACCORDANCE WITH ASME SECTION IX. NO CODE STAMP REQUIRED.
2. ALL WELDS SHALL BE DYE PENETRANT INSPECTED. NO RADIOGRAPHY REQUIRED.
3. MATERIAL CERTIFICATIONS REQUIRED



W-1 BOTH SIDES

SECTION A-A

W-2

ITEM NO.	QTY.	DESCRIPTION	MATERIAL	LENGTH
3	1	PLATE, 5.50 OD x .19 THK	TI GRADE 2, ASTM B-265	N/A
2	2	18GA SHEET, 4.45 OD	TI-6AL-4V, ASTM B-265	N/A
1	1	PIPE, SCH 10	TI GRADE 2, ASTM B-265	2.00



THIRD-ANGLE PROJECTION

UNLESS OTHERWISE NOTED

1. ALL DIMENSIONS ARE IN INCHES
2. INTERPRET DIMENSIONS AND TOLERANCES PER ASME Y14.5M
3. MACHINED FINISH 125 MICRO-INCHES RMS
4. CONCENTRICITY .010 TIR
5. MACHINED ANGLES ±1/2°
6. FORMED ANGLES ±1°
7. BREAK SHARP CORNERS AND REMOVE ALL BURRS
8. WHOLE NUMBERS AND FRACTIONS ±1/16
9. X DECIMALS ±.030
10. XX DECIMALS ±.010
11. XXX DECIMALS ±.005

This drawing was prepared by ORNL solely for use in work performed under Department of Energy contract number DE-AC05-00OR22725 and applicable Work for Others Agreements and Cooperative Research and Development Agreements. This drawing is property of ORNL and must be returned upon request.

DES	DATE
V GRAVES	09/26/2005
T OQUIN	09/26/2005
P SPAMPINATO	01/17/2006
V GRAVES	09/26/2005
QA	

oml OAK RIDGE NATIONAL LABORATORY
operated for the U.S. Department of Energy under contract DE-AC05-00OR22725 Oak Ridge, TN

NSTB REMOTE SYSTEMS GROUP
NUCLEAR SCIENCE & TECHNOLOGY DIVISION

MERIT EXPERIMENT
SECONDARY CONTAINMENT ASSY
DBL WINDOW WELDMENT - DOWNSTREAM

CAD FILE	PREV ASSY	SCALE	SHEET
DOUBLE WINDOW HJT	203-HJT-0706	1:1	1 of 1
SIZE	DWG NO.	REV	
C	203-HJT-0707	0	

DRAWING APPROVALS DATE