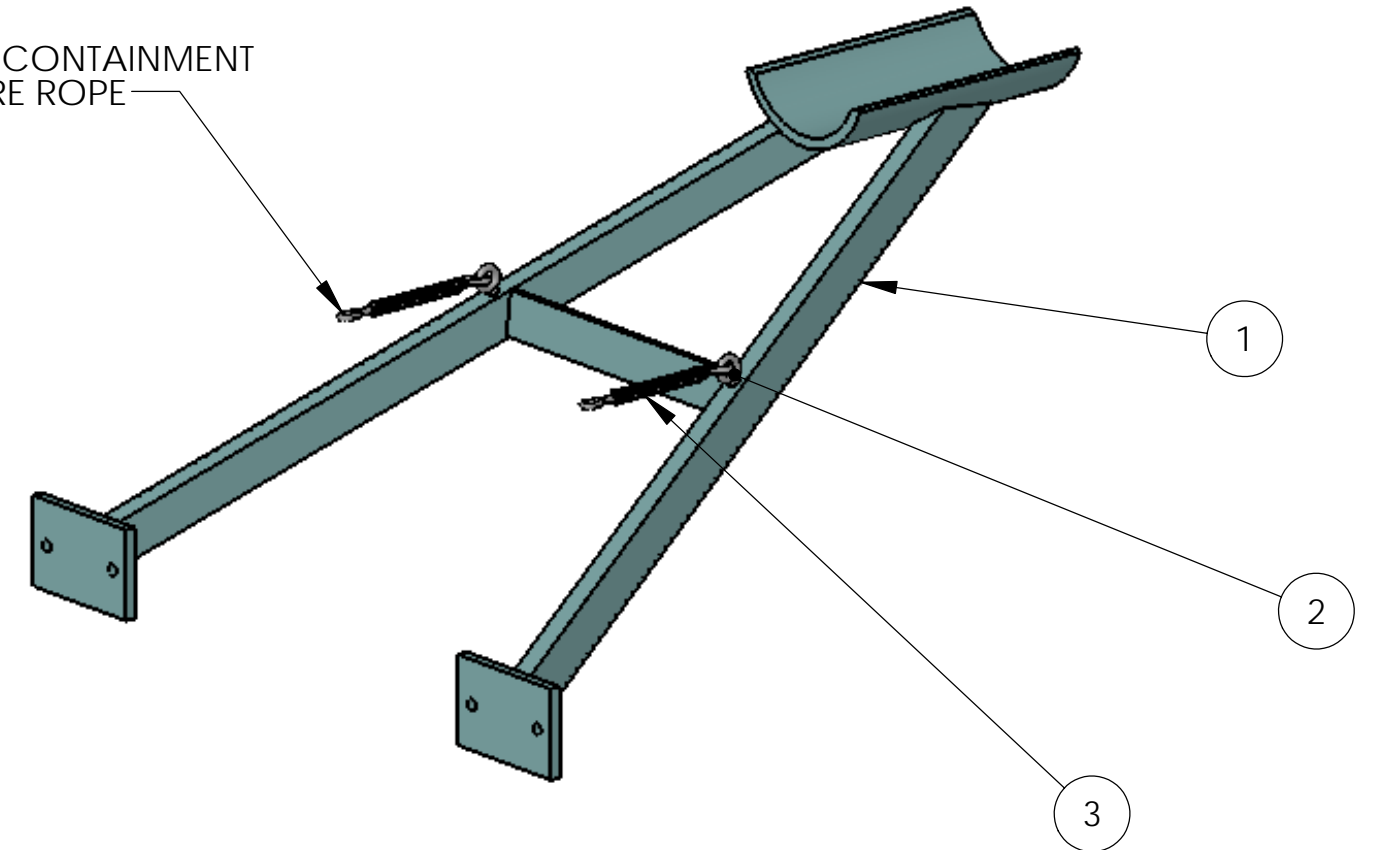


TURNBUCKLES TO BE ATTACHED TO CONTAINMENT BOX (203-HJT-0701) USING 5/16 WIRE ROPE



ITEM	QTY	NAME	MATERIAL	DESCRIPTION	DWG
3	2	3022T611	STEEL	TURNBUCKLE, MCMaster-CARR 3022T61	N/A
2	2	3018T150	STEEL	EYEBOLT, MCMaster-CARR 3018T15	N/A
1	1	SUPPORT CRADLE HJT	AL 6061-T6511, ASTM B-221	SECONDARY TUBE SUPPORT CRADLE	203-HJT-0721

<p>THIRD-ANGLE PROJECTION</p>	This drawing was prepared by ORNL solely for use in work performed under Department of Energy contract number DE-AC05-00OR22725 and applicable Work for Others Agreements and Cooperative Research and Development Agreements. This drawing is property of ORNL and must be returned upon request.		<p><b>OAK RIDGE NATIONAL LABORATORY</b> operated for the U.S. Department of Energy under contract DE-AC05-00OR22725 Oak Ridge, TN</p>			
	UNLESS OTHERWISE NOTED 1. ALL DIMENSIONS ARE IN INCHES 2. INTERPRET DIMENSIONS AND TOLERANCES PER ASME Y14.5M 3. MACHINED FINISH 125 MICRO-INCHES RMS 4. CONCENTRICITY .010 TIR 5. MACHINED ANGLES ±1/2° 6. FORMED ANGLES ±1° 7. BREAK SHARP CORNERS AND REMOVE ALL BURRS 8. X DECIMALS ±.030 9. XX DECIMALS ±.010 10. XXX DECIMALS ±.005		<p><b>REMOTE SYSTEMS GROUP</b> NUCLEAR SCIENCE &amp; TECHNOLOGY DIVISION</p>			
DES	V GRAVES	01/16/2006	<p align="center"><b>MERIT EXPERIMENT</b> <b>SECONDARY CONTAINMENT ASSEMBLY</b> <b>TUBE SUPPORT ASSEMBLY</b></p>			
DRW						
CHK	P SPAMPINATO	01/17/2006				
ENG	V GRAVES	01/16/2006				
QA			CAD FILE CRADLE ASSY HJT	PREV ASSY 203-HJT-0700	SCALE 1:8	SHEET 1 of 1
DRAWING APPROVALS		DATE	SIZE C	DWG NO. 203-HJT-0720	REV 0	