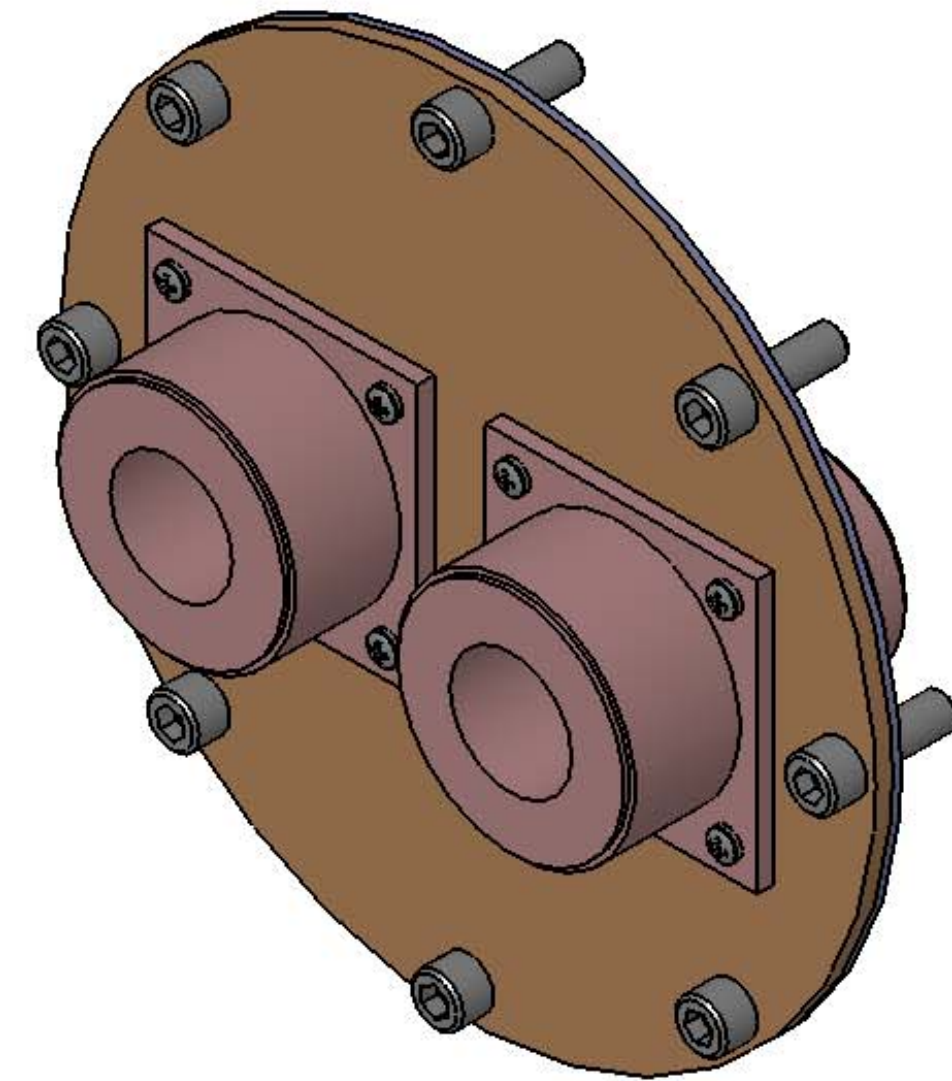
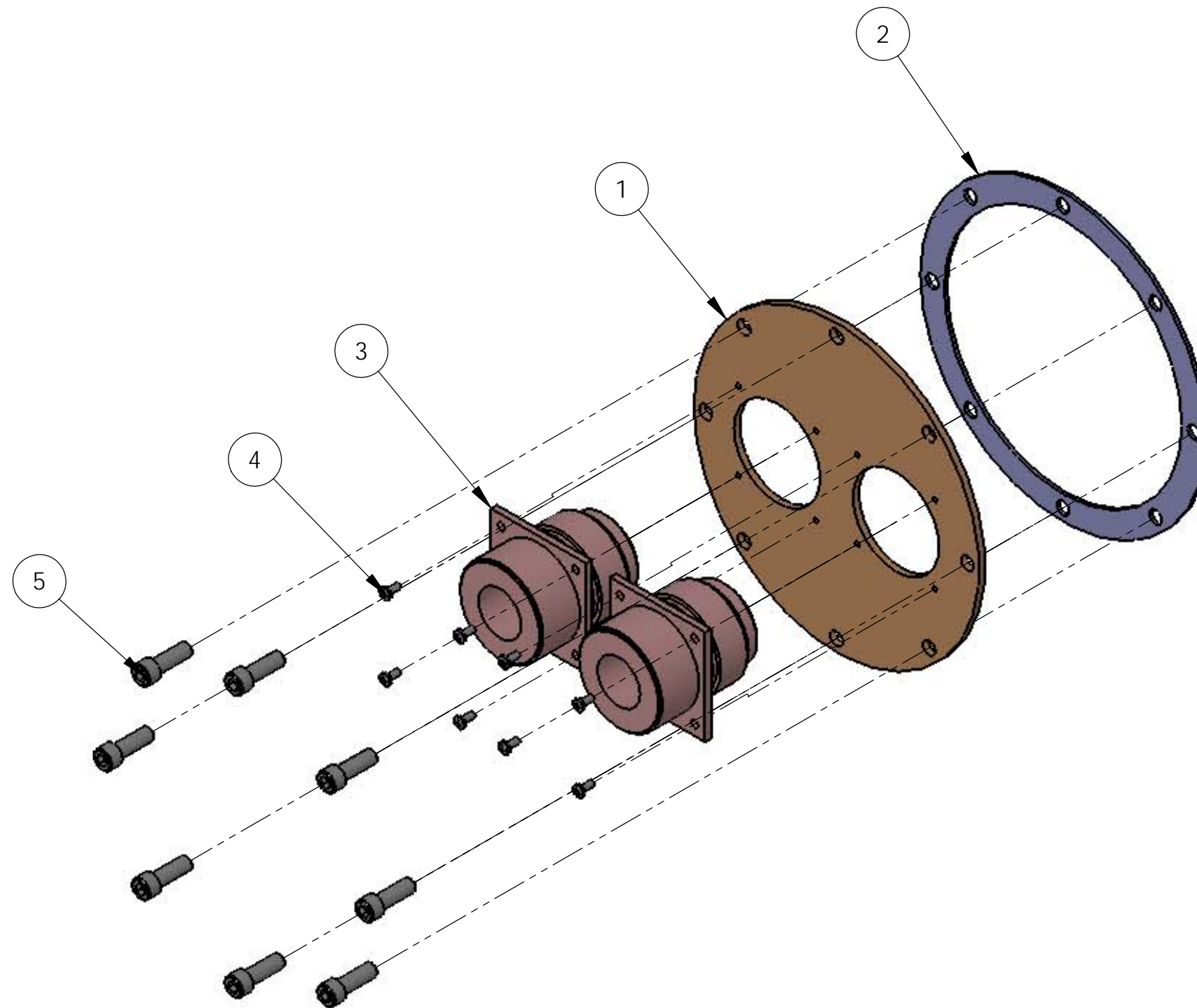


NOTE:



OTHER AMPHENOL CONNECTORS REQUIRED -  
 MS-3108A-28-12-P (2EA)  
 MS-3108A-28-12-S (2EA)  
 MS-3106E-28-12-S (3EA)



ITEM	Default/QTY.	NAME	MATERIAL	DESCRIPTION	DWG
5	8	HX-SHCS 0.25-20x0.75x0.75-N	SS - 18-8	.25-20 X .75 SHCS	N/A
4	8	CR-PHMS 0.112-40x0.25x0.25-N	SS - 316	PAN CROSS HEAD MACHINE SCREW - 4-40 x 1/4	N/A
3	2	Amphenol 97-4100	---	AMPHENOL MS3102E-28-12P	N/A
2	1	connector plate gasket hjt	1/16" BUNA-N SHEET. 50A	MCMMASTER-CARR #86715K279	203-HJT-0732
1	1	electrical plate	SS - 304L, ASTM A-240	PLATE, 6.000 DIA X .125 THK	203-HJT-0771



THIRD-ANGLE PROJECTION

UNLESS OTHERWISE NOTED

- ALL DIMENSIONS ARE IN INCHES
- INTERPRET DIMENSIONS AND TOLERANCES PER ASME Y14.5M
- MACHINED FINISH 125 MICRO-INCHES RMS
- CONCENTRICITY .010 TIR
- MACHINED ANGLES ±1/2°  
FORMED ANGLES ±1°
- BREAK SHARP CORNERS AND REMOVE ALL BURRS
- WHOLE NUMBERS AND FRACTIONS ±1/16  
X DECIMALS ±.030  
XX DECIMALS ±.010  
XXX DECIMALS ±.005

This drawing was prepared by ORNL solely for use in work performed under Department of Energy contract number DE-AC05-00OR22725 and applicable Work for Others Agreements and Cooperative Research and Development Agreements. This drawing is property of ORNL and must be returned upon request.

DES	V GRAVES	01/06/2006
DRW	T OQUIN	01/06/2006
CHK	P SPAMPINATO	01/17/2006
ENG	V GRAVES	01/06/2006
QA		

**oml** OAK RIDGE NATIONAL LABORATORY  
 operated for the U.S. Department of Energy under contract DE-AC05-00OR22725 Oak Ridge, TN

**NSTB** REMOTE SYSTEMS GROUP  
 NUCLEAR SCIENCE & TECHNOLOGY DIVISION

**MERIT EXPERIMENT  
 SECONDARY CONTAINMENT ASSY  
 CONNECTOR PLATE ASSY - SENSORS**

1	CHANGED AMPHENOL PART NOS	3/29/2006	VBG	VBG
REV	DESCRIPTION	DATE	BY	APPROVED

CAD FILE CONNECTOR PLATE ASSY HJT	PREV ASSY 203-HJT-0700	SCALE 1:2	SHEET 1 of 1
SIZE C	DWG NO. 203-HJT-0770	REV 1	