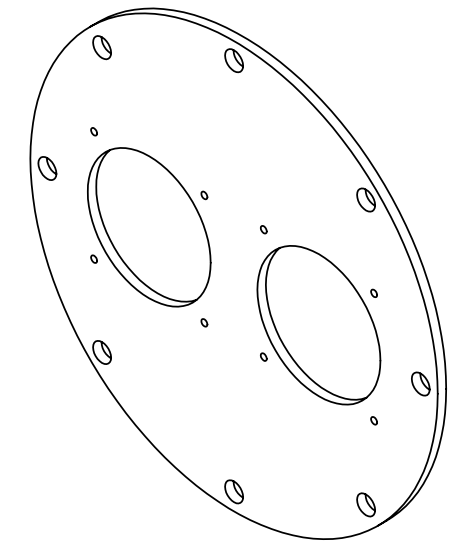
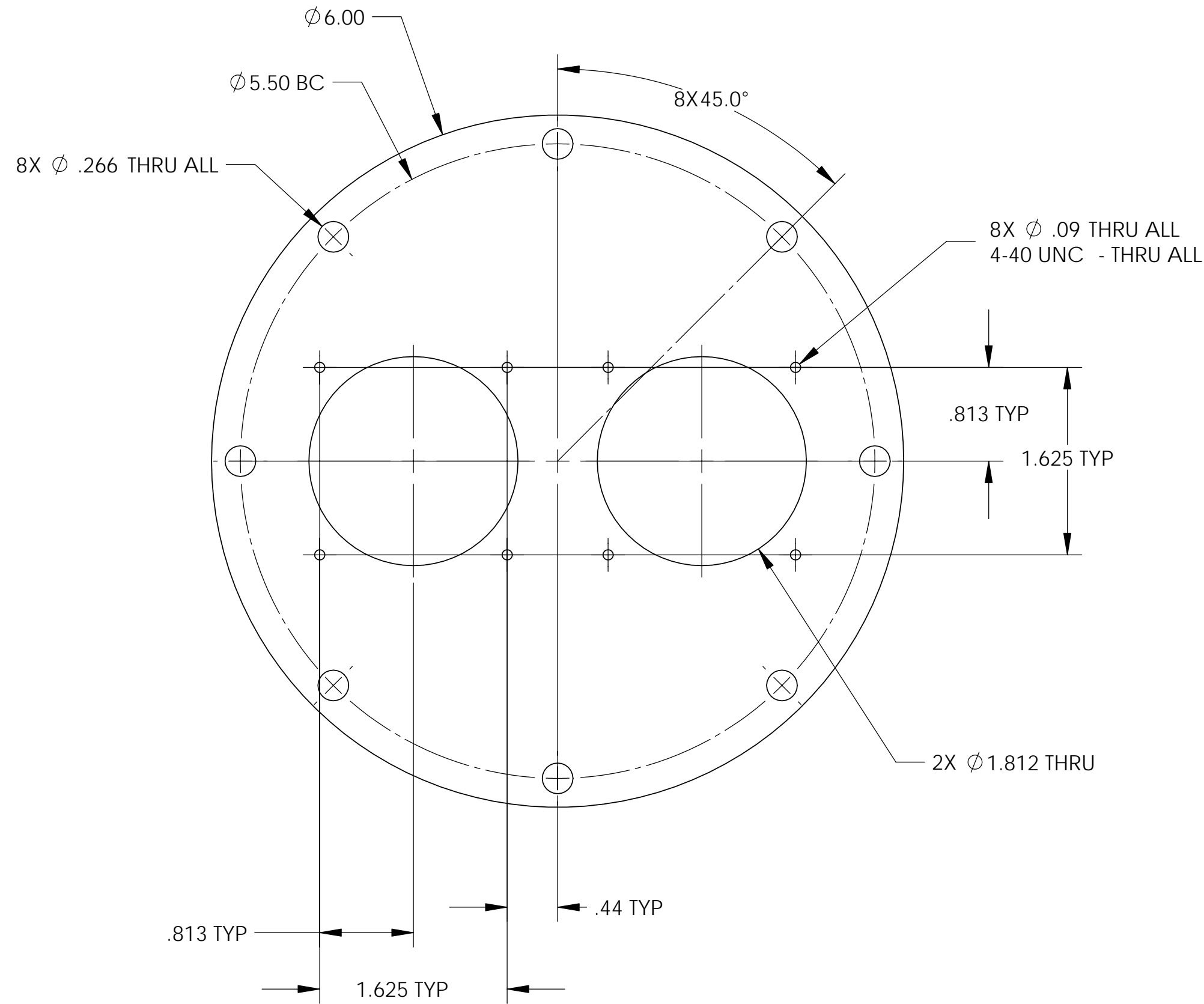


NOTES

1. MATERIAL CERTIFICATIONS REQUIRED



MATERIAL: SS - 304L, ASTM A-240

<p>THIRD-ANGLE PROJECTION</p>	This drawing was prepared by ORNL solely for use in work performed under Department of Energy contract number DE-AC05-00OR22725 and applicable Work for Others Agreements and Cooperative Research and Development Agreements. This drawing is property of ORNL and must be returned upon request.			<p>OAK RIDGE NATIONAL LABORATORY operated for the U.S. Department of Energy under contract DE-AC05-00OR22725 Oak Ridge, TN</p>	
	UNLESS OTHERWISE NOTED 1. ALL DIMENSIONS ARE IN INCHES 2. INTERPRET DIMENSIONS AND TOLERANCES PER ASME Y14.5M 3. MACHINED FINISH 125 MICRO-INCHES RMS 4. CONCENTRICITY .010 TIR 5. MACHINED ANGLES ±1/2° 6. BREAK SHARP CORNERS AND REMOVE ALL BURRS 7. WHOLE NUMBERS AND FRACTIONS ±1/16 8. X DECIMALS ±.030 9. XX DECIMALS ±.010 10. XXX DECIMALS ±.005			<p>REMOTE SYSTEMS GROUP NUCLEAR SCIENCE & TECHNOLOGY DIVISION</p>	
DES V GRAVES 01/06/2006 DRW T OQUIN 01/06/2006 CHK P SPAMPINATO 01/17/2006 ENG V GRAVES 01/06/2006 QA			<p>MERIT EXPERIMENT SECONDARY CONTAINMENT ASSY SENSOR CONNECTOR PLATE</p>		
DRAWING APPROVALS DATE			CAD FILE CONNECTOR PLATE HJT SIZE DWG NO.	PREV ASSY 203-HJT-0730 SCALE 1:1	SHEET 1 of 1 REV 0
			203-HJT-0771		0