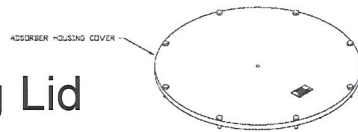


SNS Mercury Adsorber Layout

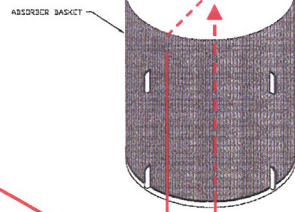
Adsorber Housing Lid



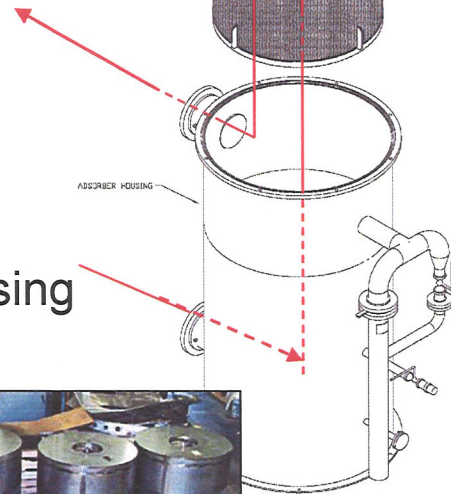
Hoist Ring



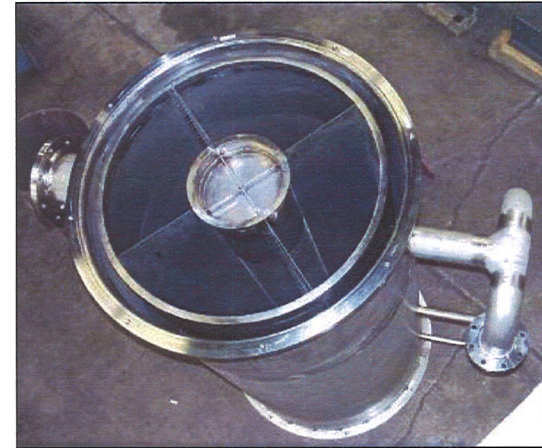
Adsorber Basket



Adsorber Cartridge



Adsorber Housing



1.2 m dia x
2.5 m high

Plan View of Adsorber Installation

Adsorber Vault: 6 meters 12 meters 4.5 meters high

