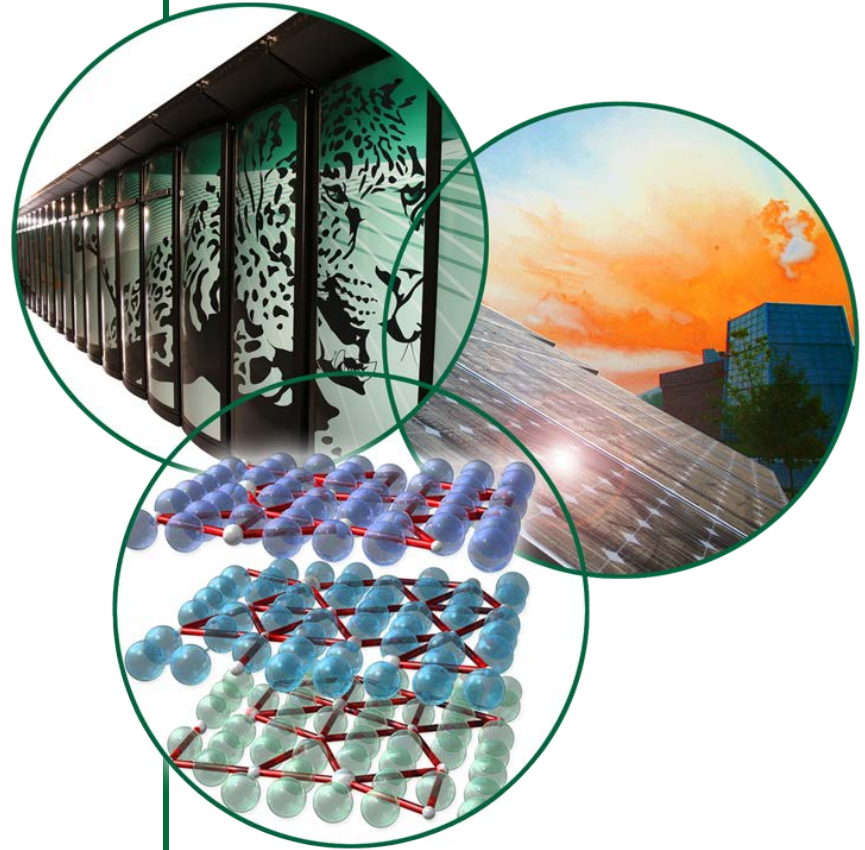


IDS120_20to1.5T7M2+5 Images

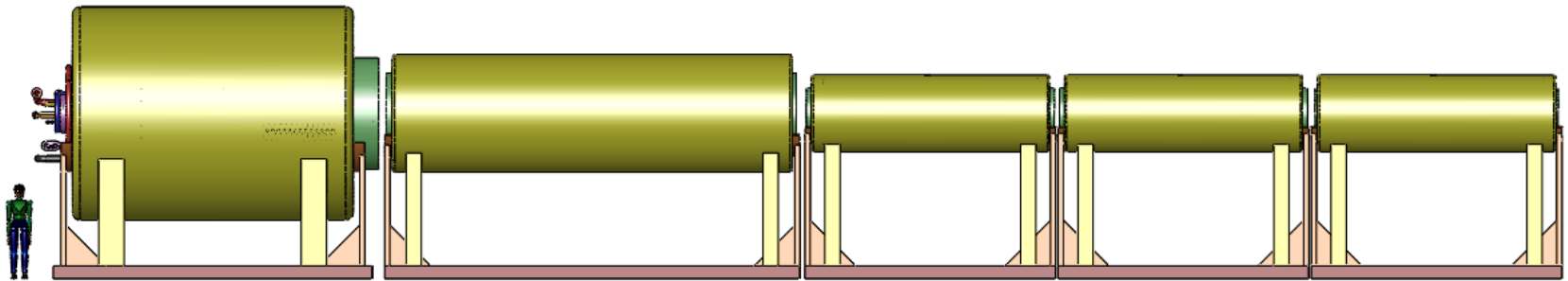
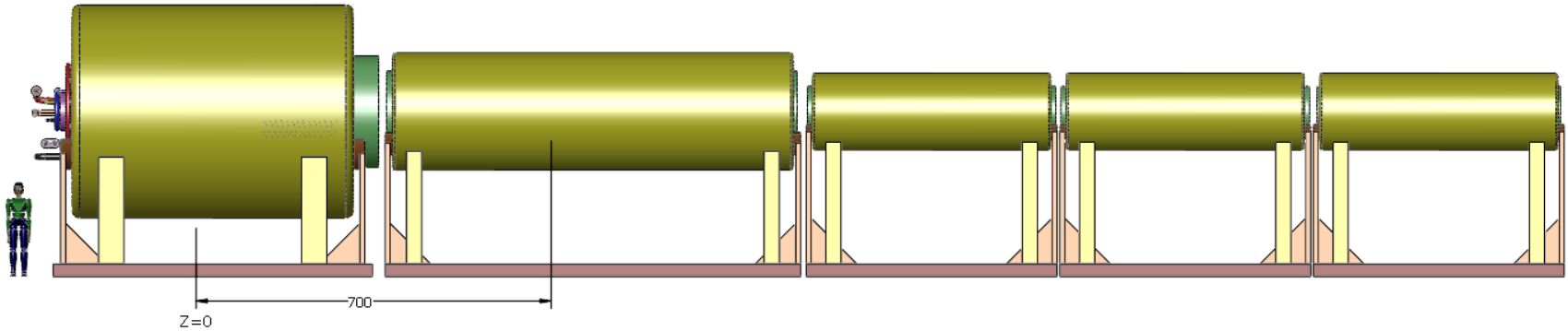
V. Graves

Target Studies

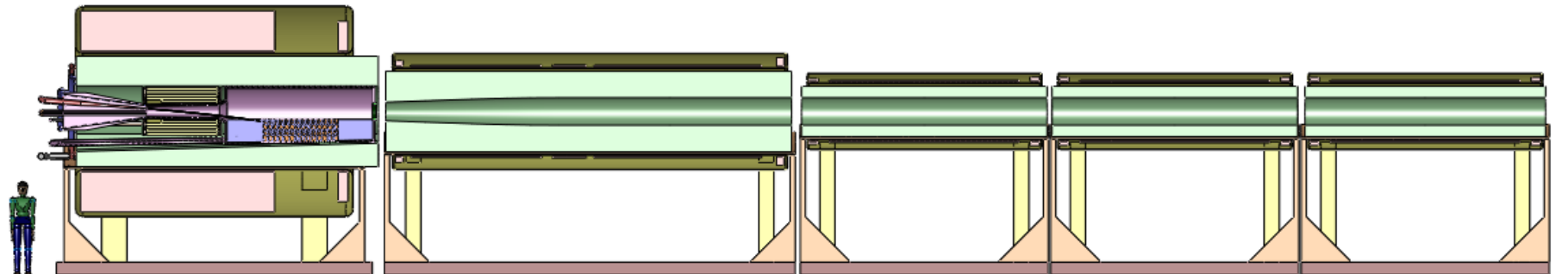
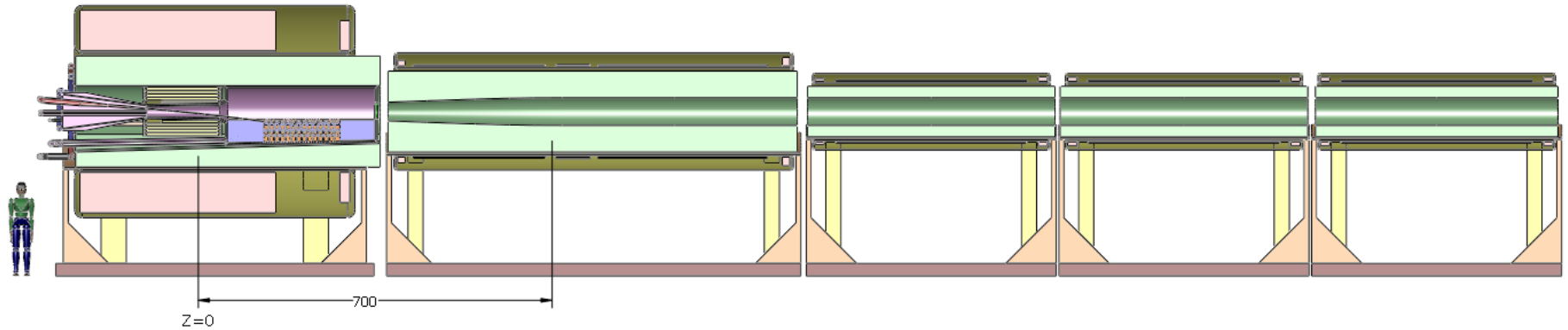
May 2, 2013



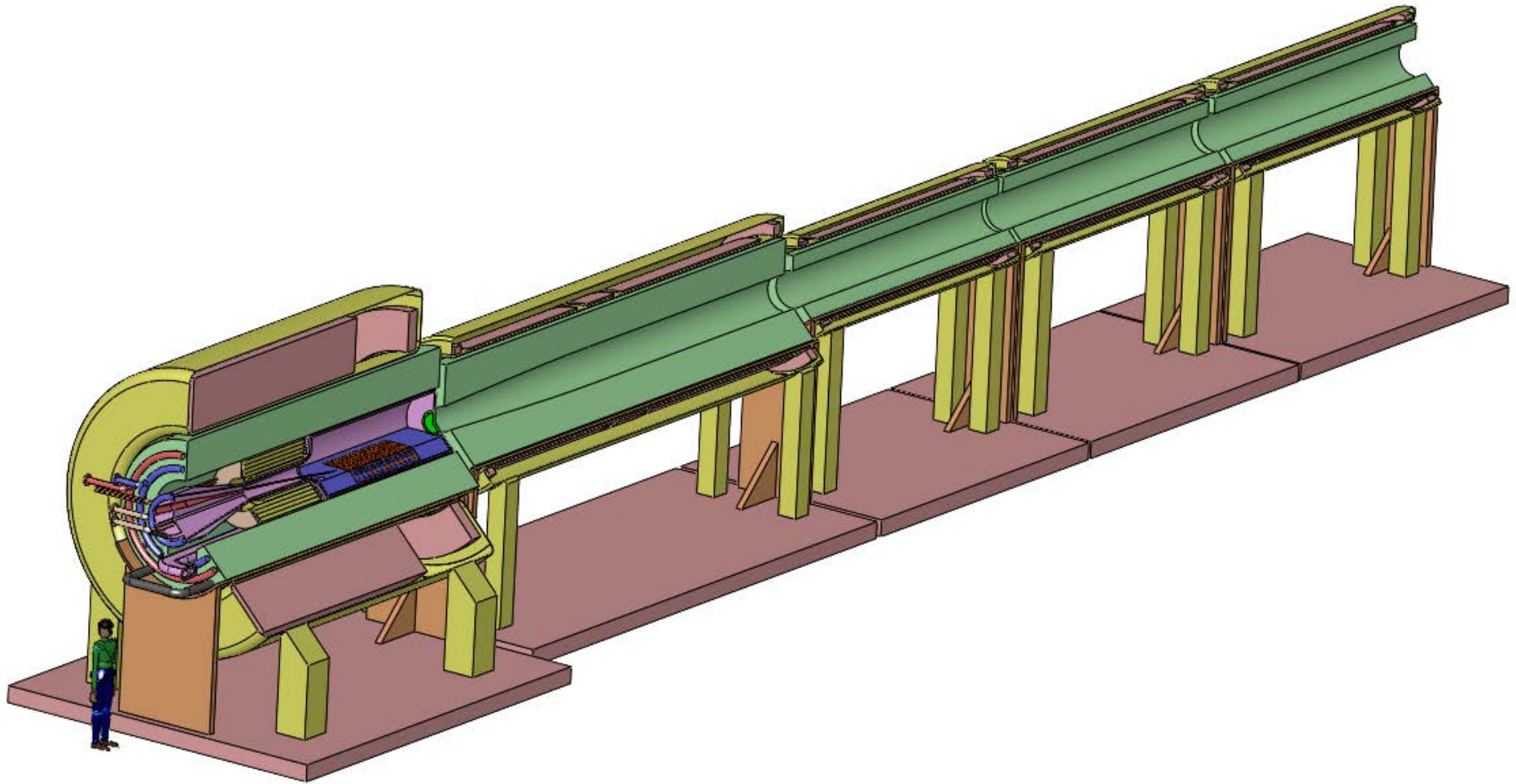
IDS120_20-1.5T7m2+5 Front View (with & without dimension)



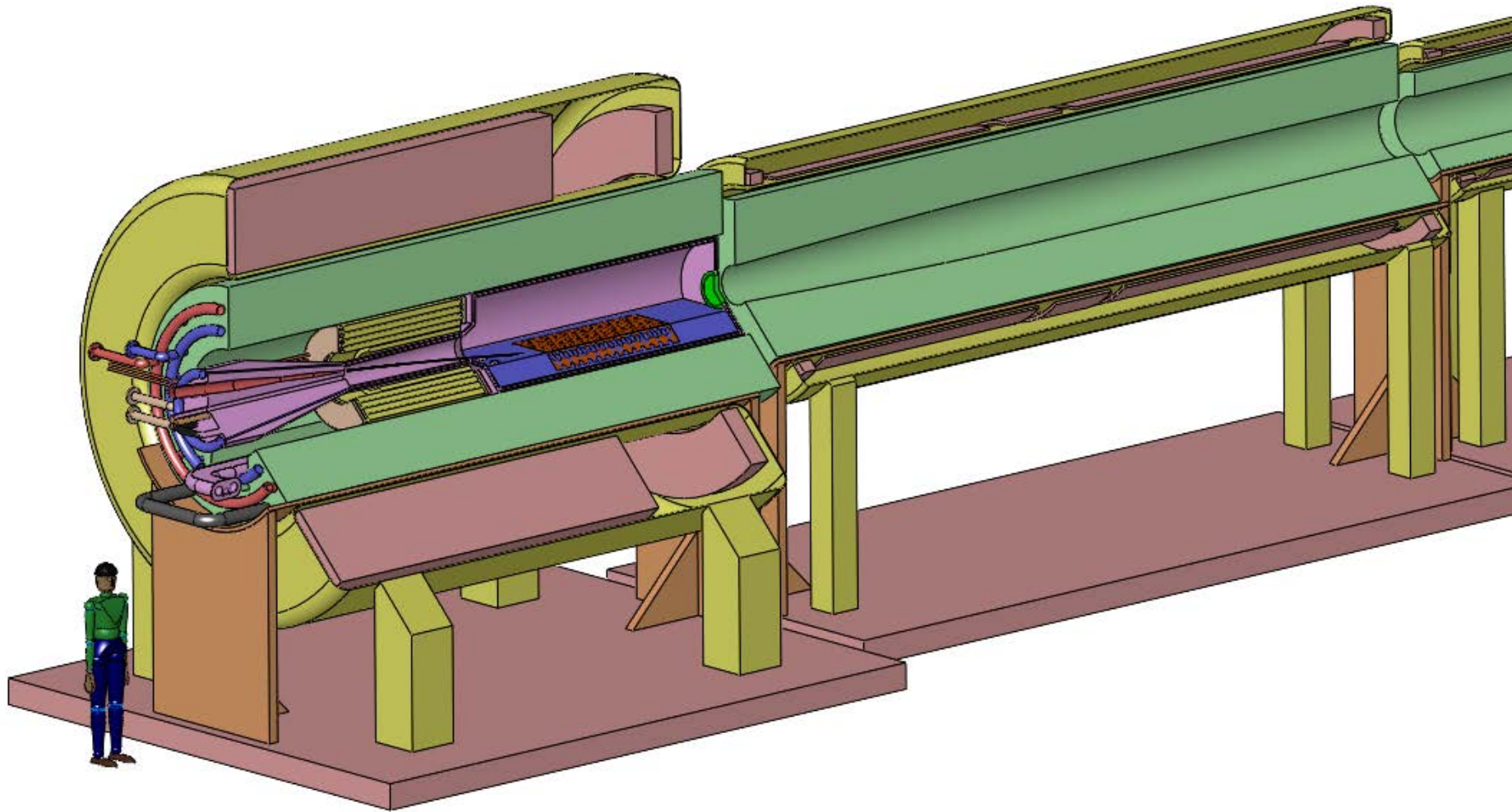
IDS120_20-1.5T7m2+5 Front Section (with & without dimension)



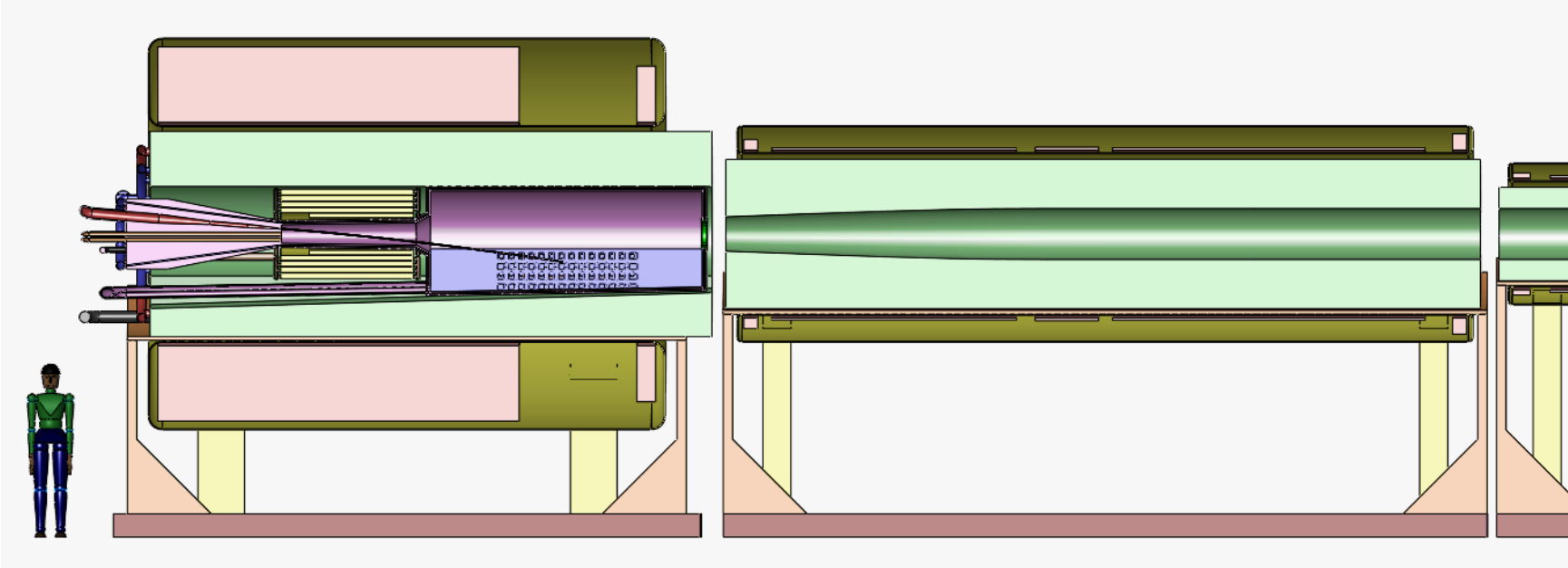
IDS120_20-1.5T7m2+5 Iso Section



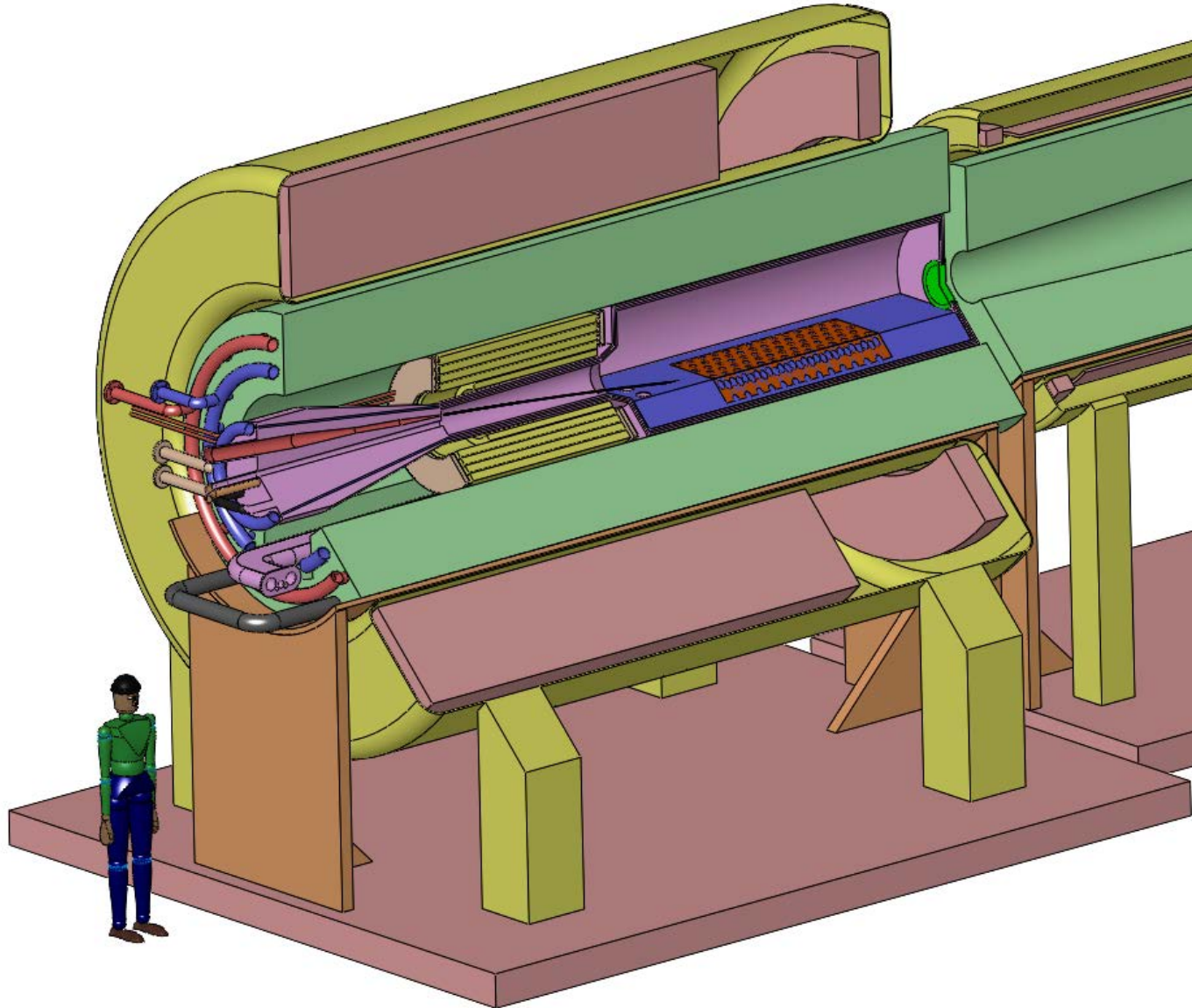
IDS120_20-1.5T7m2+5 Cryo 1-2 Section



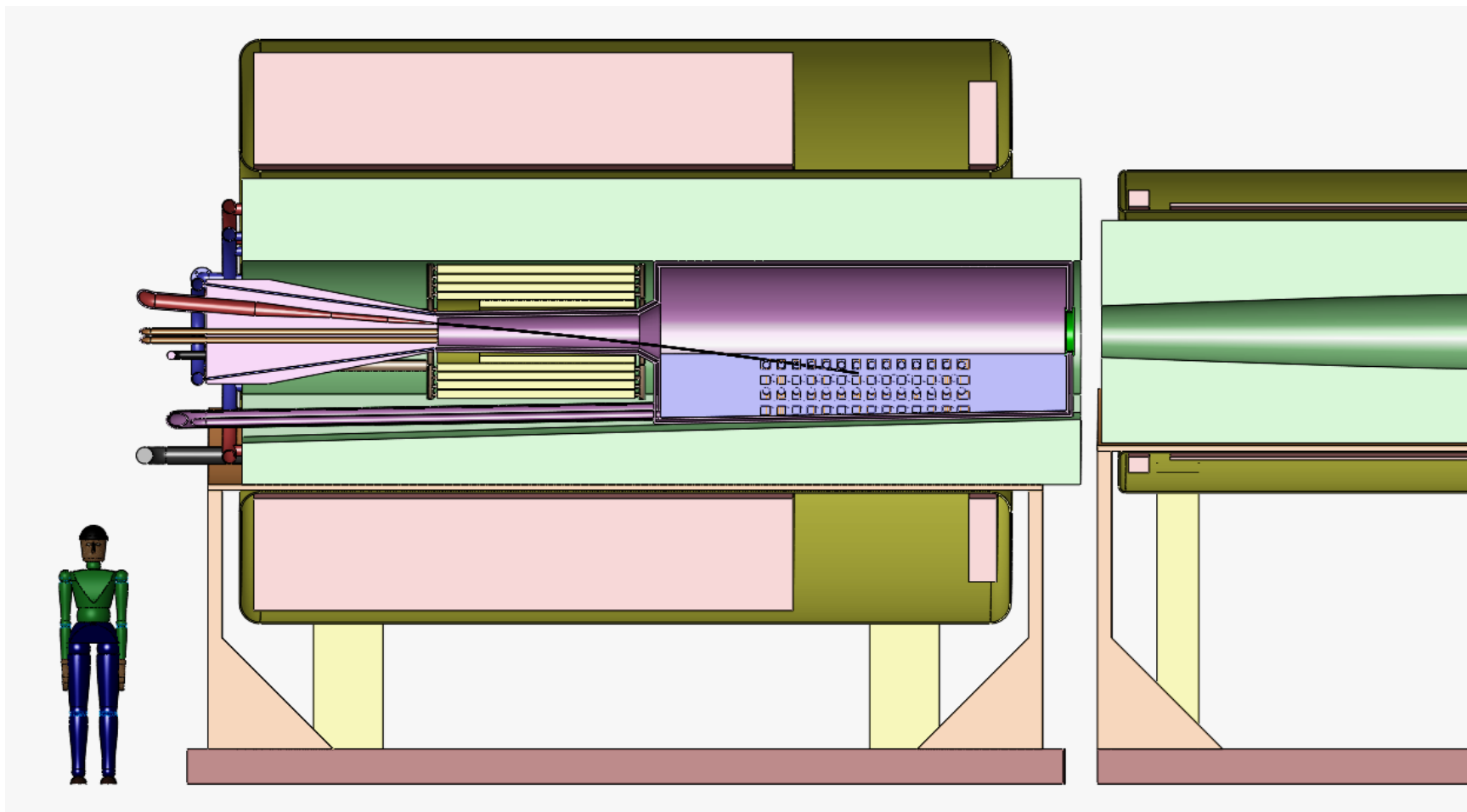
IDS120_20-1.5T7m2+5 Cryo 1-2 Front



IDS120_20-1.5T7m2+5 Cryo 1 Iso



IDS120_20-1.5T7m2+5 Cryo 1 Front



IDS120_20-1.5T7m2+5 Cryo 1 CloseUp

