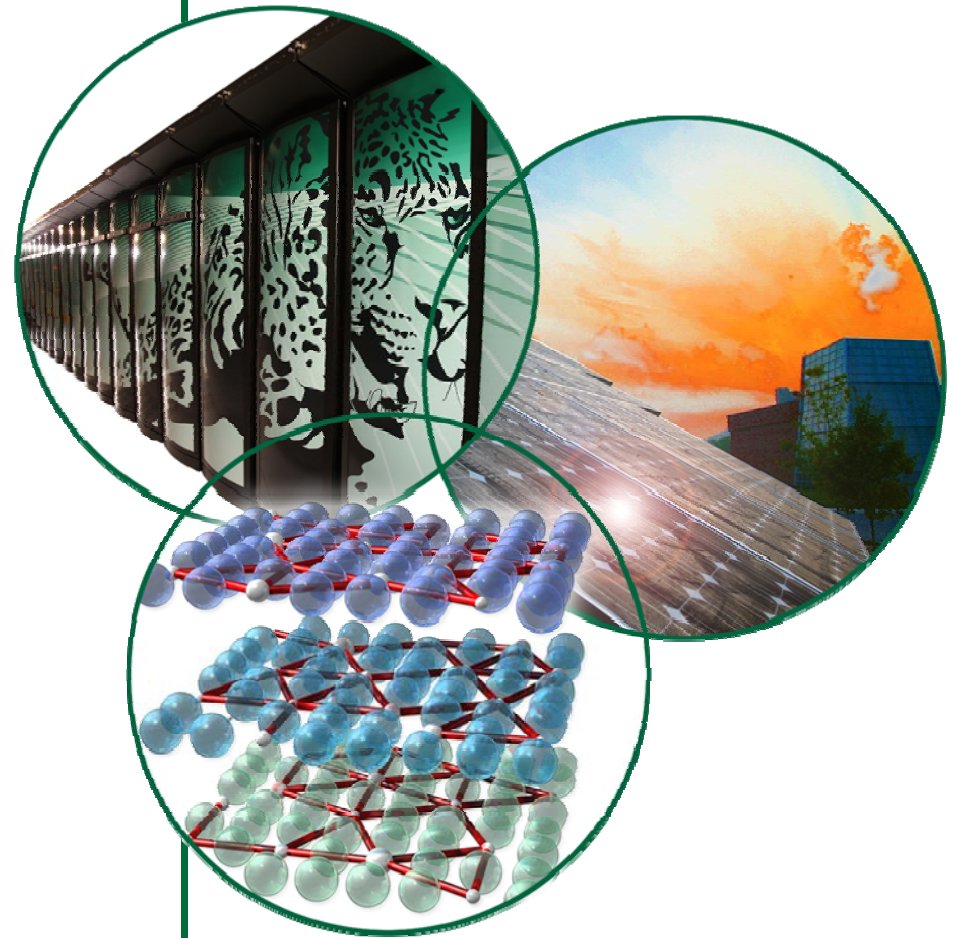


# 20to2T5m100cm Images

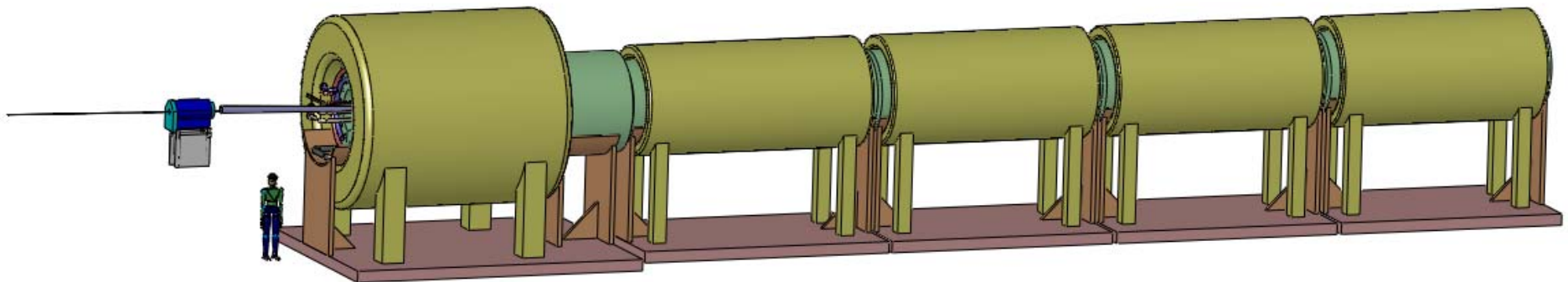
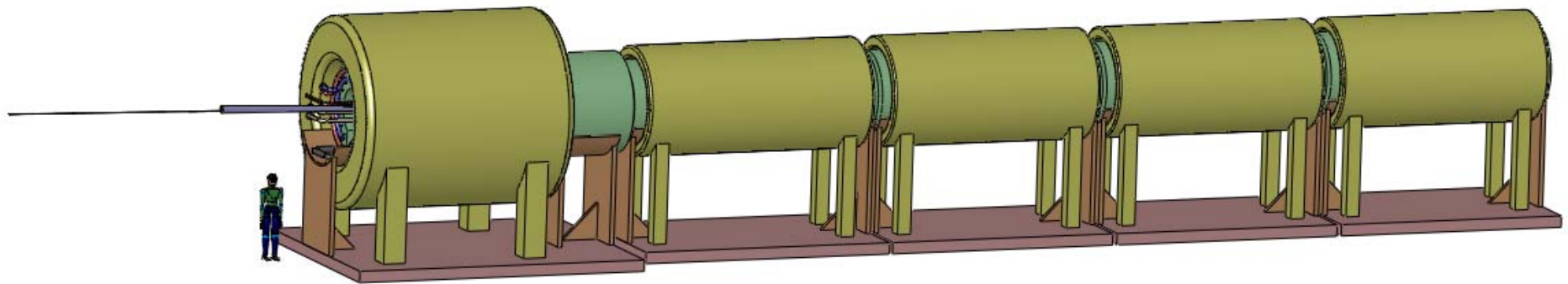
Van Graves

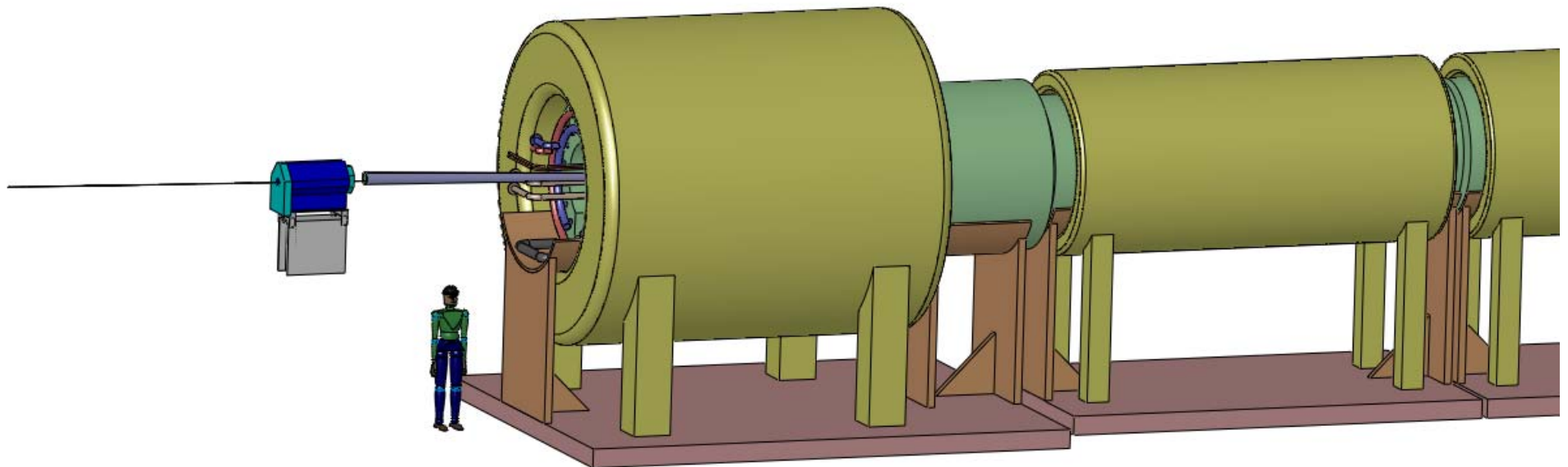
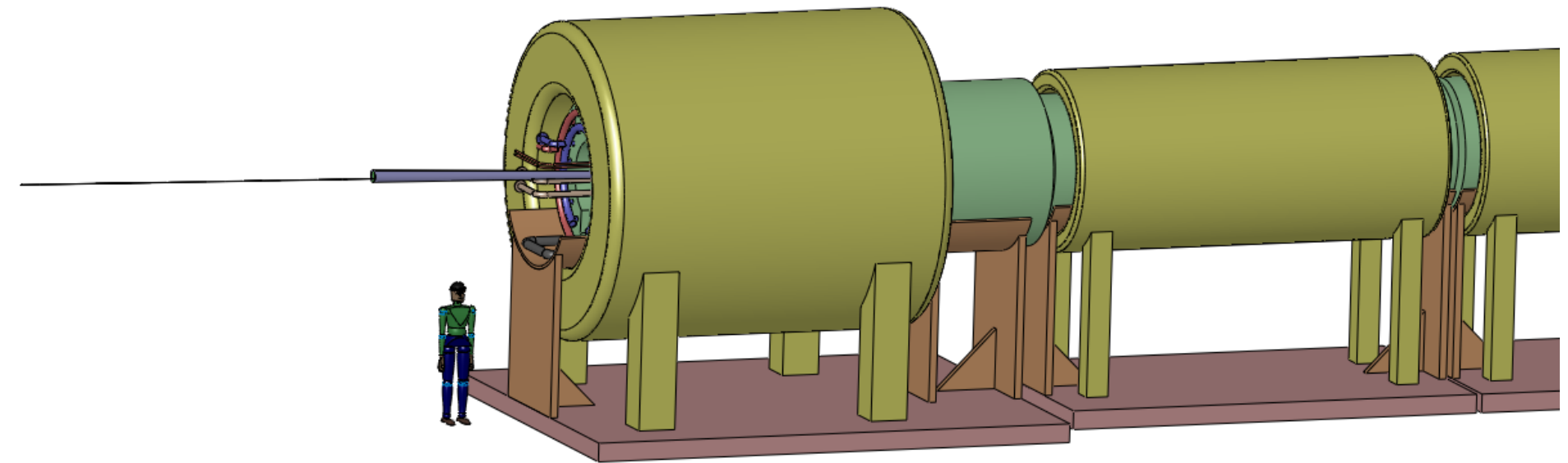
February 13, 2014



# Overall View with 5 Cryostats

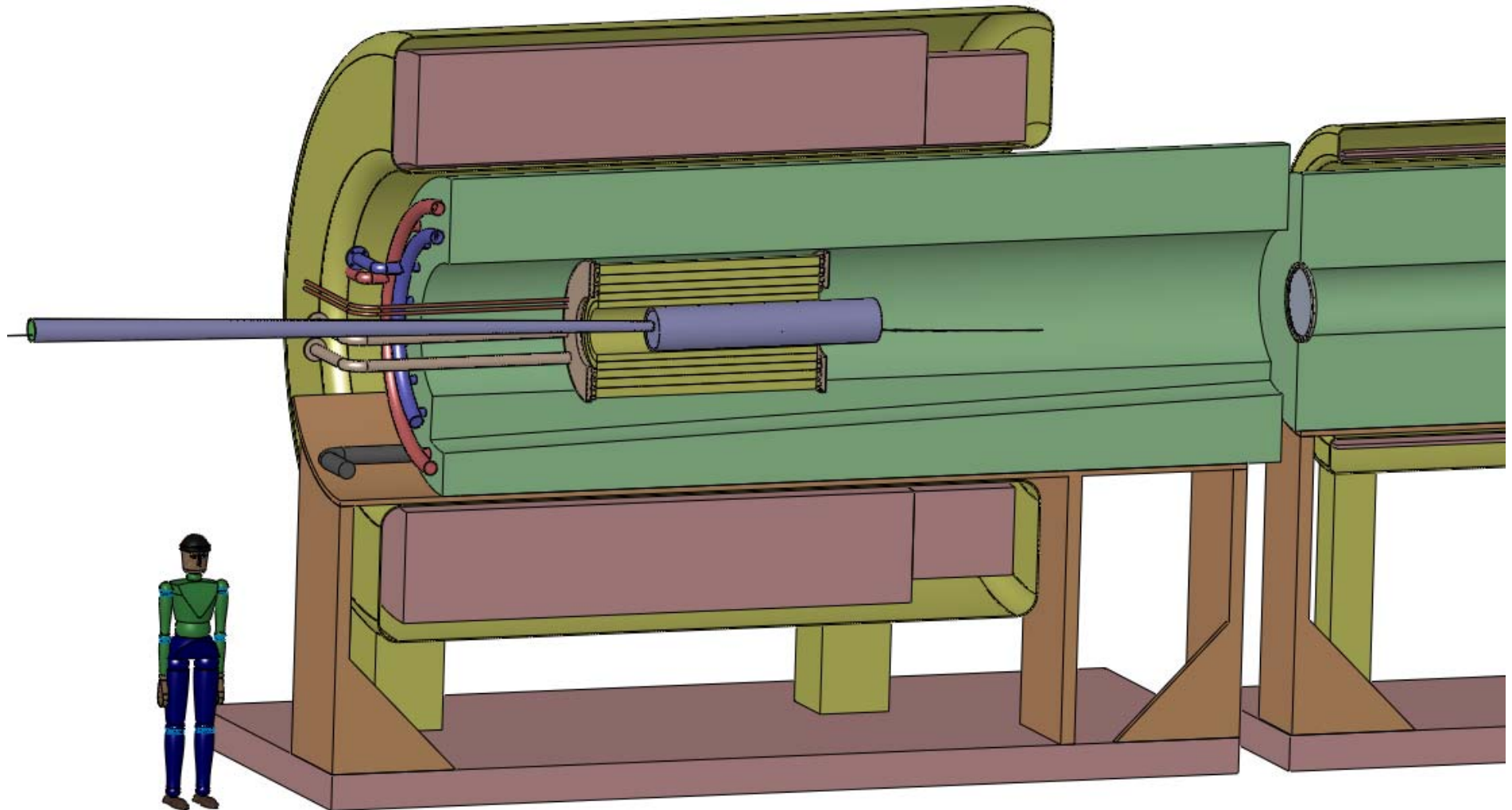
- Beam extends to  $Z=1-0\text{m}$
- Target chamber extends to  $Z=-5\text{m}$
- Placeholder focusing magnet shown near  $Z=-5\text{m}$

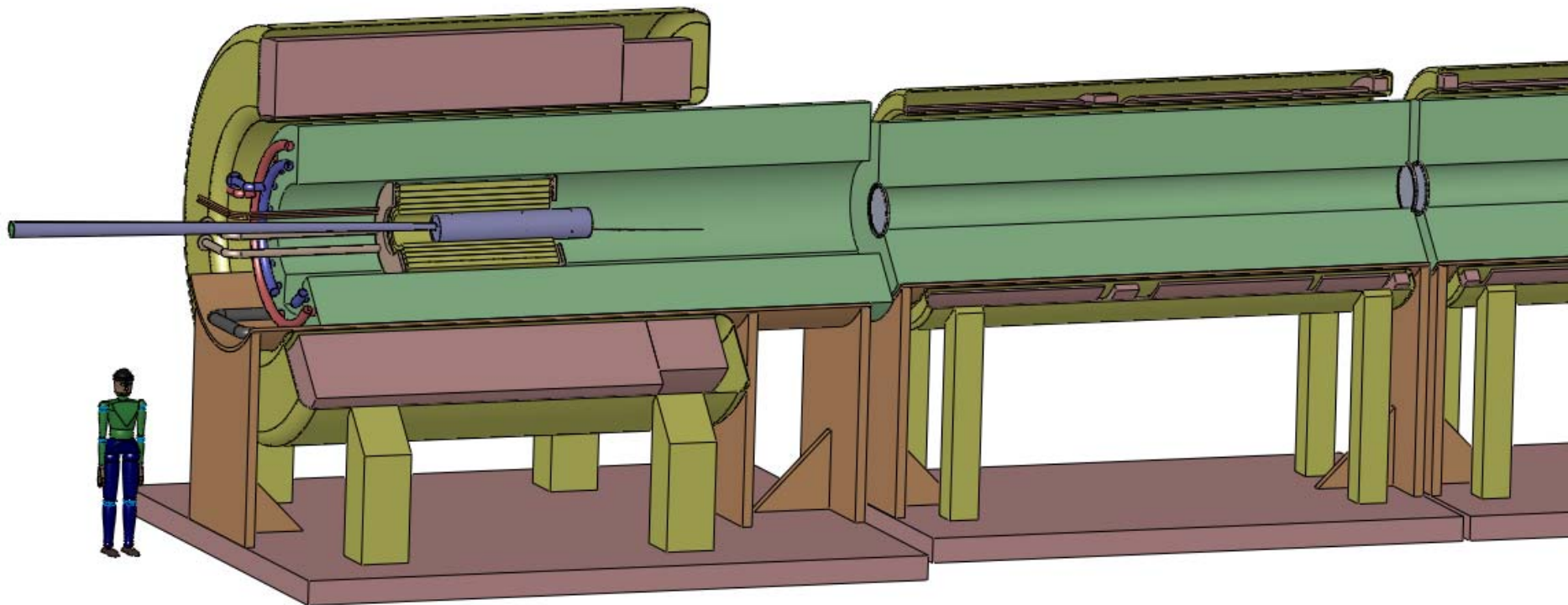




# Target Region

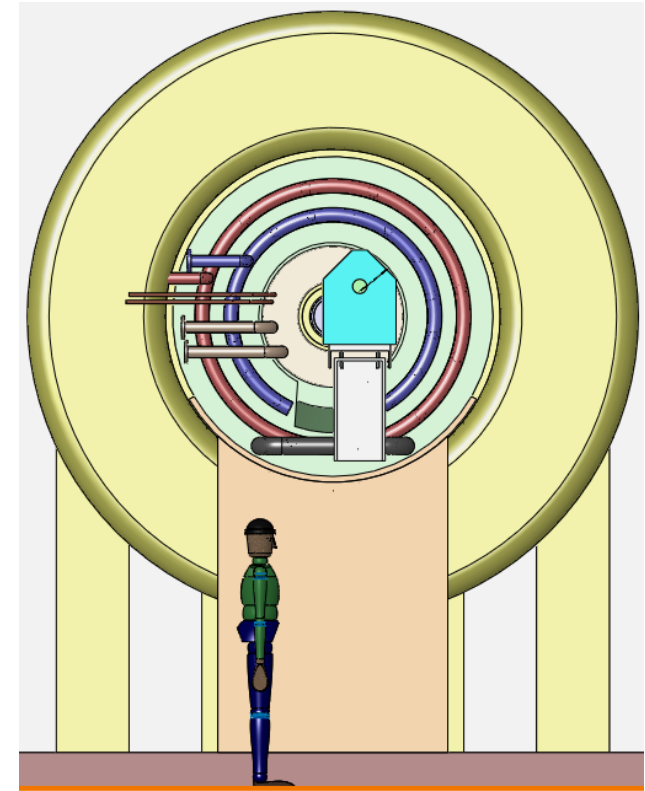
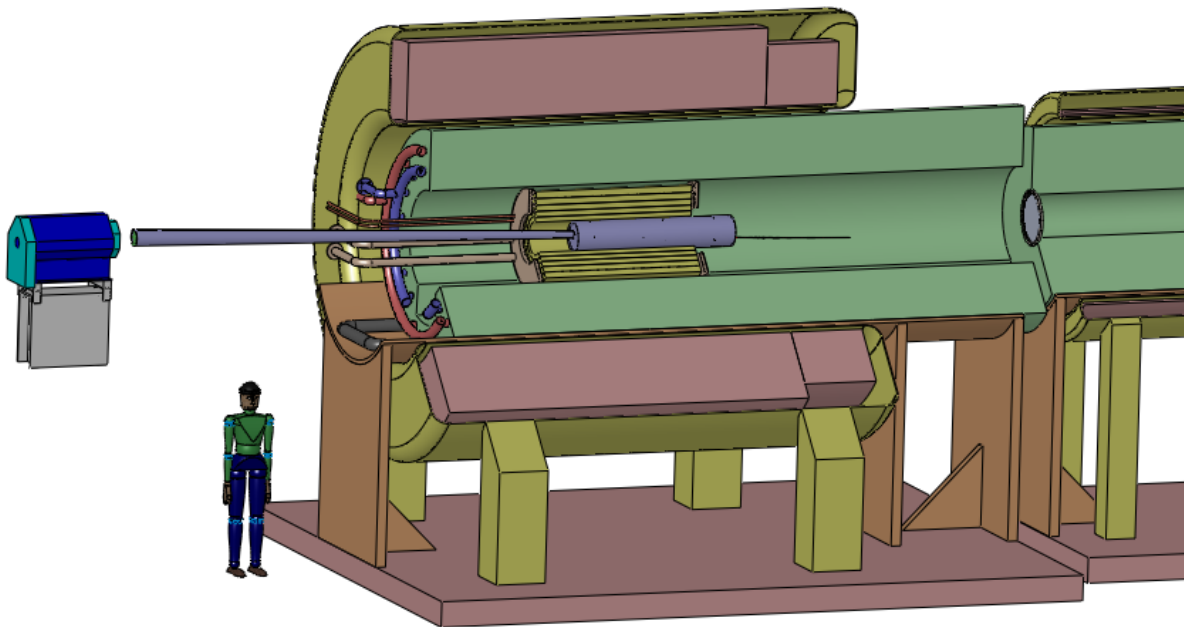
- Chamber extension would require supports and helium channels



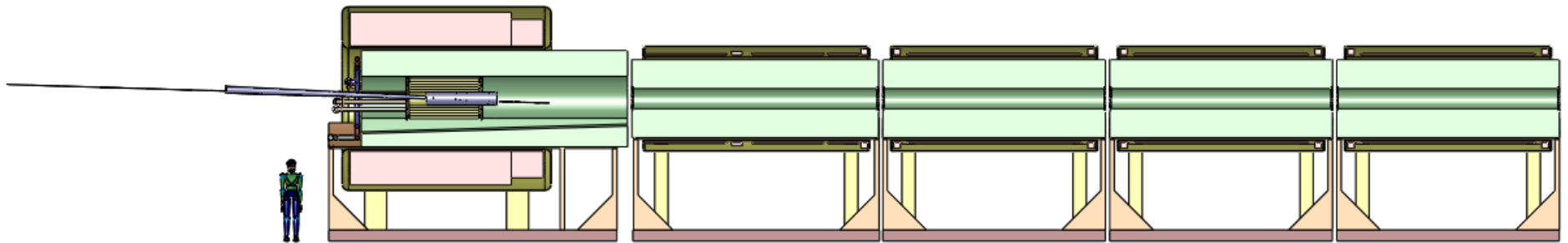


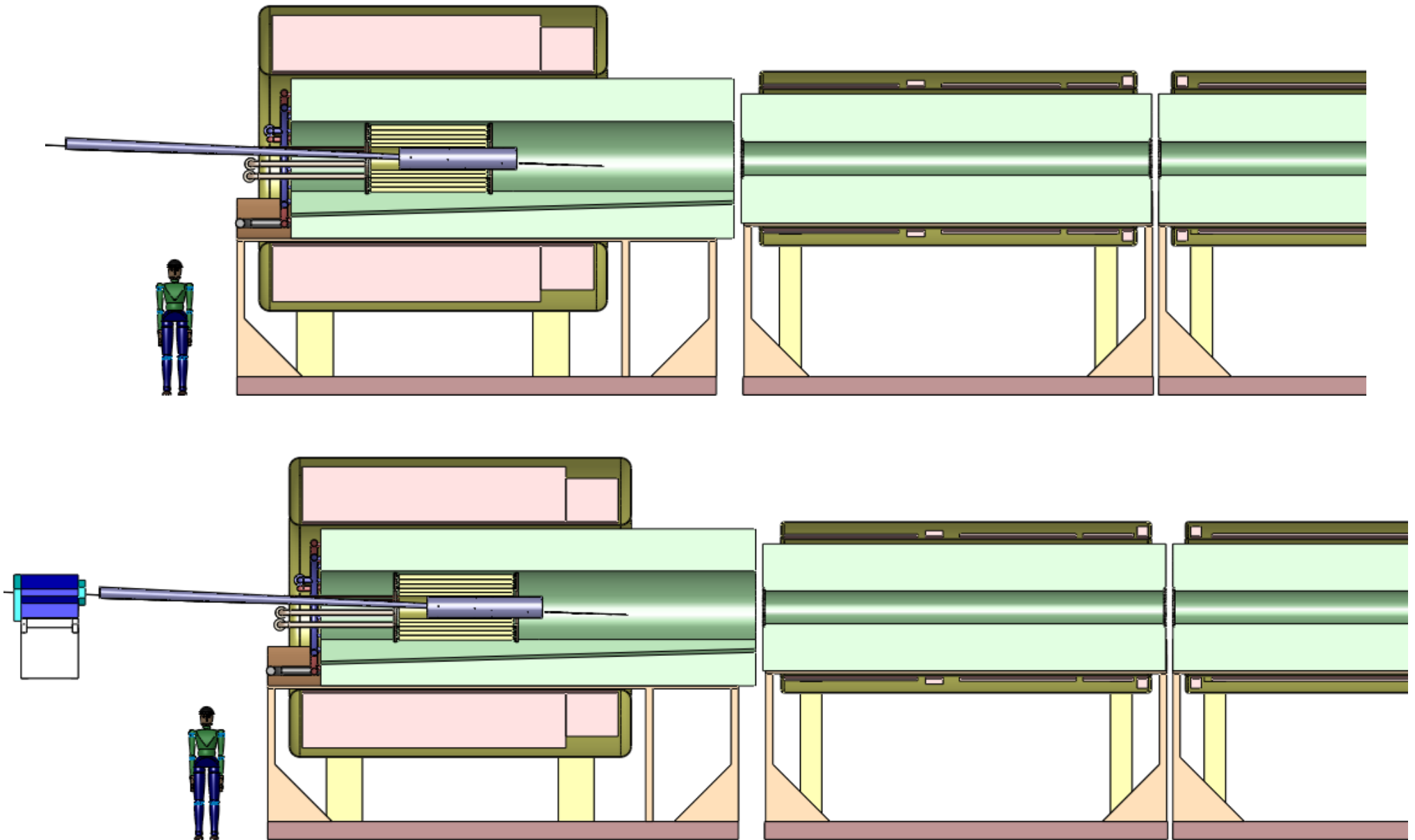
# Target Extraction

- Beam path to focusing magnets is at slight angles to the magnetic axis
- Upstream end of main cryostat  $Z=-2.3\text{m}$ , target length  $3.6\text{m}$  inside cryostat
- Target cannot be extracted without first removing focusing magnet(s)

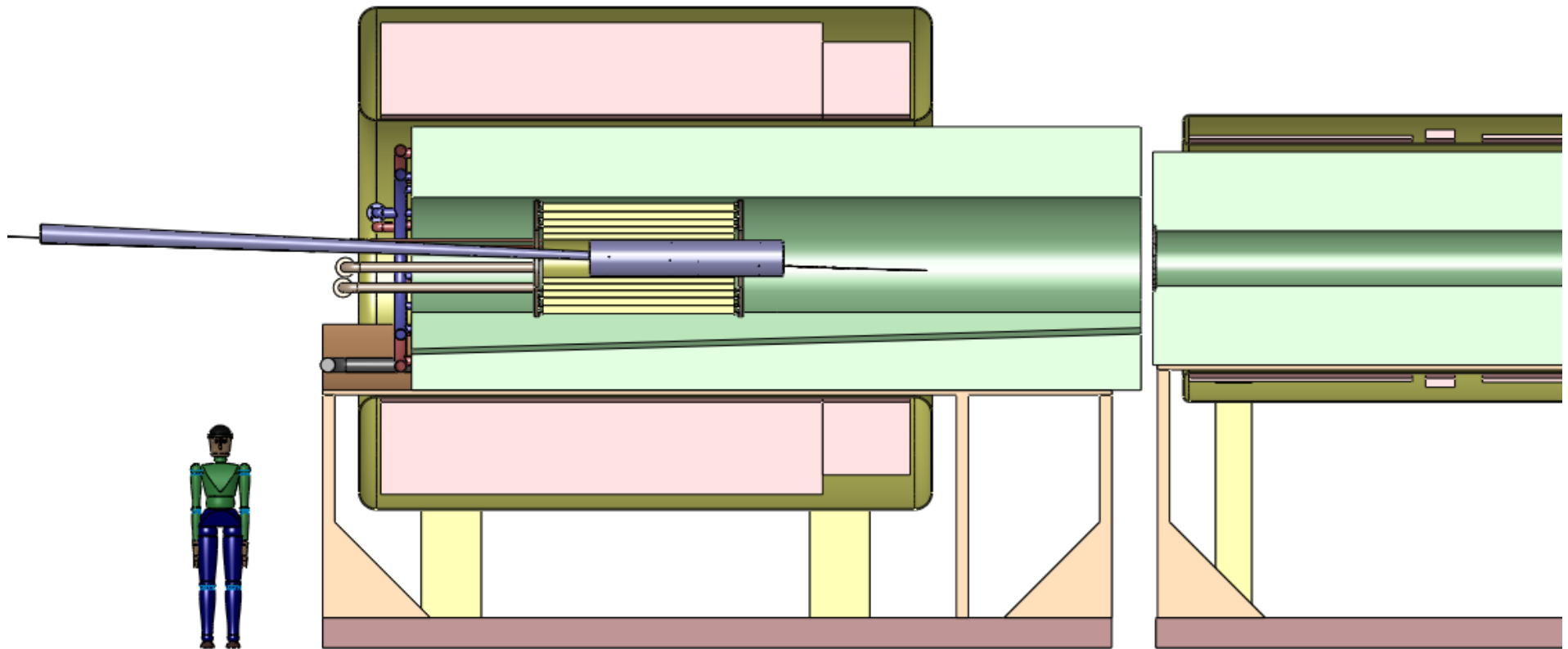


# Front Elevation Views

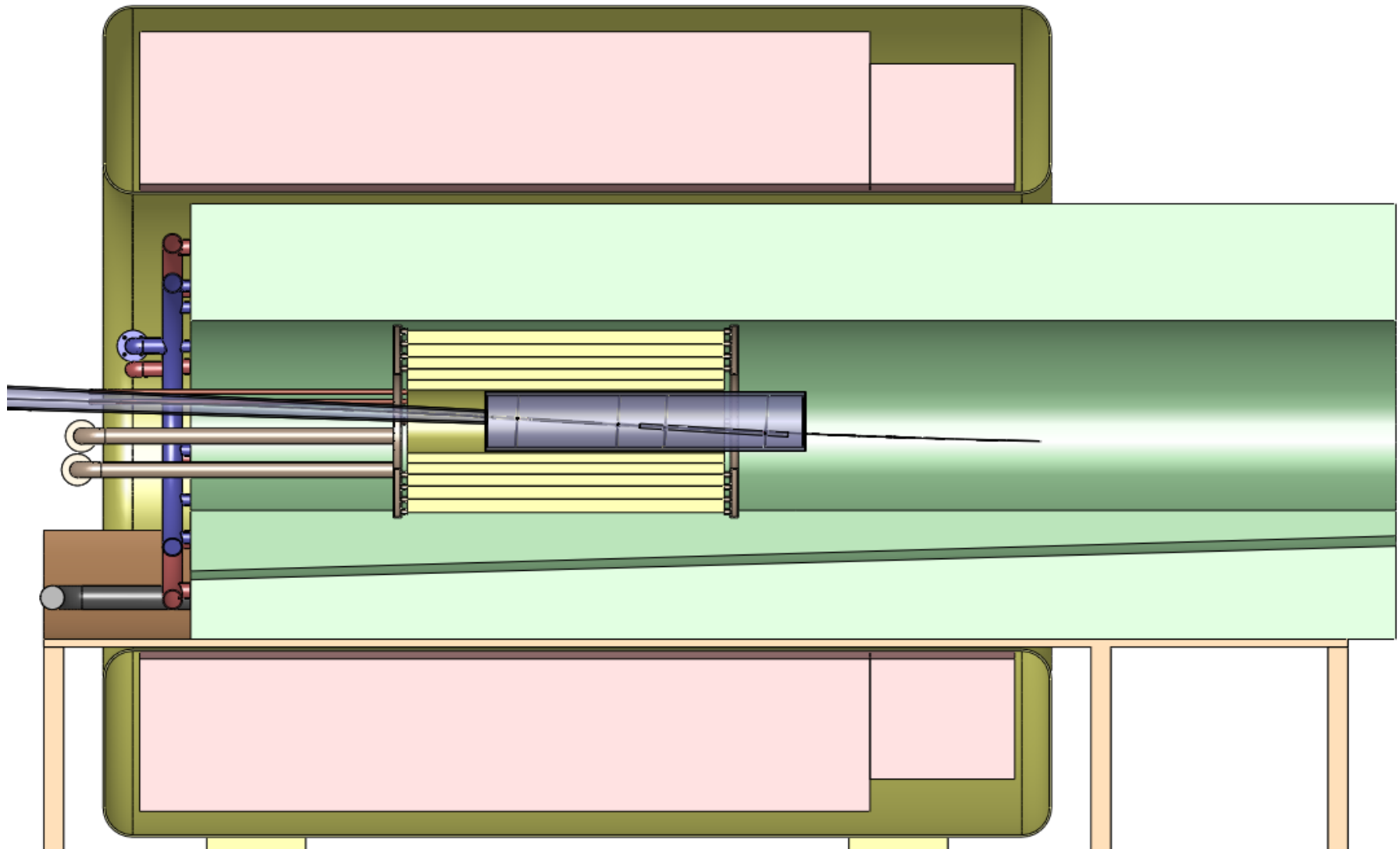


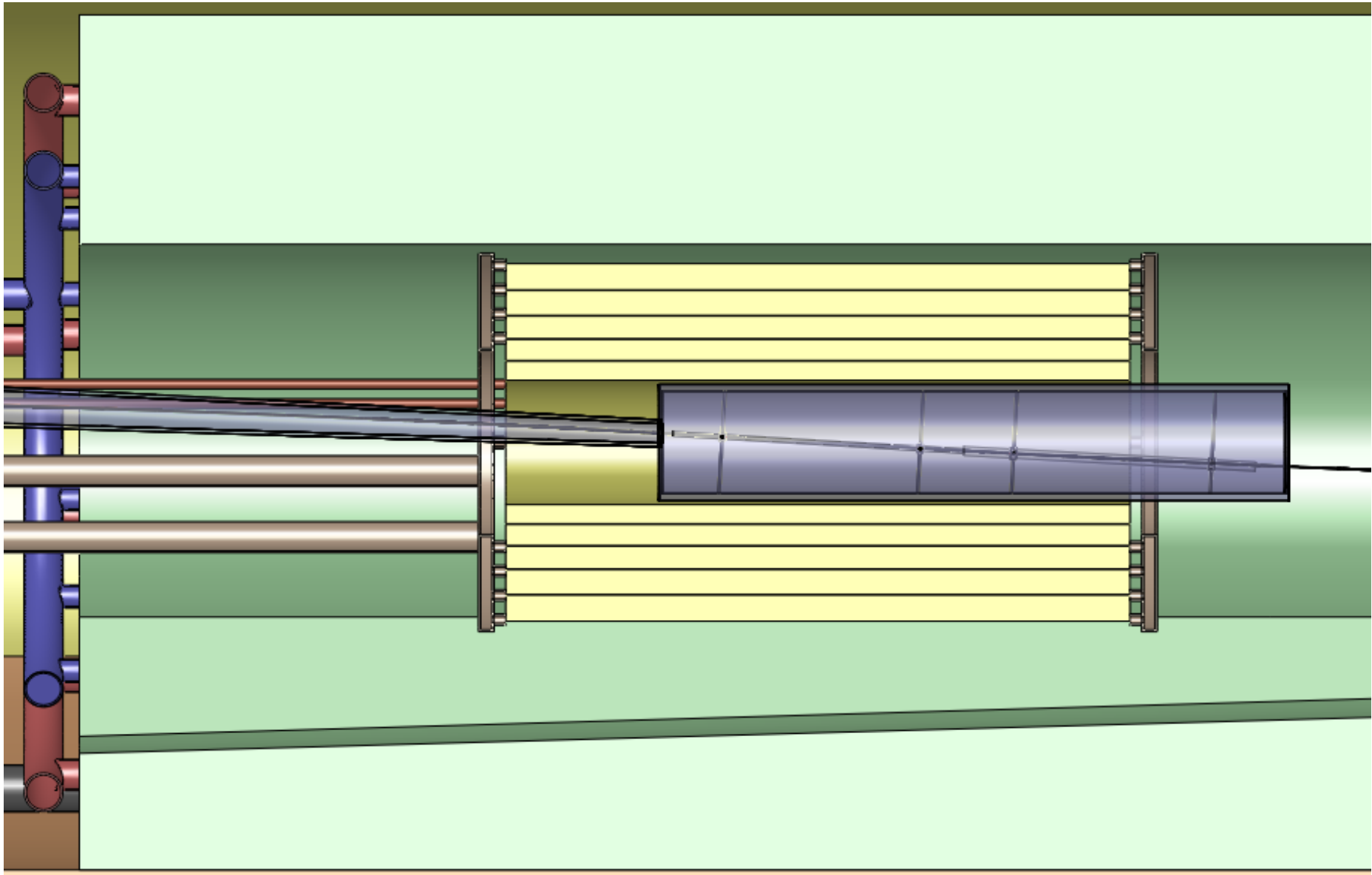




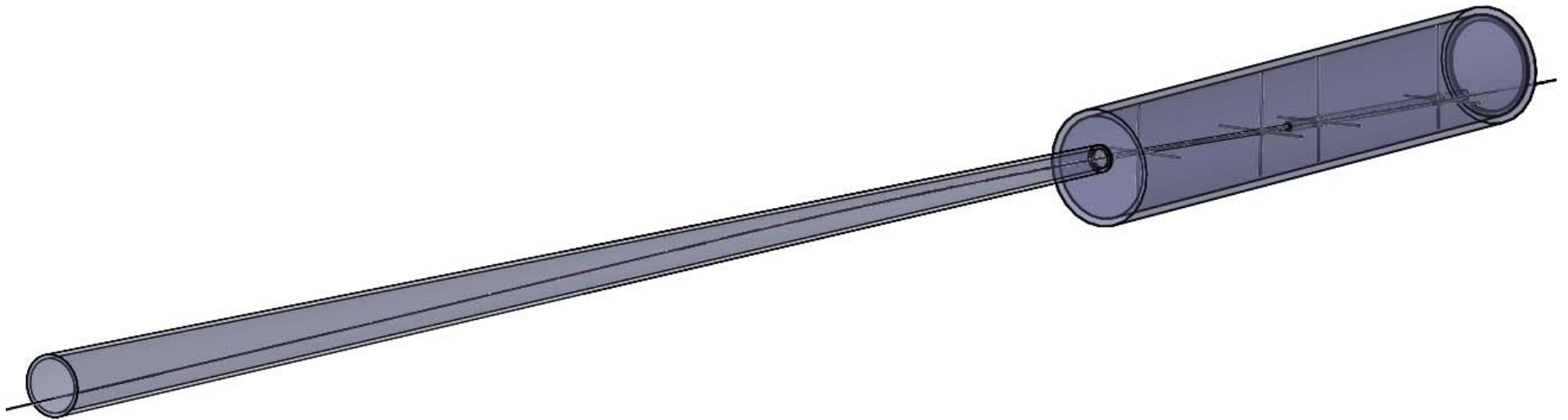


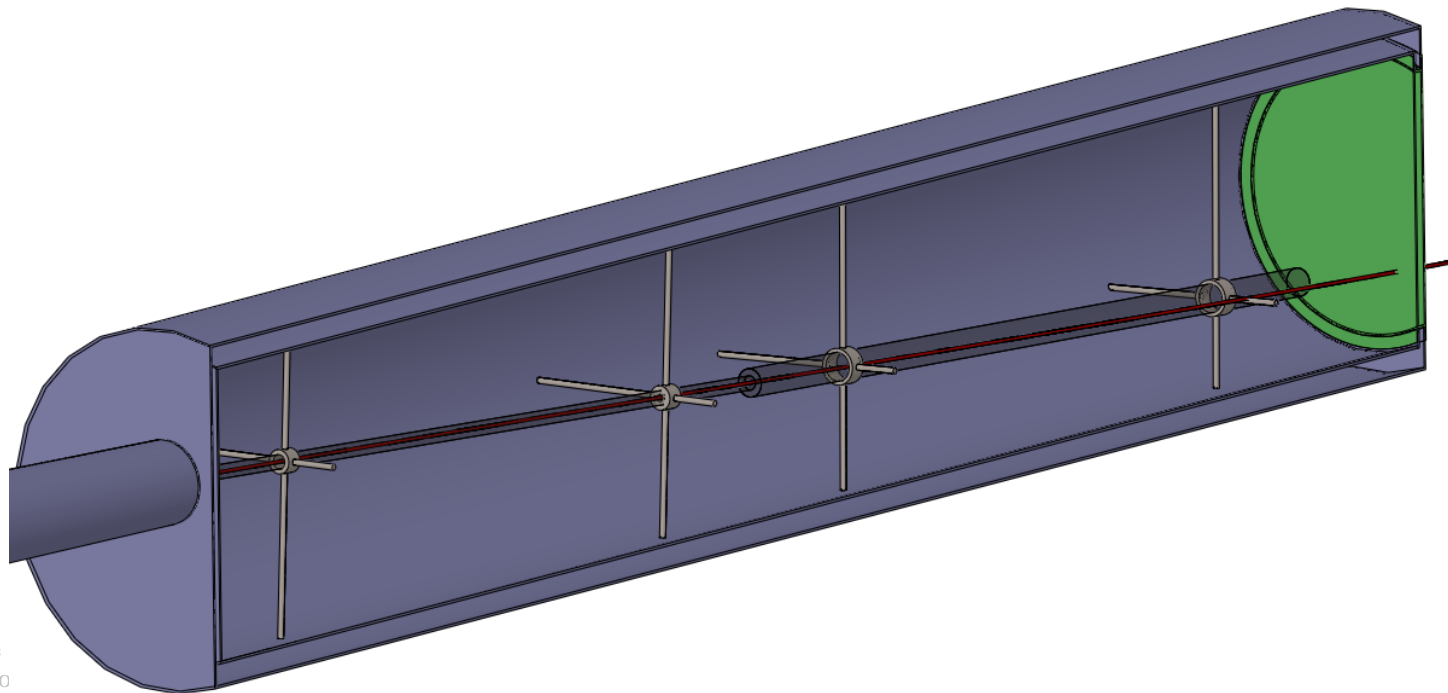
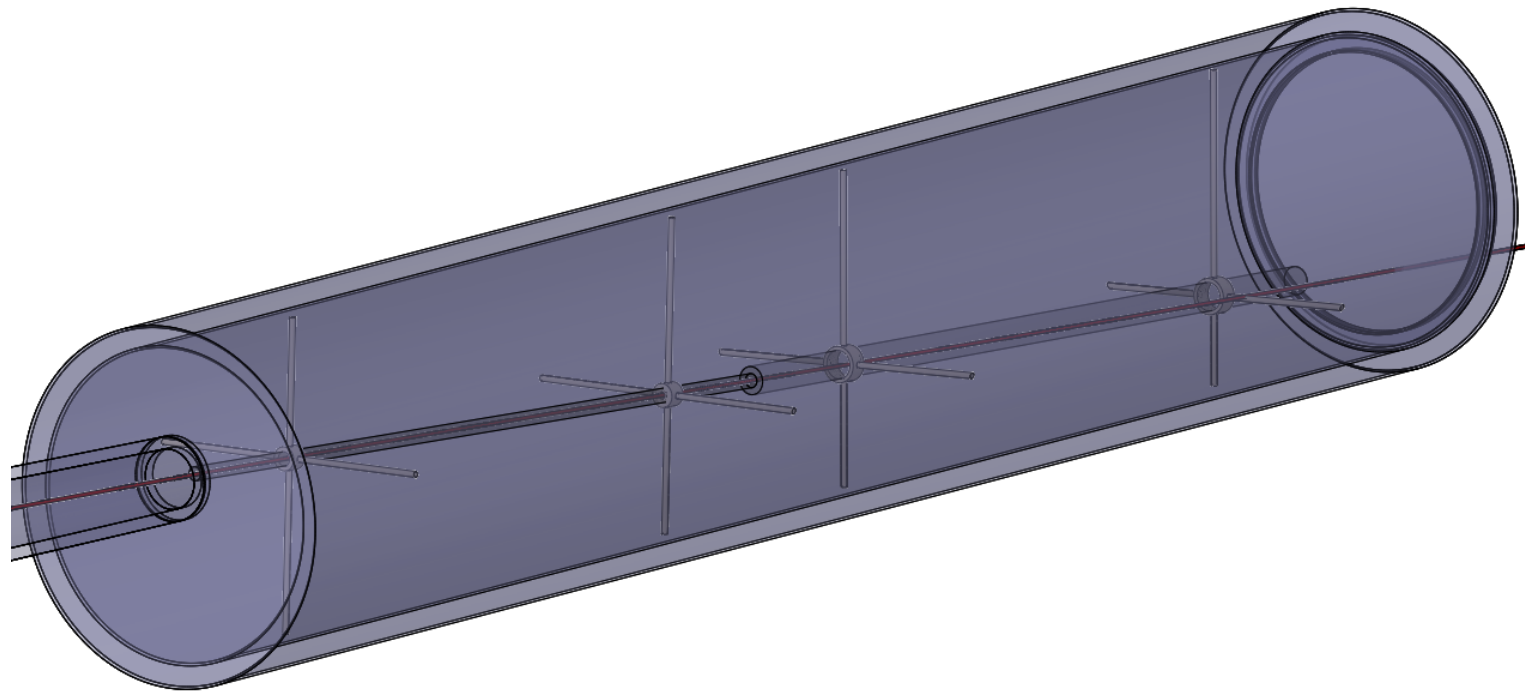
# Target Chamber Views





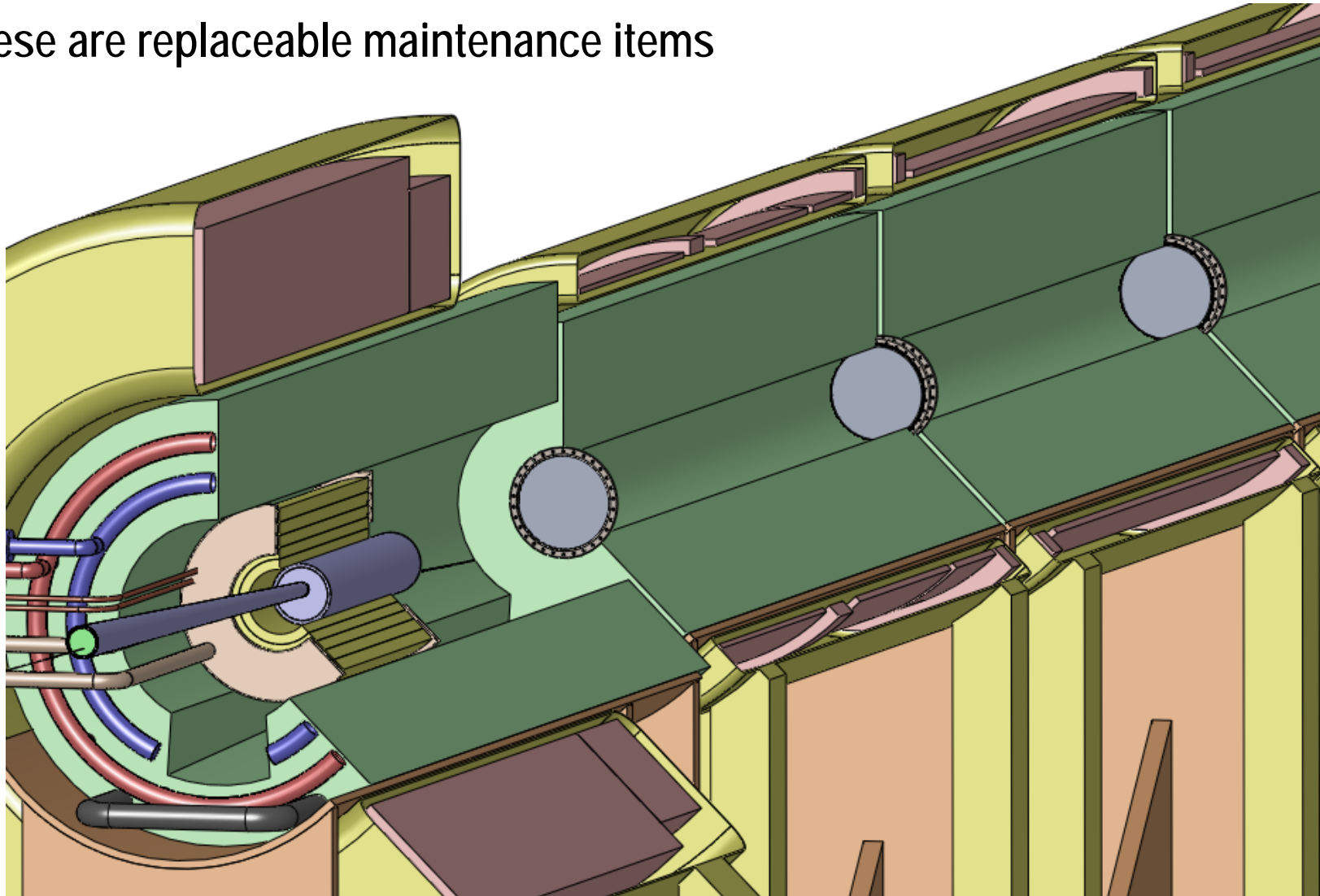
# Target Chamber Isometrics



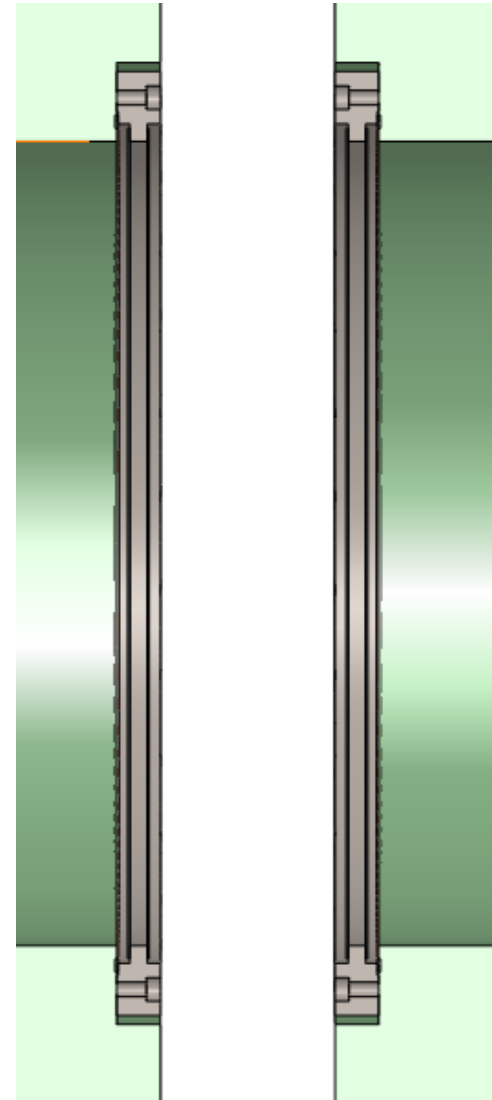
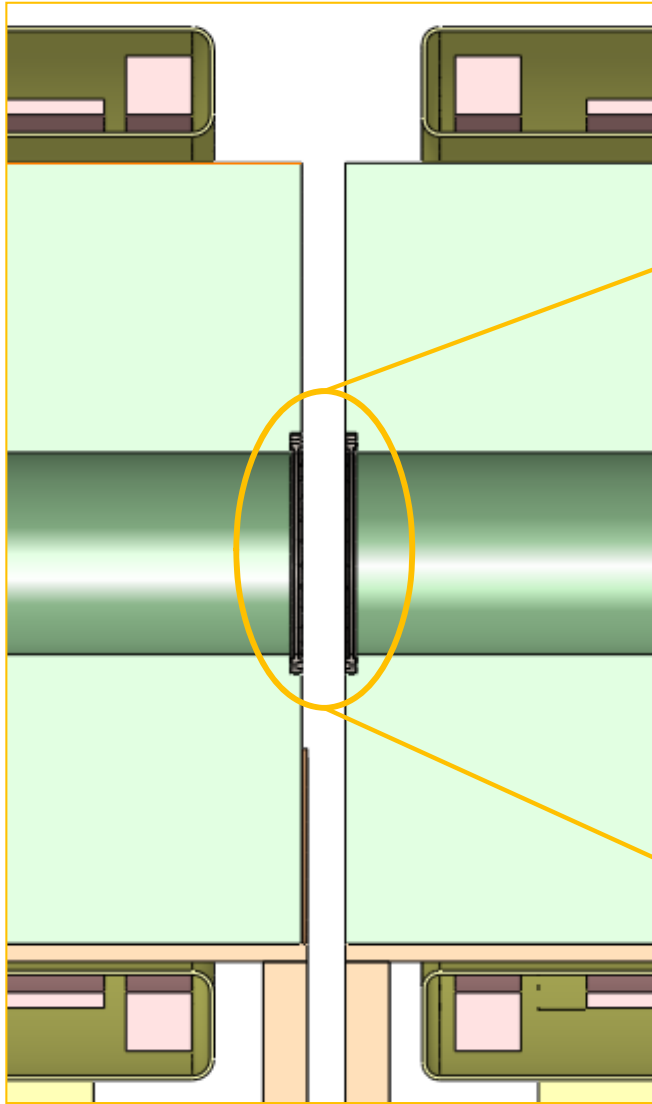


# Downstream Beam Windows

- Double Be windows at both ends of each cryo module
- 23cm IR, 1mm thick, 1cm gap
- All these are replaceable maintenance items



# Window Close-up



# Window Attachment

