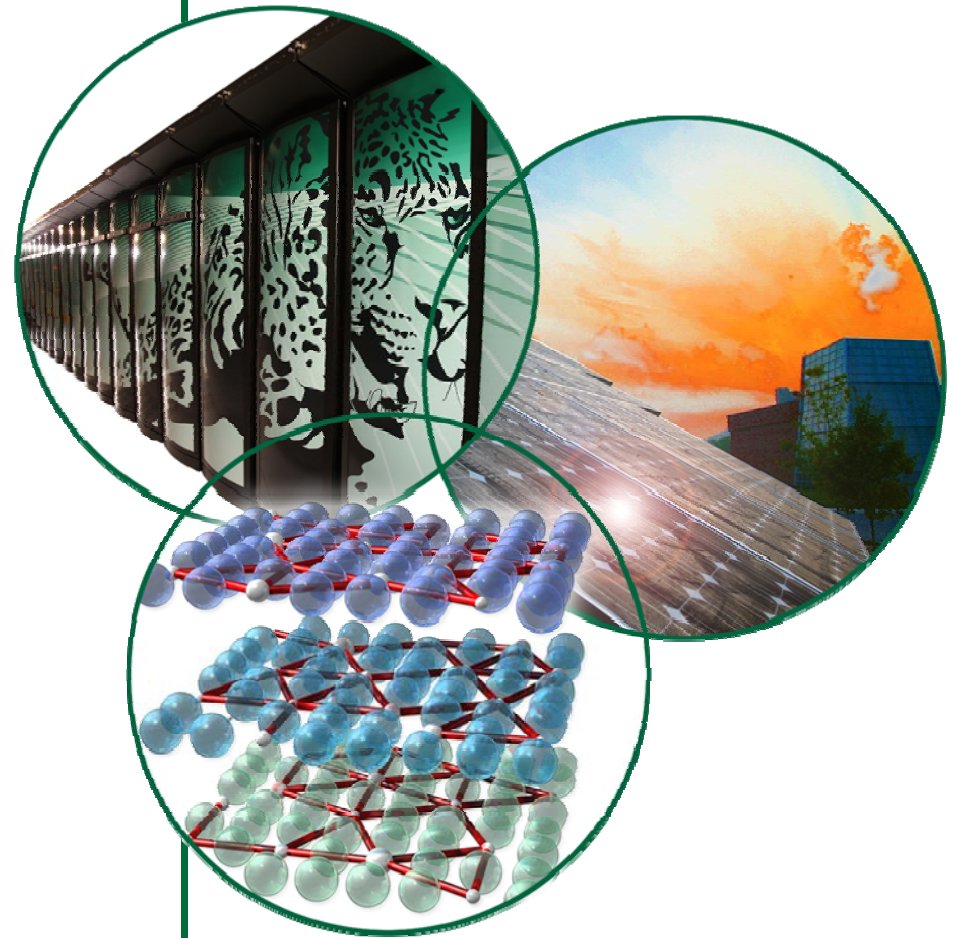


Beam Trajectory Comparison

Van Graves

March 24, 2015



Trajectory Data

Trajectory Name	File Name	Beam Color
20to2T5m120cm4pDL	TRACK_20to2T5mDL_z_m1000_p500_values_in_cm.txt	Green
20to2T5m	BEAM_CENTROID_TRACK_20to2T5m_start_z_m1000.txt	Yellow
20to2T5mDL	20to2T5mDL_xyzr_new.txt	Blue

20to2T5m120cm4pDL is from Nicholas Souchlas, May 22, 2014.

20to2T5m is from Nicholas Souchlas, Feb 3, 2015

20to2T5mDL is from Xiaoping Ding, Mar 16, 2015

<https://pubweb.bnl.gov/~xding/frontend/20to2T5m120cm4PDL-C-6.75GeV/20T-x-y-z-r.xlsx>

This file was generated using the antiproton backtracking method,

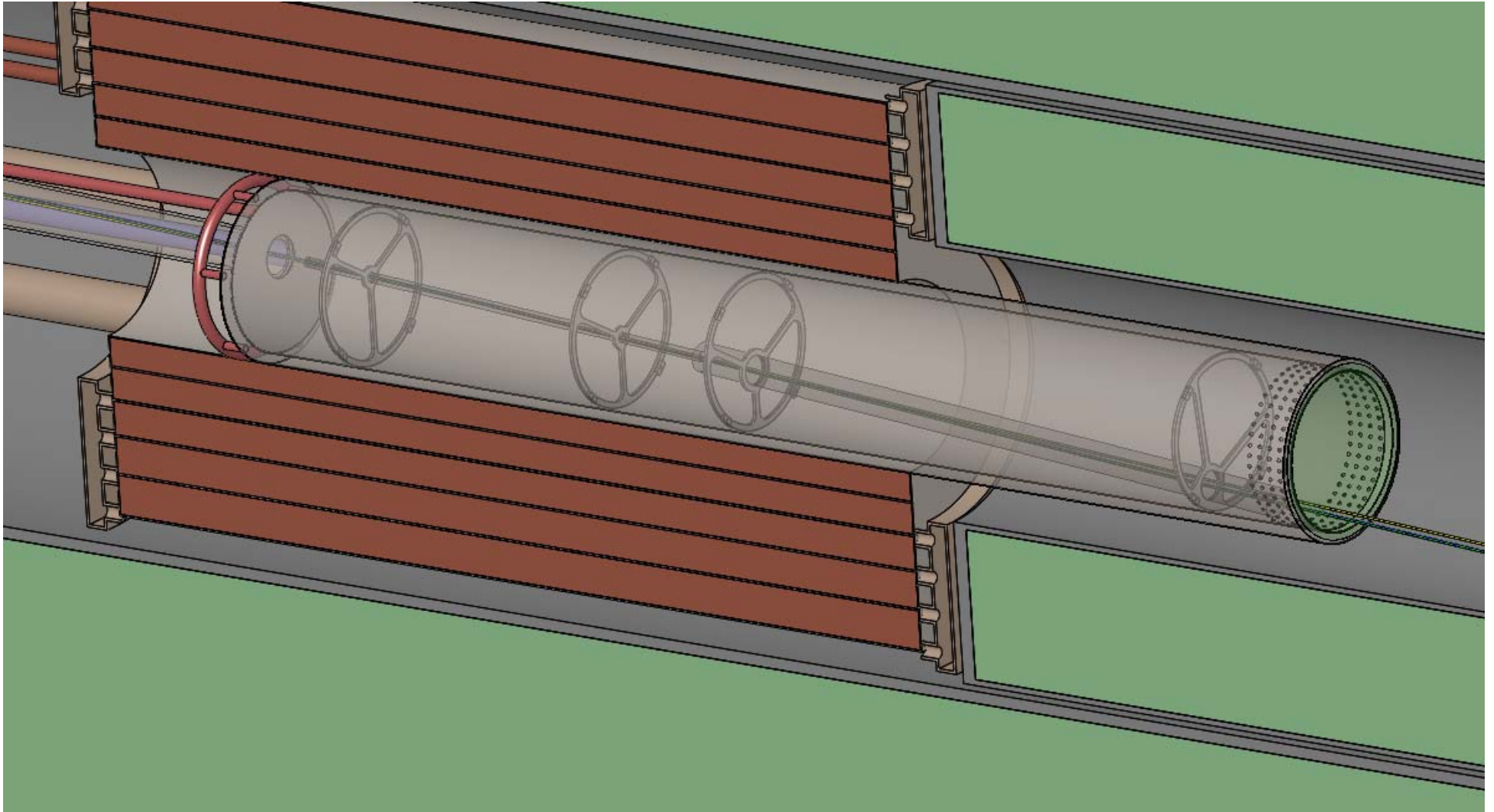
<http://www.hep.princeton.edu/~mcdonald/examples/track.pdf>

This file is also posted as

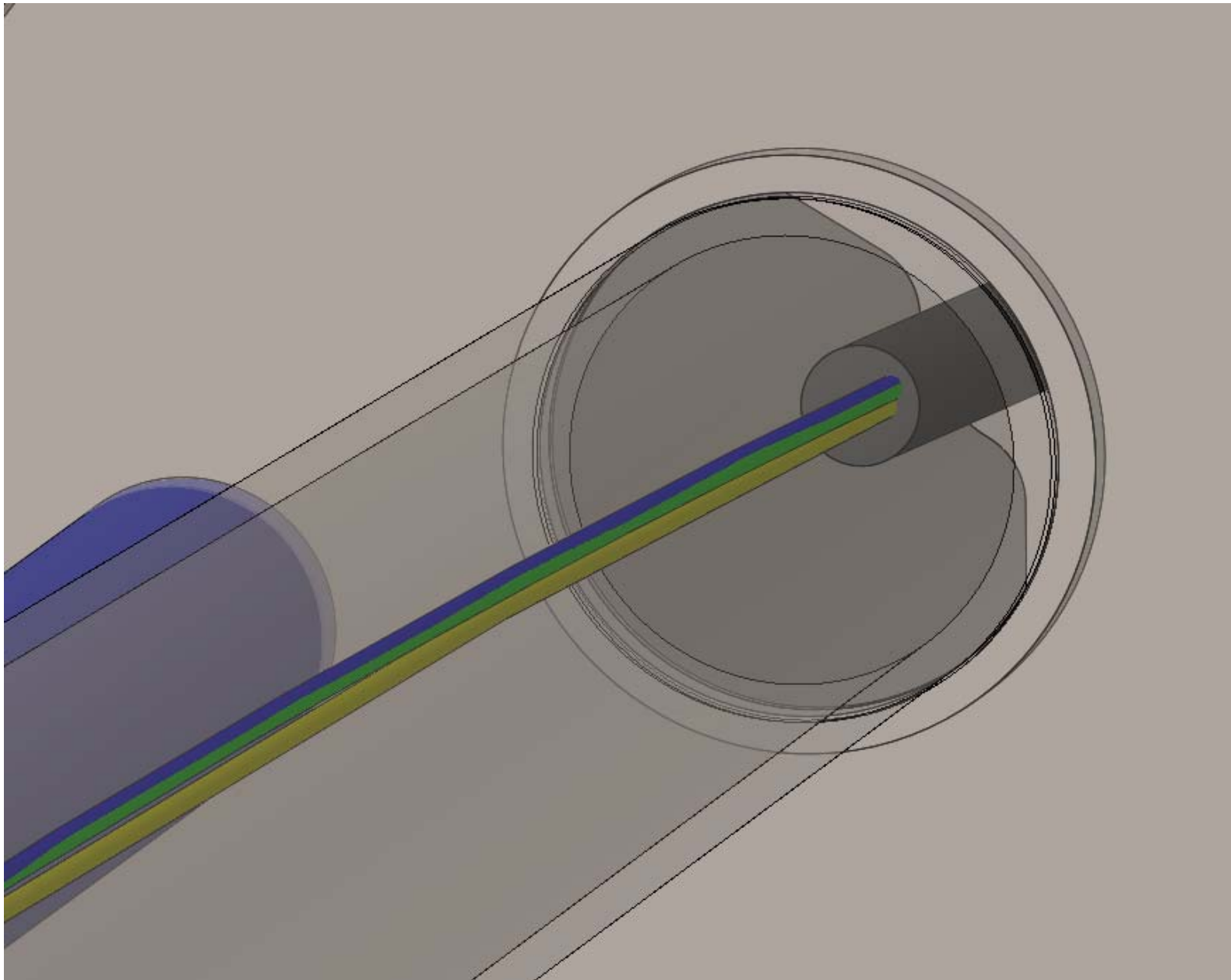
http://www.hep.princeton.edu/~mcdonald/mumu/target/Ding/C_6.75/20to2T5mDL_xyzr_new.xlsx

All beams shown with diameter = 0.29 cm

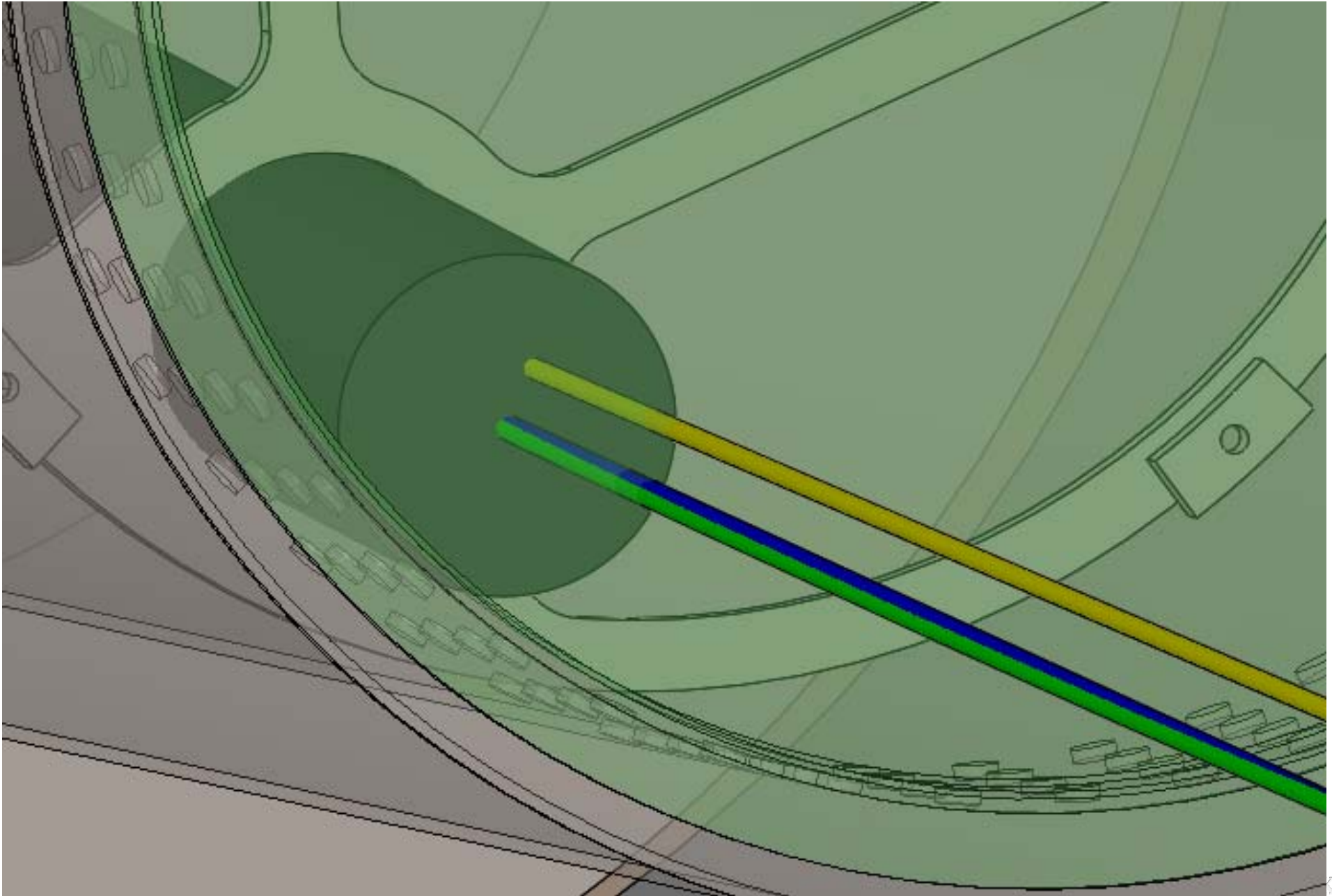
Overall View for Reference (+z to the right)



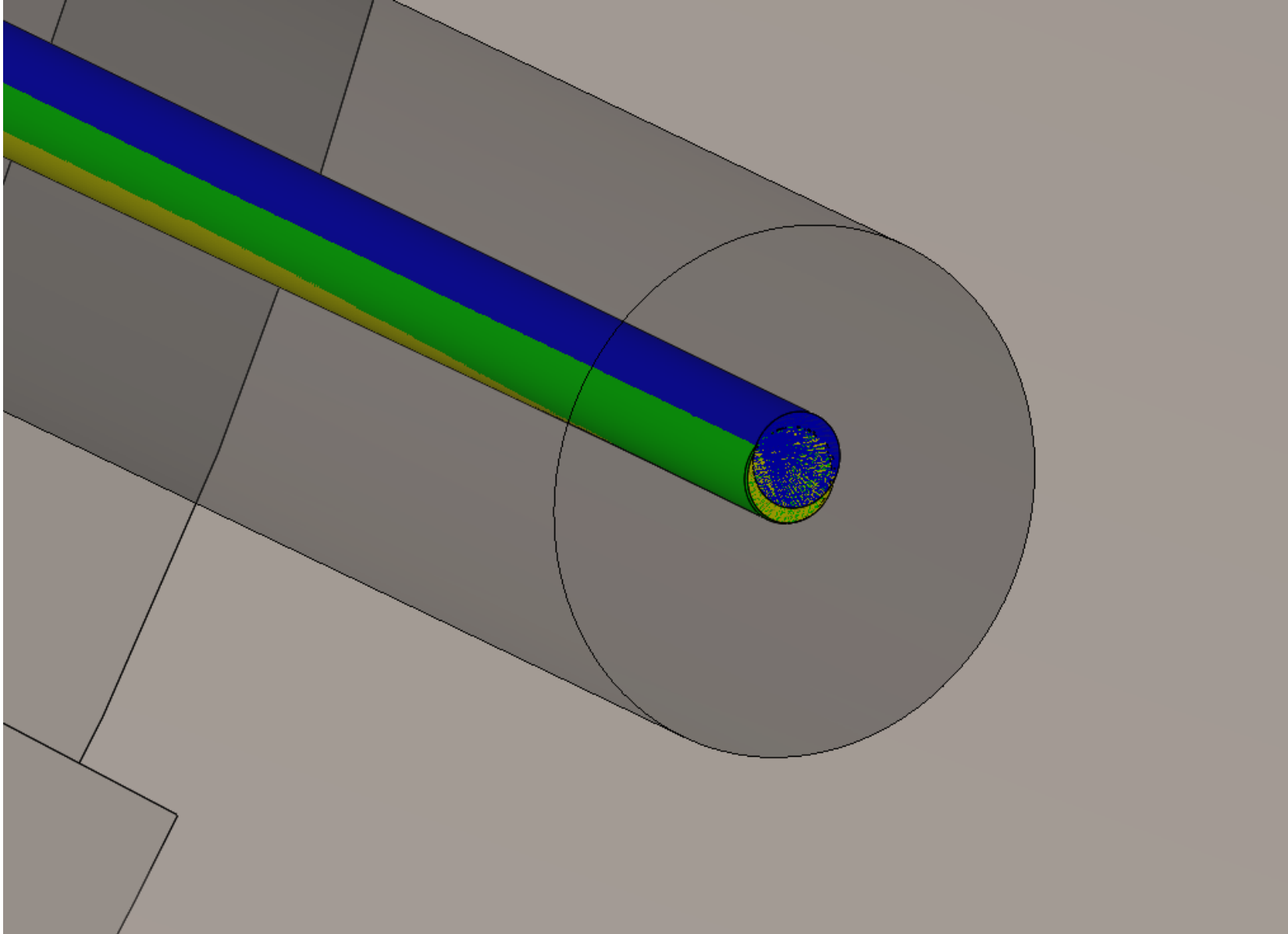
Target Entrance (looking toward +z)



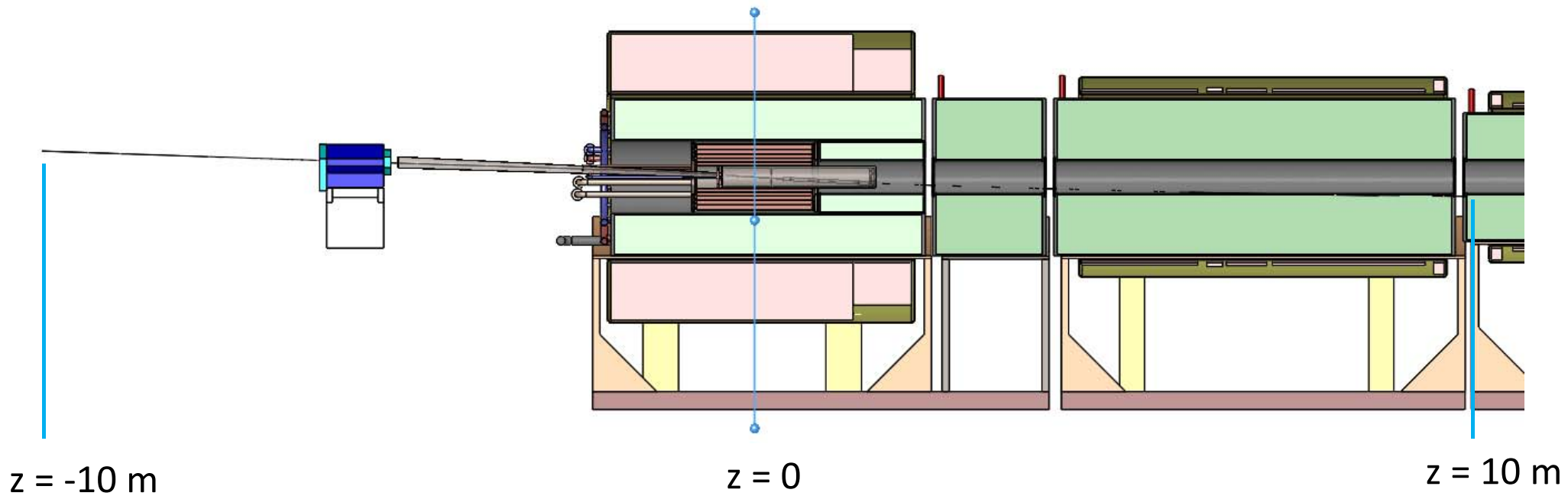
Beam Dump Exit (looking toward $-z$)



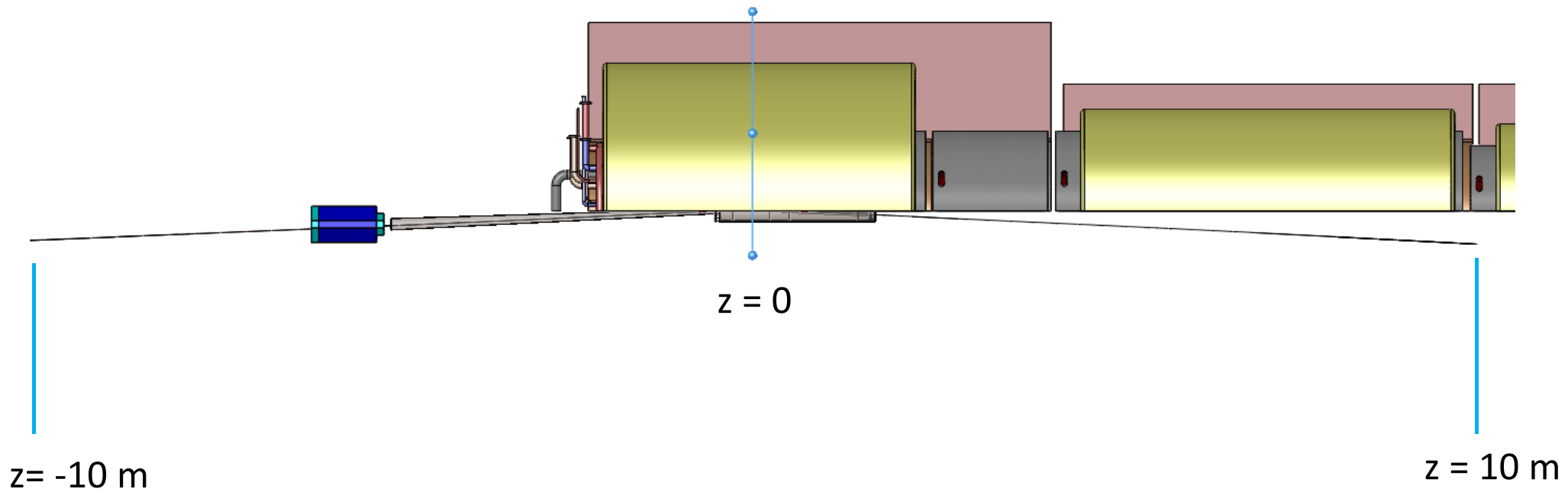
$z = 0$ Section (looking toward $-z$)



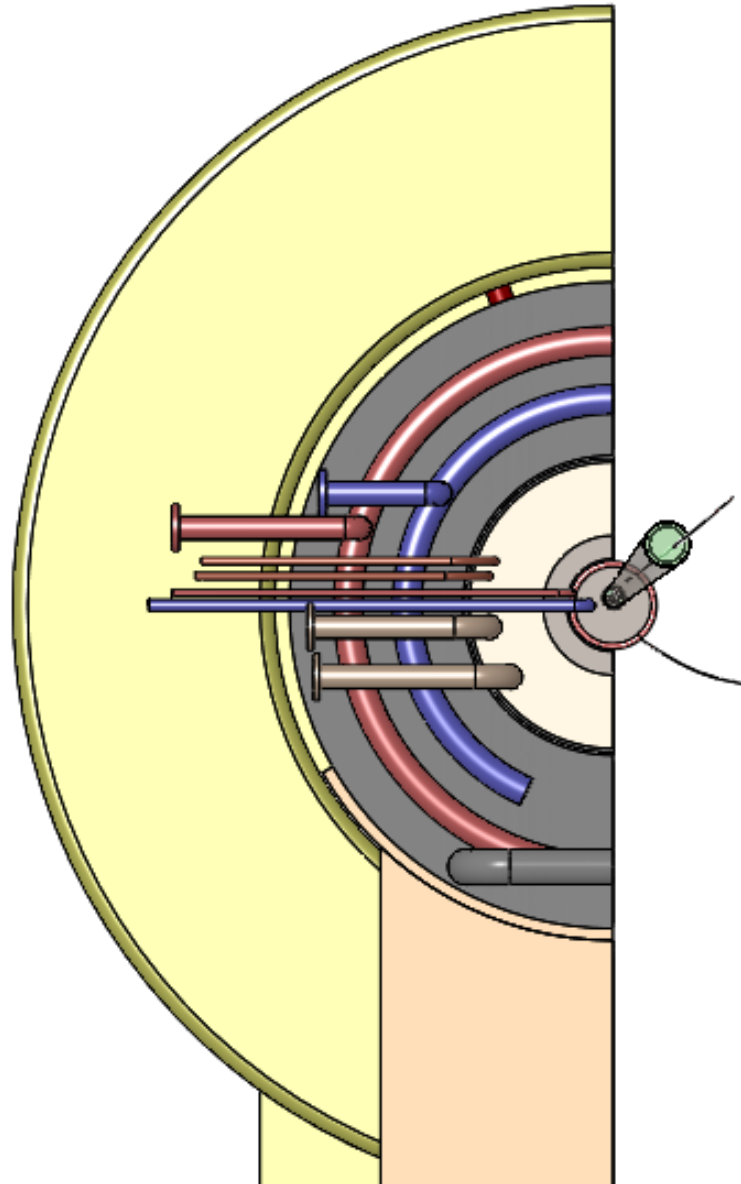
20to2T5mDL Elevation View



20to2T5mDL Plan View



20to2T5mDL End View (looking toward $+z$)



20to2T5mDL Isometric View

