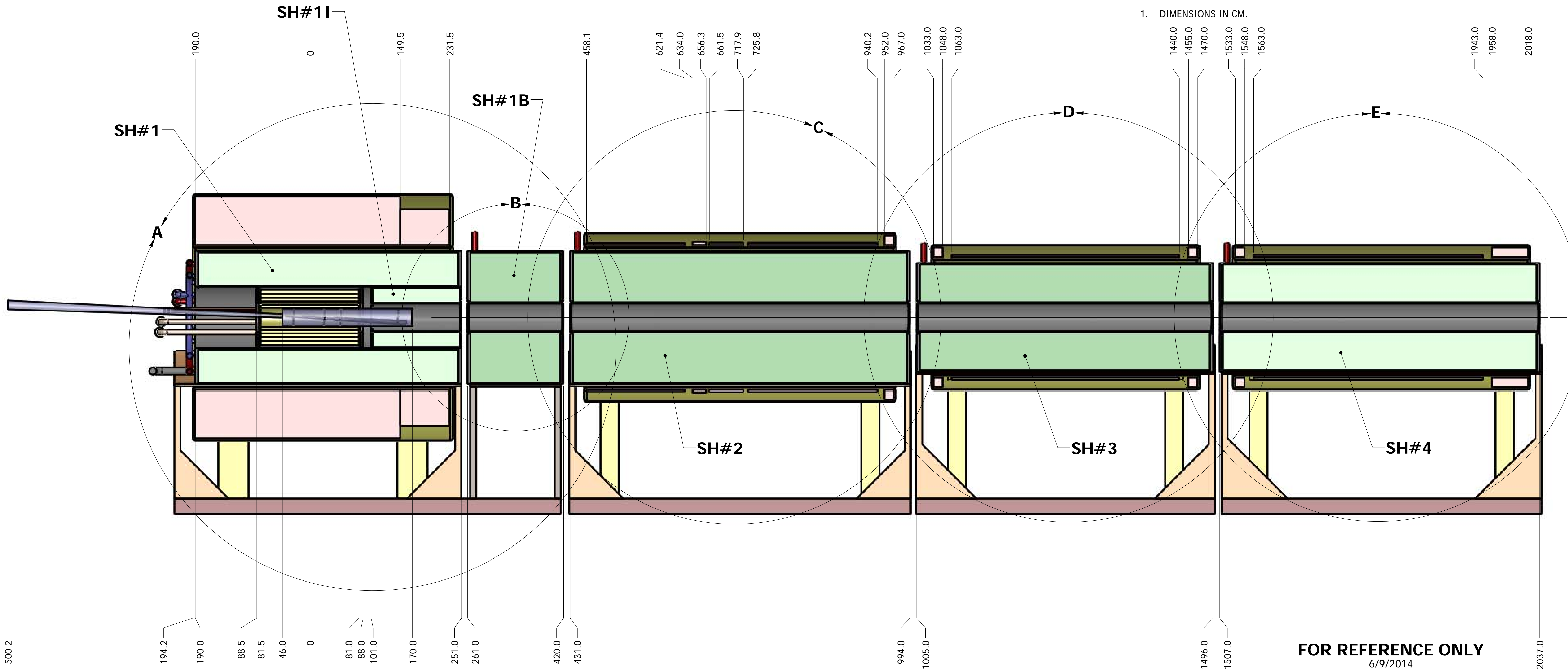


NO REPRESENTATION OR WARRANTY, EXPRESSED OR IMPLIED, IS MADE AS TO THE ACCURACY, COMPLETENESS OR USEFULNESS OF THE INFORMATION OR STATEMENTS CONTAINED IN THESE DRAWINGS, OR THAT THE DISCLOSURE OF ANY INFORMATION, APPARATUS, METHOD OR PROCESS DISCLOSED MAY NOT INFRINGE PRIVATE RIGHTS OF OTHERS. NO LIABILITY IS ASSUMED WITH RESPECT TO THE USE OF, OR FOR DAMAGES RESULTING FROM THE USE OF, ANY INFORMATION, APPARATUS, METHOD OR PROCESS DISCLOSED IN THESE DRAWINGS. DRAWINGS MADE AVAILABLE FOR INFORMATION TO BIDDER ARE NOT TO BE USED FOR OTHER PURPOSES AND ARE TO BE RETURNED UPON REQUEST OF THE FORWARDING CONTRACTOR.

REVISIONS					
REV	DESCRIPTION	BY	DATE	BY	APPROVED

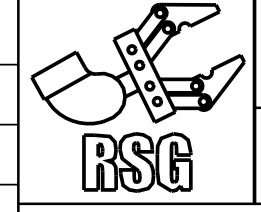
NOTES

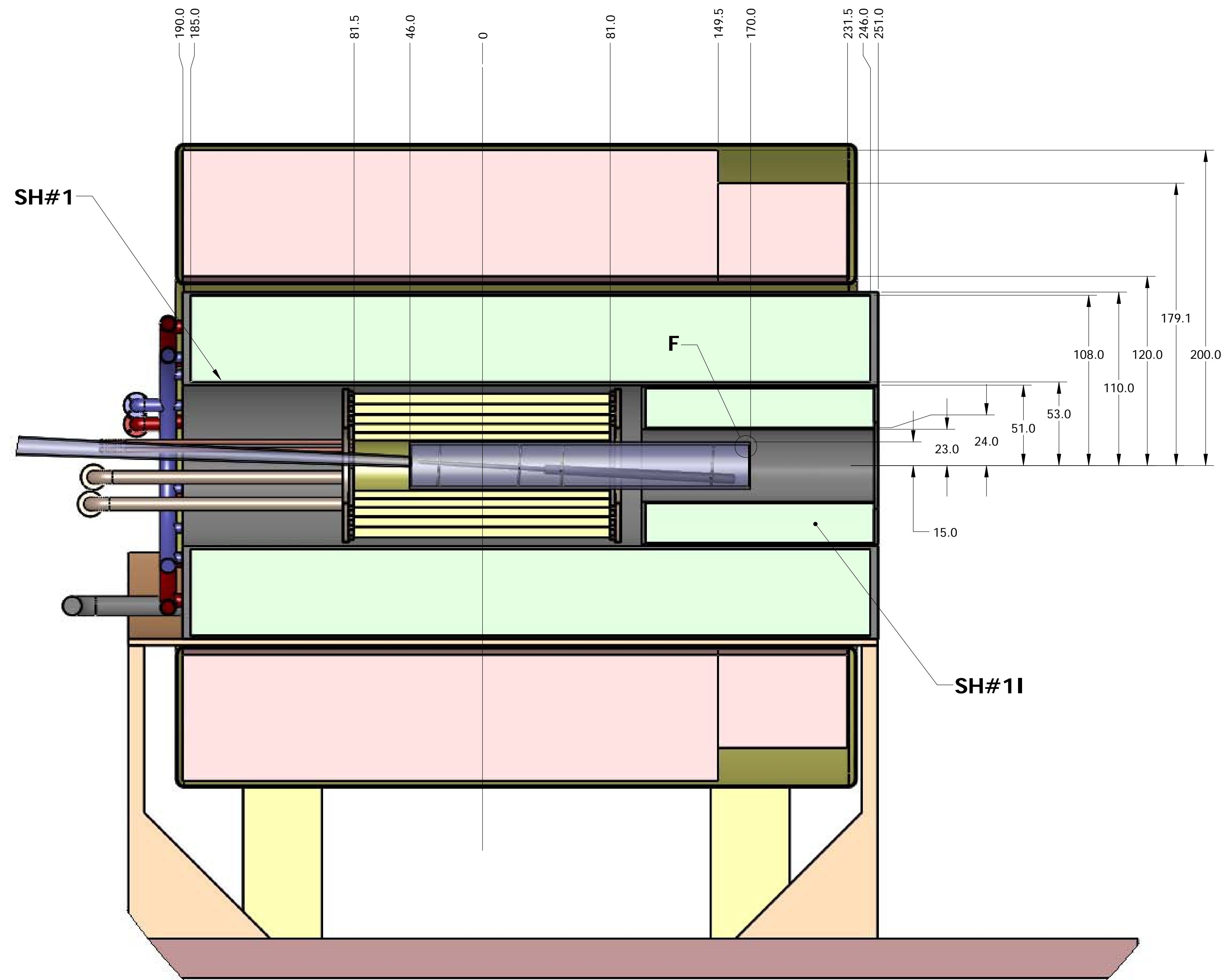
1. DIMENSIONS IN CM.



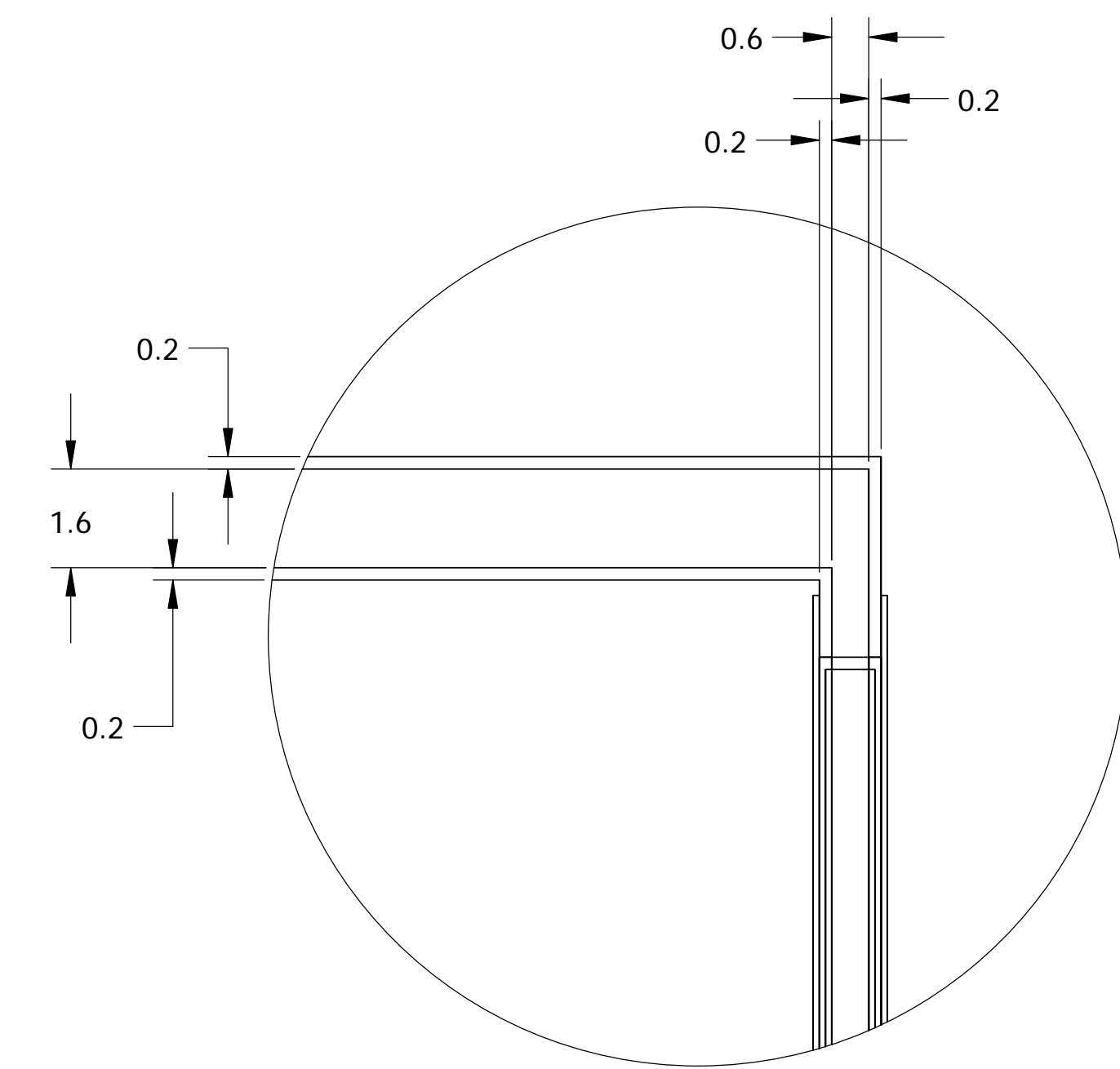
FOR REFERENCE ONLY
6/9/2014

MATERIAL:

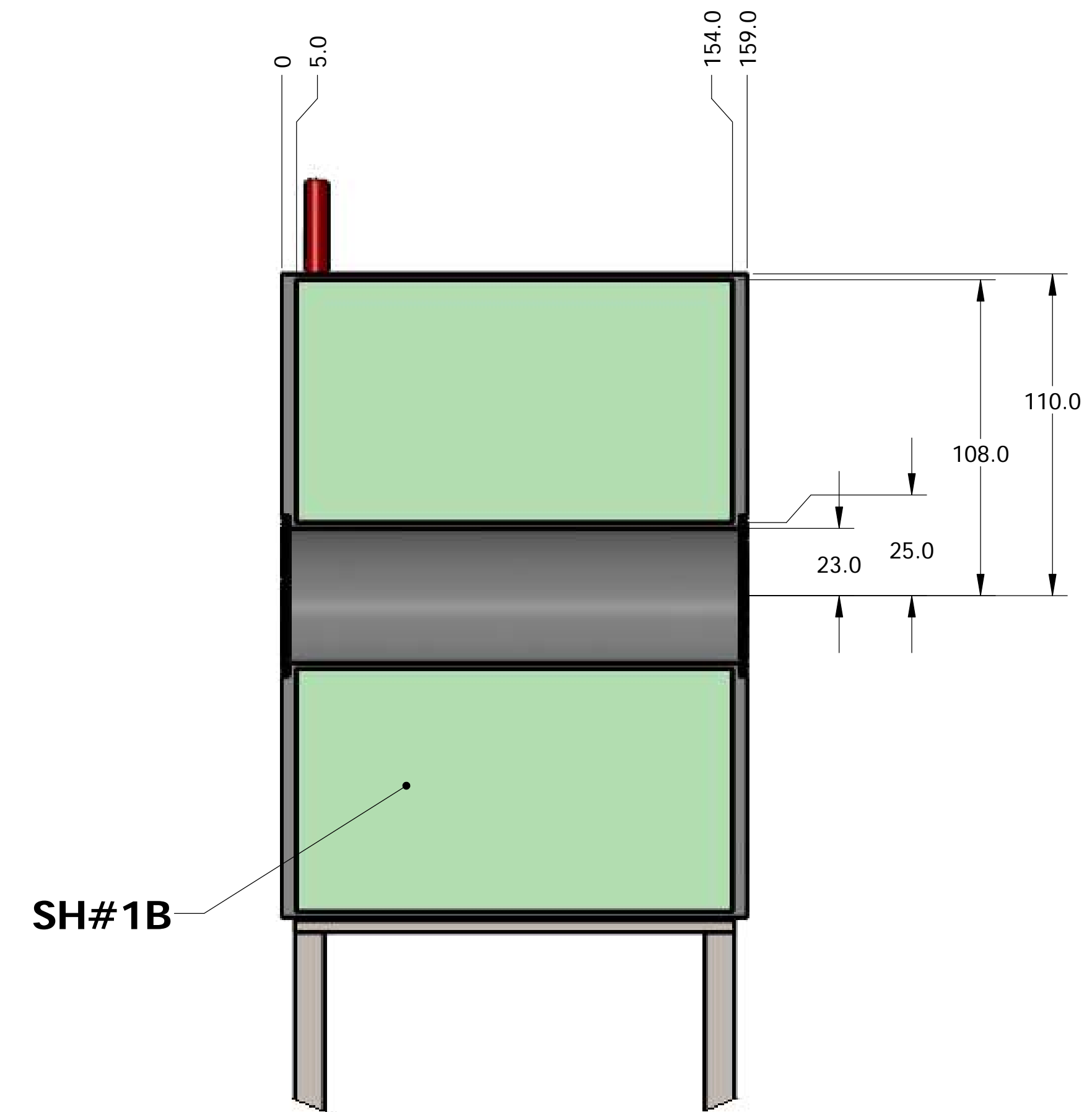
QUALITY VERIFICATION REQUIREMENTS DOCUMENTS		THIRD-ANGLE PROJECTION	APPROVALS		DATE		THIS DRAWING IS THE PROPERTY OF			
MATERIAL MILL TEST REPORT			DES				OAK RIDGE NATIONAL LABORATORY			
LEAK TEST REPORT		DRW			OPERATED FOR THE U.S. DEPARTMENT OF ENERGY UNDER					
CLEANING CERT		CHK			CONTRACT DE-AC05-00OR22725 OAK RIDGE, TN					
WELD / BRAZE INSPECTION REPORT		ENG			REMOTE SYSTEMS GROUP					
HEAT TREAT REPORT		QA			MUON ACCELERATOR PROGRAM					
DIMENSIONAL REPORT					SHIELDING CONFIGURATION					
MATERIAL SELLER CERT					20T02T5M120CM4PDL					
FUNCTIONAL TEST REPORT					TOTAL WEIGHT	LBS	SIZE	NEXT ASSY	DWG NO.	REV
DEVIATION REQUEST							D	----		2A
NONCONFORMANCE REPORT		DO NOT SCALE DRAWING	THIS DRAWING PRODUCED USING		SCALE	1:32	CAD FILE	target assy 20t02t5m120cm4pdl	SHEET	1 of 5



DETAIL A
SCALE 1 : 16



DETAIL F
SCALE 1 : 1



DETAIL B
SCALE 1 : 16

SIZE	NEXT ASSY	DWG NO.	REV
D	----		2A
SCALE	CAD FILE	SHEET	2 of 5
1:32	target assy 20to2T5m120cm4pDL		

8 7 6 5 4 3 2 1

D

D

C

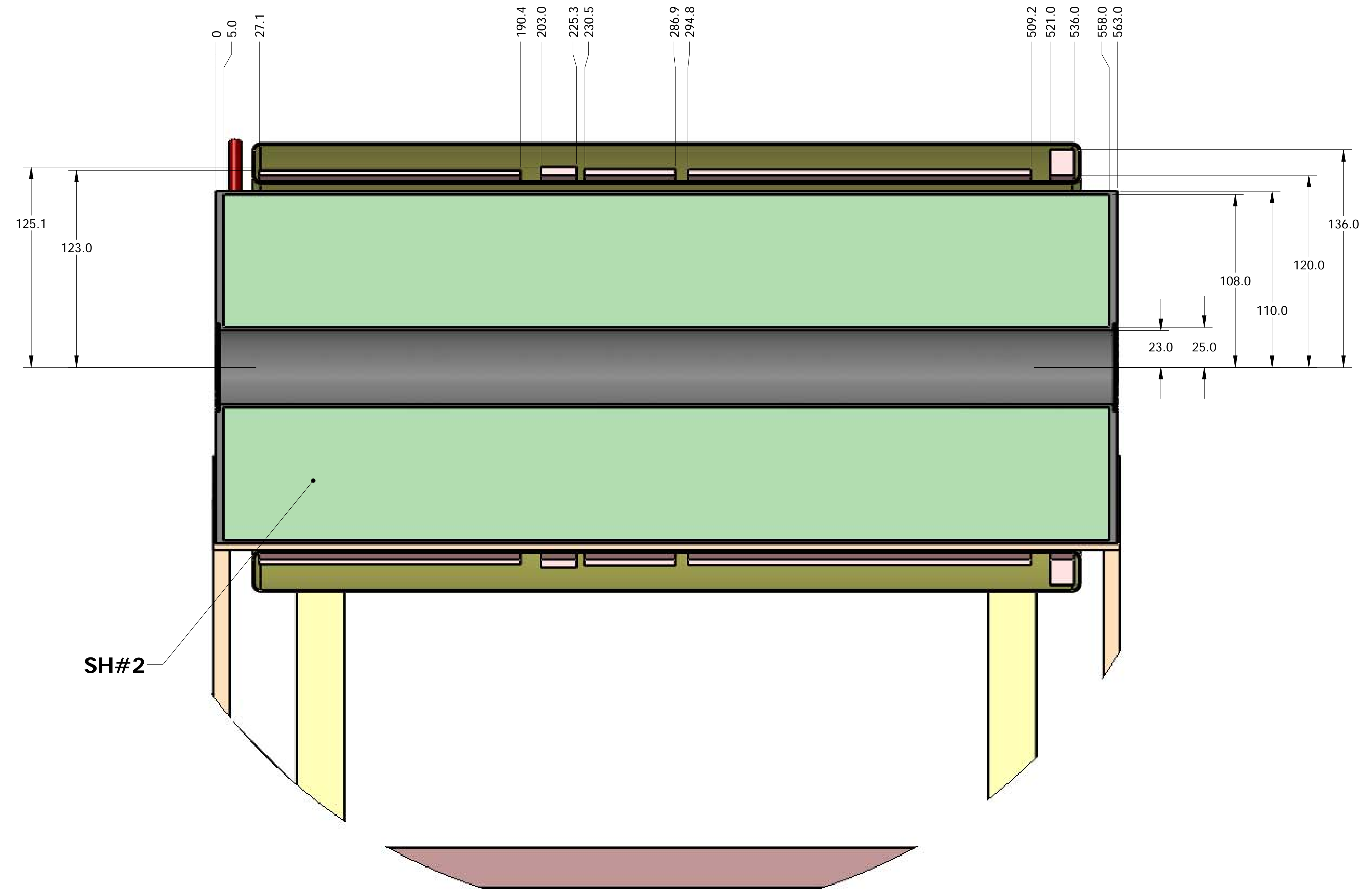
C

B

DWG NO.

A

A



DETAIL C
SCALE 1 : 16

SIZE D	NEXT ASSY ----	DWG NO.	REV 2A
SCALE 1:32	CAD FILE target assy 20to2T5m120cm4pDL	SHEET	3 of 5

8 7 6 5 4 3 2 1

8 7 6 5 4 3 2 1

D

D

C

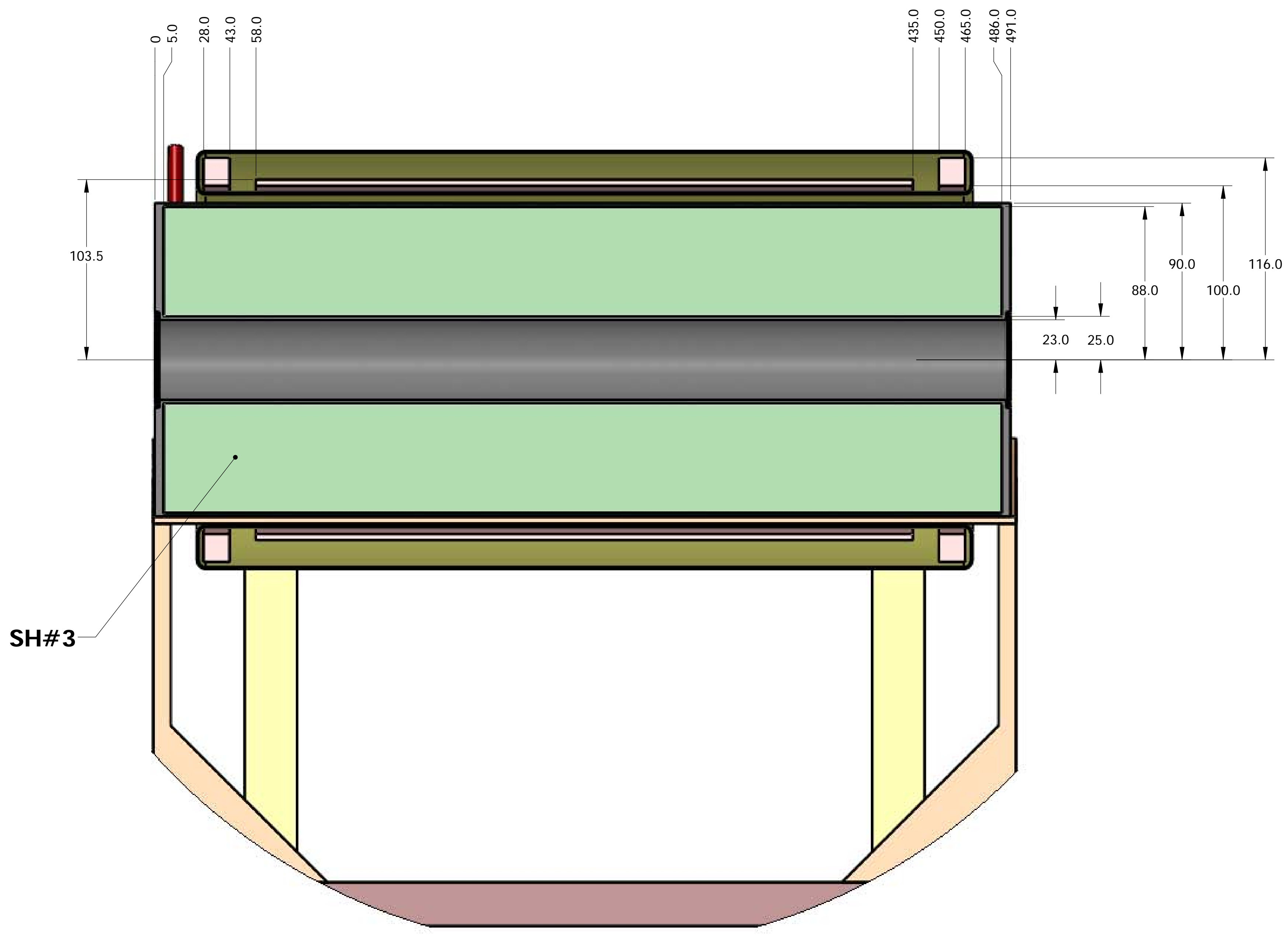
C

B

DWG NO.

A

A



DETAIL D
SCALE 1 : 16

SIZE	NEXT ASSY	DWG NO.	REV
D	----		2A
SCALE	CAD FILE	SHEET	4 of 5
1:32	target assy 20to2T5m120cm4pDL		

8 7 6 5 4 3 2 1

8 7 6 5 4 3 2 1

D

D

C

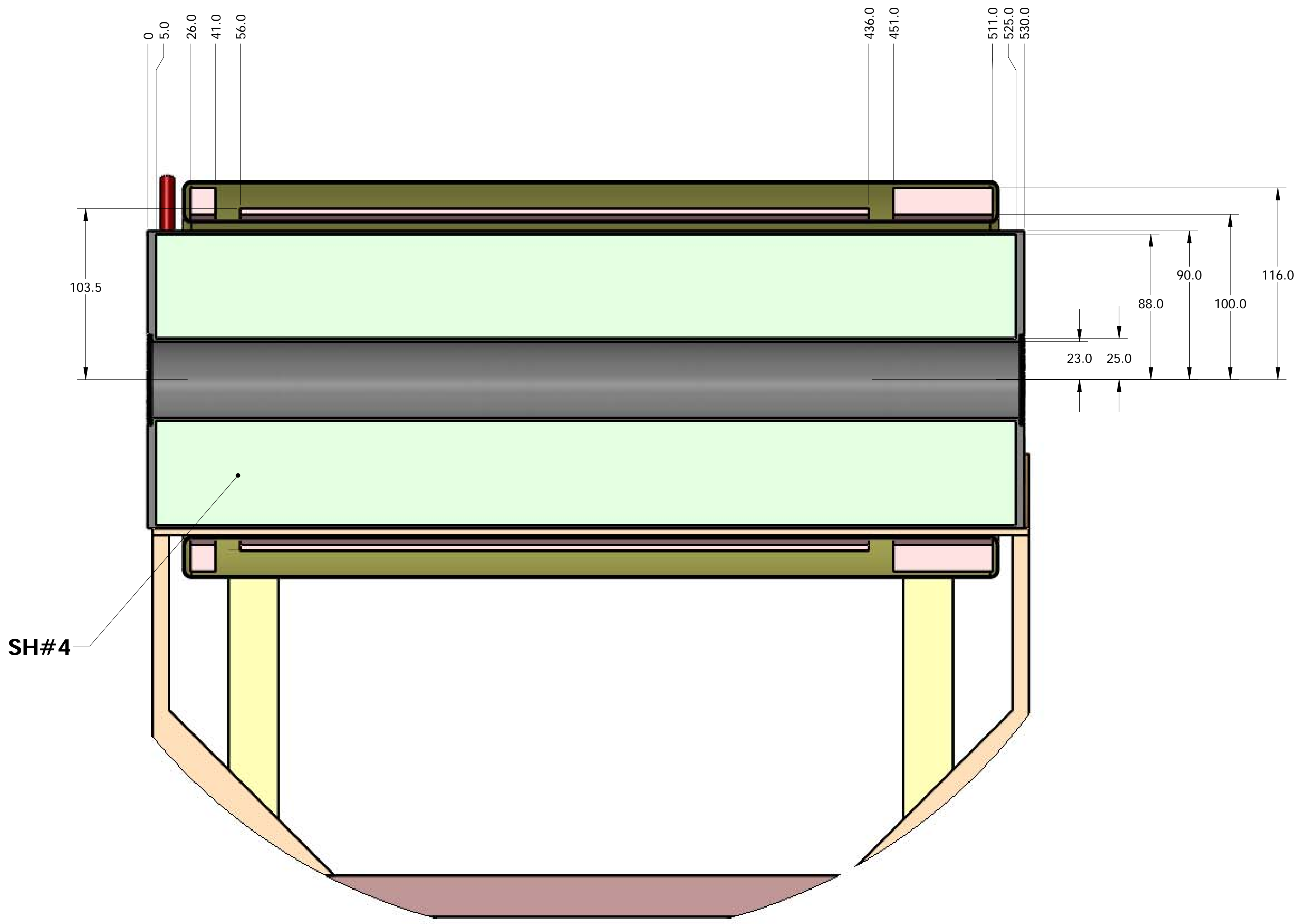
C

B

DWG NO.

A

A



DETAIL E
SCALE 1 : 16

SIZE D	NEXT ASSY ----	DWG NO.	REV 2A
SCALE 1:32	CAD FILE target assy 20to2T5m120cm4pDL	SHEET	5 of 5

8 7 6 5 4 3 2 1