



The High-Power Target Experiment

INTC Meeting

CERN

May 24, 2004



Harold G. Kirk
Brookhaven National Laboratory

Intense Proton Sources

World wide interest in the development of new MW-class proton drivers

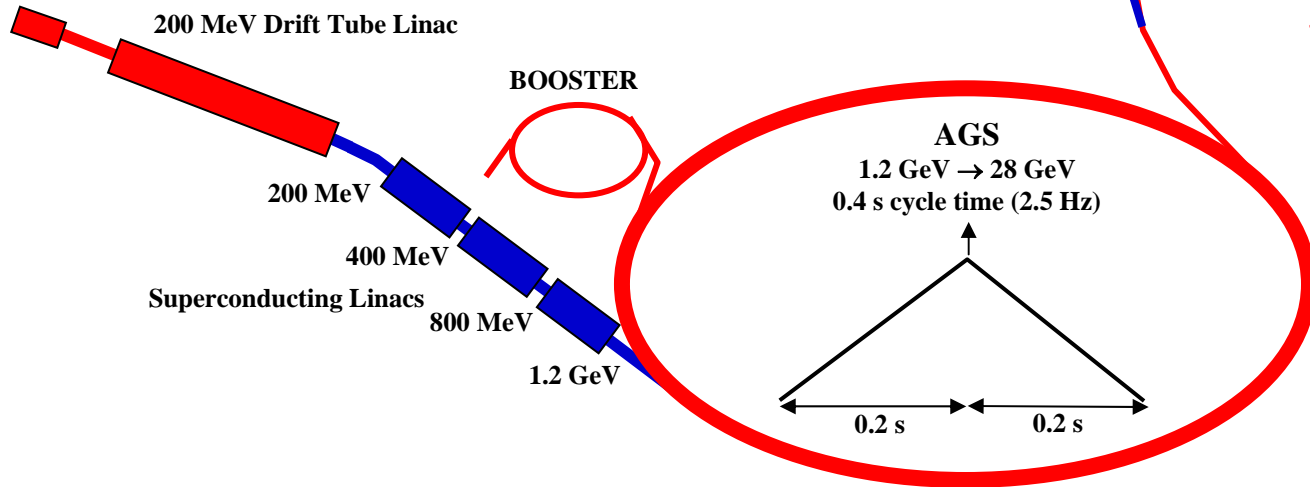
New physics opportunities utilizing intense secondary beams are presenting themselves

- Neutron Sources
 - European Spallation Source
 - US Spallation Neutron Source
 - Japanese Neutron Source
- Kaons
 - RSVP at BNL
 - KAMI at FNAL
- Muons
 - MECO and g-2 at BNL
 - SINDRUM at PSI
 - EDM at JPARC
 - Muon Collider
- Neutrinos
 - Superbeams
 - Neutrino Factories
 - Beta-beams

Multi-MW New Proton Machines

SNS at 1.2 MW	→	2.0 MW	
JPARC 0.7 MW	→	4.0 MW	
FNAL 0.4 MW	→	1.2 MW	→ 2.0 MW
BNL 0.14 MW	→	1.0 MW	→ 4.0 MW

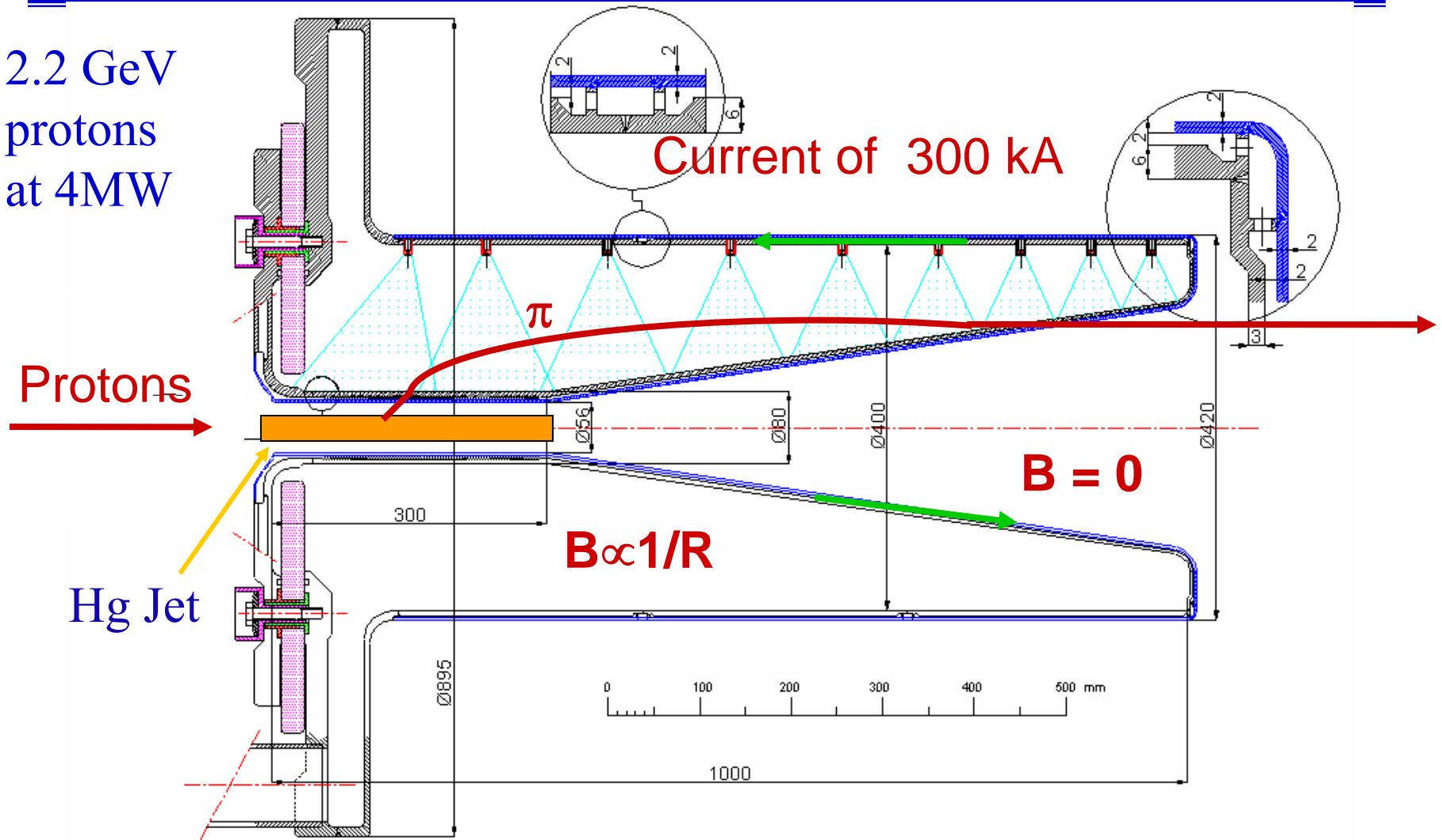
High Intensity Source
 plus RFQ



**AGS Upgrade
 to 1 MW**

The SPL Neutrino Horn

2.2 GeV
 protons
 at 4MW

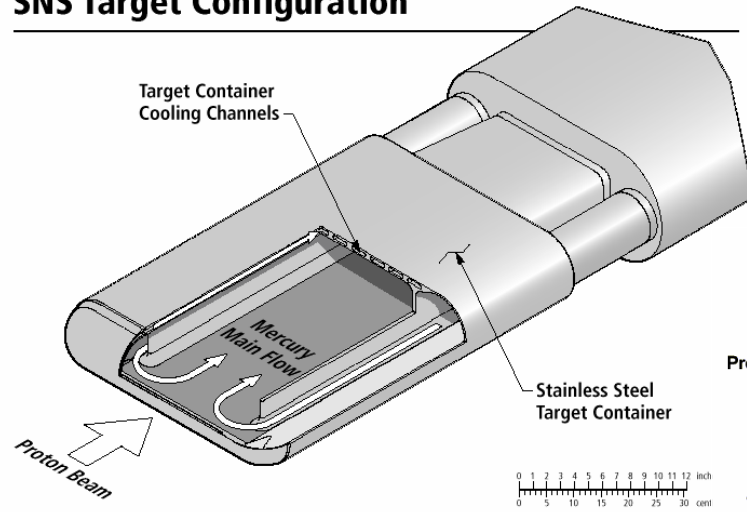


NEUTRINO FACTORY - Horn 1 prototype

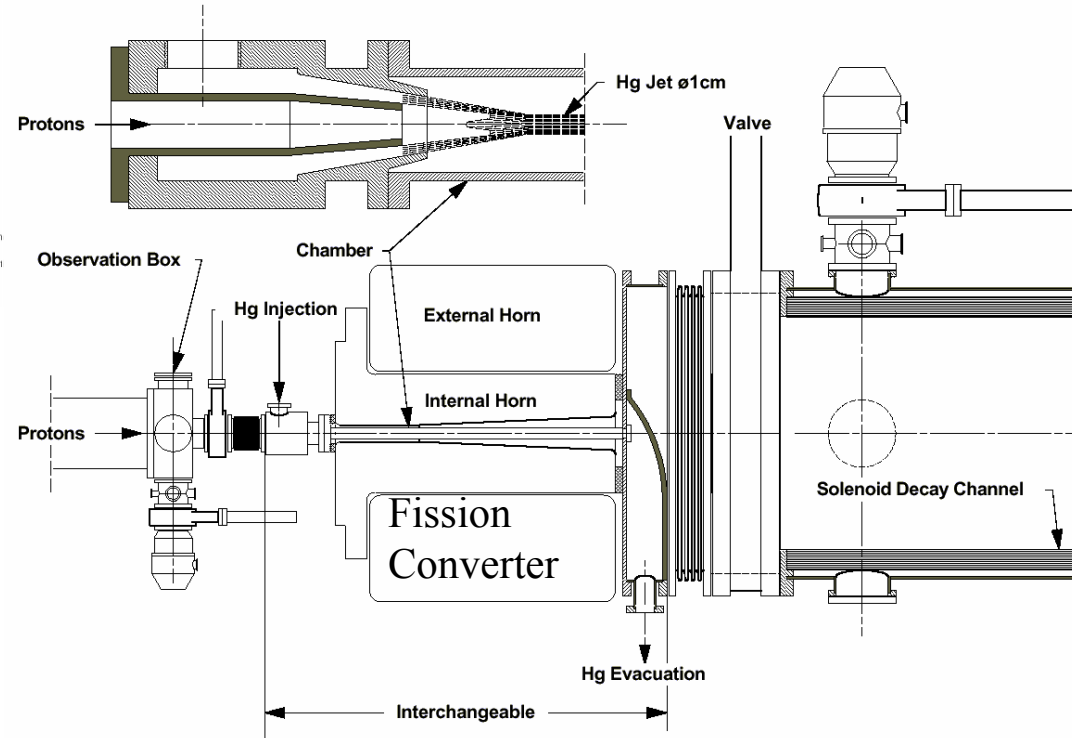
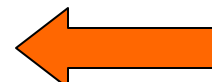
S. Rangod
 15/05/2001

Neutron Production using Hg

SNS Target Configuration



SNS Neutron Spallation Target



Beta Beams



High-power Targetry Challenges

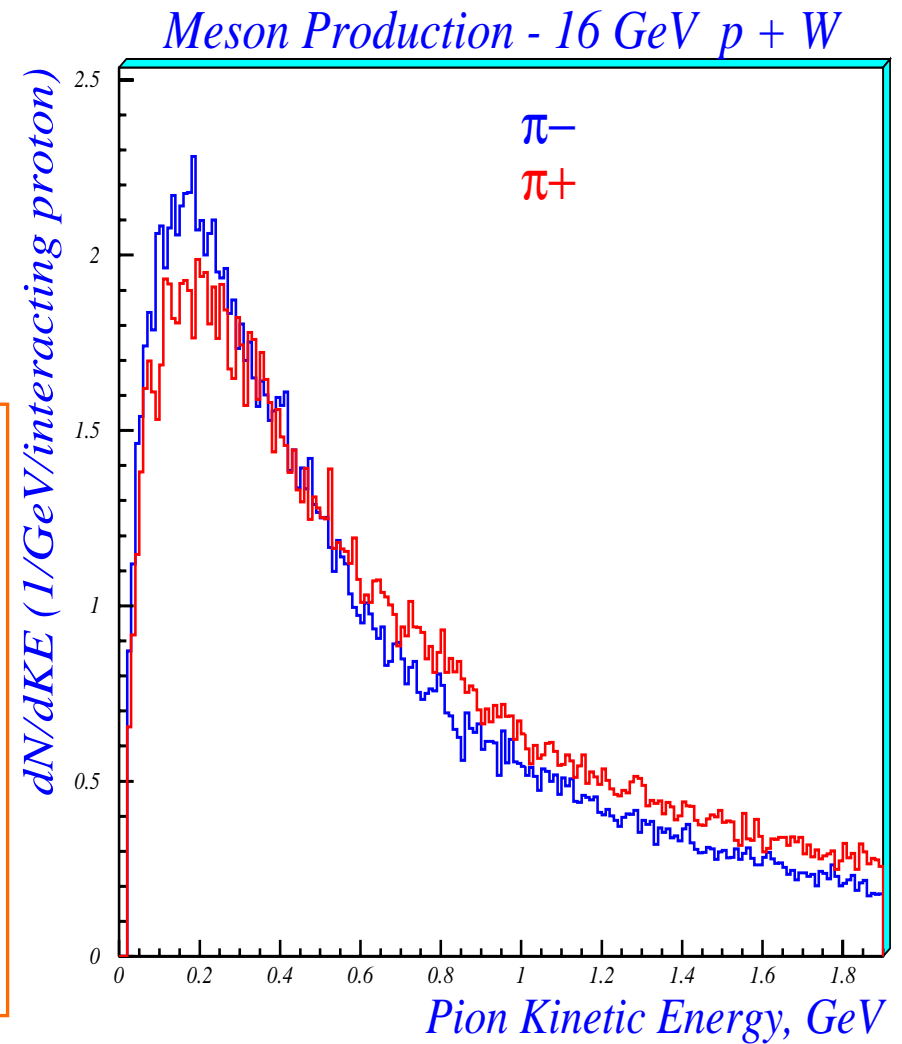
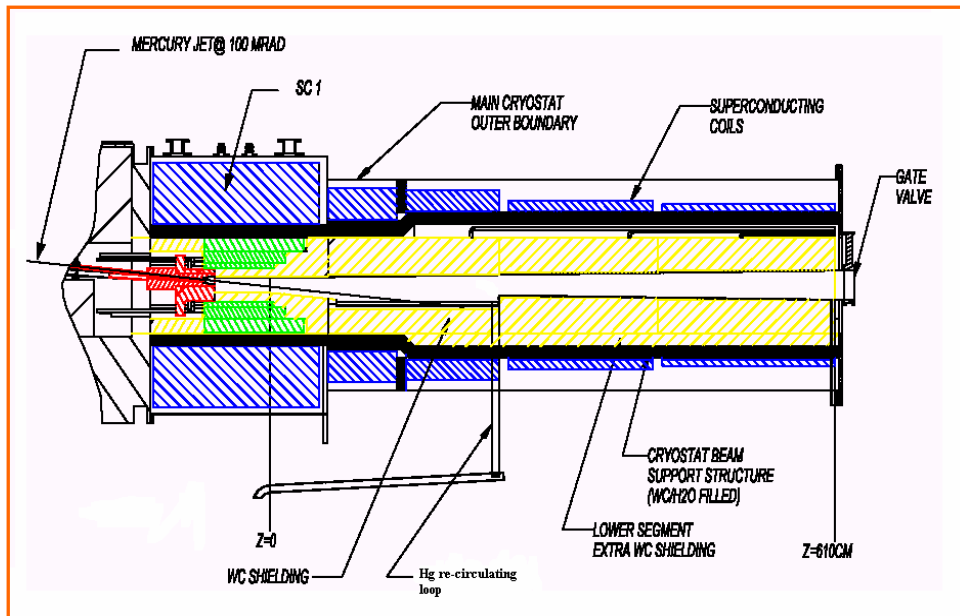
High-average power and High-peak power issues

- Thermal management
 - Target melting
 - Target vaporization
- Thermal shock
 - Beam-induced pressure waves
- Radiation
 - Material properties
 - Radioactivity inventory
 - Remote handling

Achieving Intense Muon Beams

Maximize Pion/Muon Production

- Soft Pion Production
- High-Z material
- High Magnetic Field



High-Z Materials

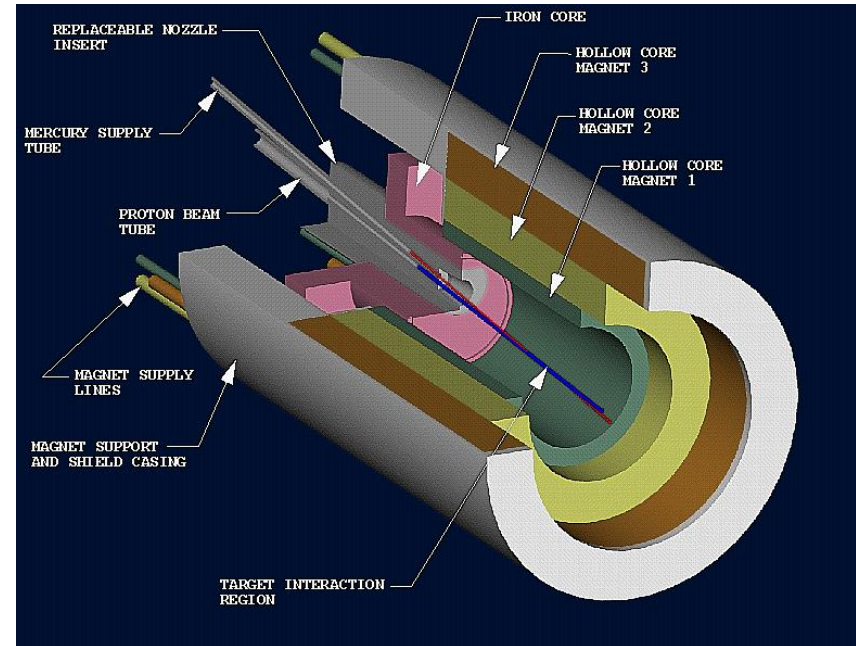
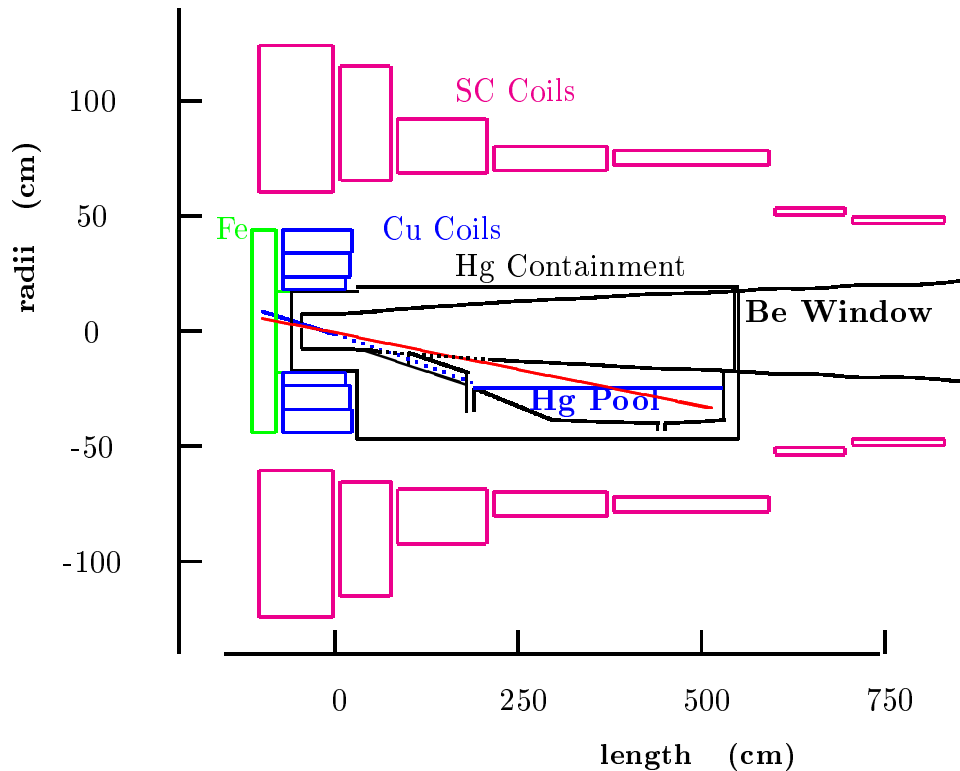
Key Properties

- Maximal soft-pion production
- Both pion signs are collected
- Liquid (Hg) has potential for extension beyond 4 MW

Key Issues

- High pion absorption
- High peak energy deposition
- Jet dynamics in a high-field solenoid
- Target disruption in a high-field solenoid
- Achievement of near-laminar flow for a 20 m/s jet

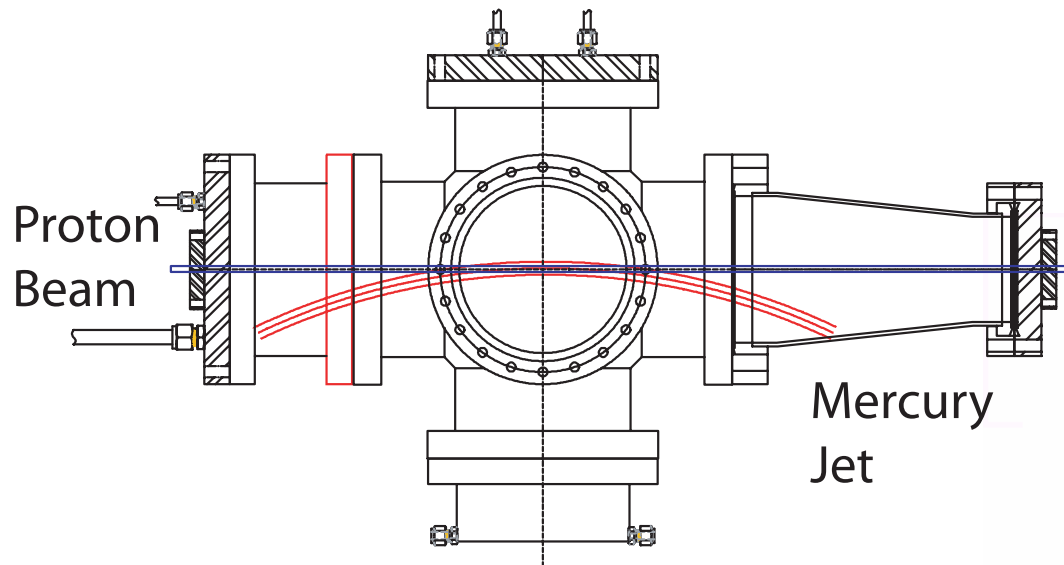
Neutrino Factory Targetry Concept



Capture low P_T pions in a high-field solenoid
 Use Hg jet tilted with respect to solenoid axis
 Use Hg pool as beam dump

Engineered solution--P. Spampinato, ORNL

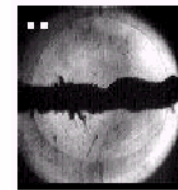
E951 Hg Jet Tests



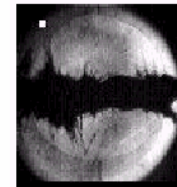
- 1cm diameter Hg Jet
- $V = 2.5$ m/s
- 24 GeV 4 TP Proton Beam
- No Magnetic Field



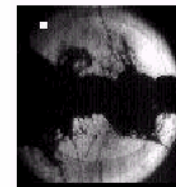
t = 0 ms



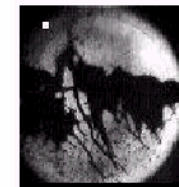
t = 0.75 ms



t = 2 ms



t = 7 ms

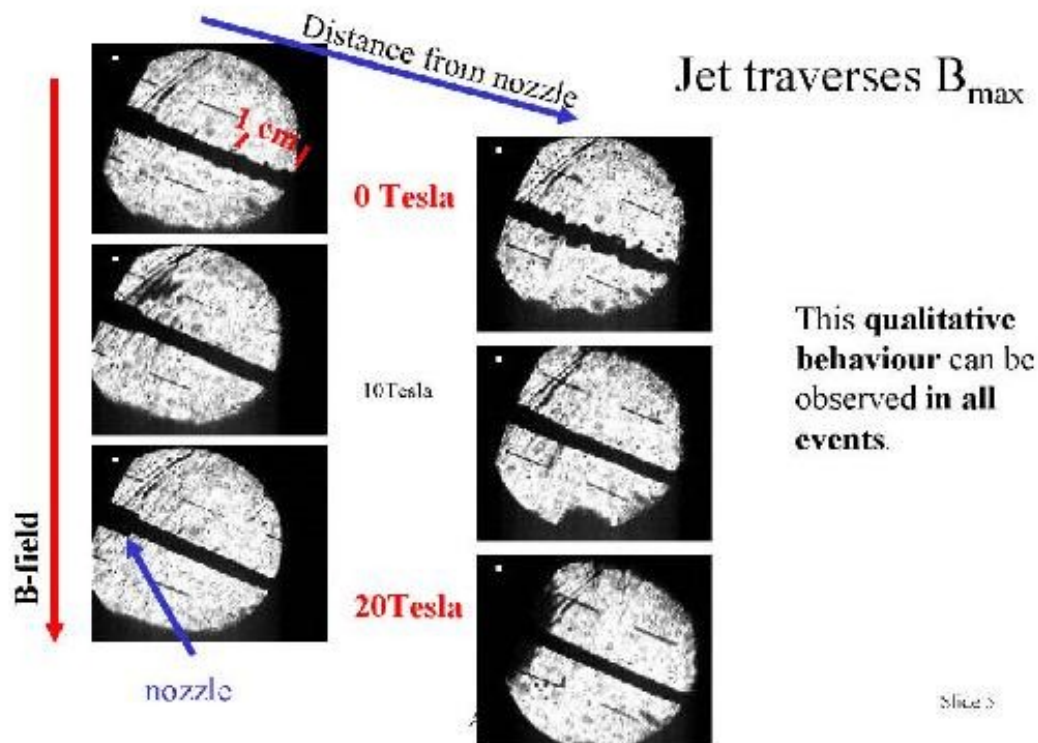


t = 18 ms

Key E951 Results

- Hg jet dispersal proportional to beam intensity
- Hg jet dispersal ~ 10 m/s for 4 TP 24 GeV beam
- Hg jet dispersal velocities $\sim 1/2$ times that of “confined thimble” target
- Hg dispersal is largely transverse to the jet axis -- longitudinal propagation of pressure waves is suppressed
- Visible manifestation of jet dispersal delayed $40 \mu\text{s}$

CERN/Grenoble Hg Jet Tests



- 4 mm diameter Hg Jet
- $v = 12$ m/s
- 0, 10, 20T Magnetic Field
- No Proton Beam

A. Fabich, J. Lettry
 Nufact'02

Slide 3

Key Jet/Magnetic Field Results

- The Hg jet is stabilized by the 20 T magnetic field
- Minimal jet deflection for 100 mrad angle of entry
- Jet velocity reduced upon entry to the magnetic field

Bringing it all Together

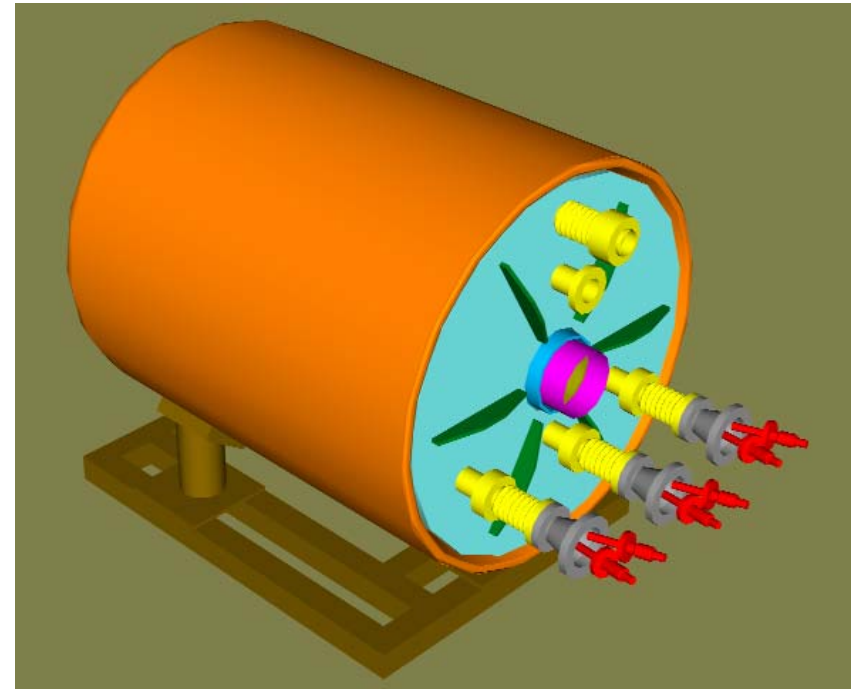
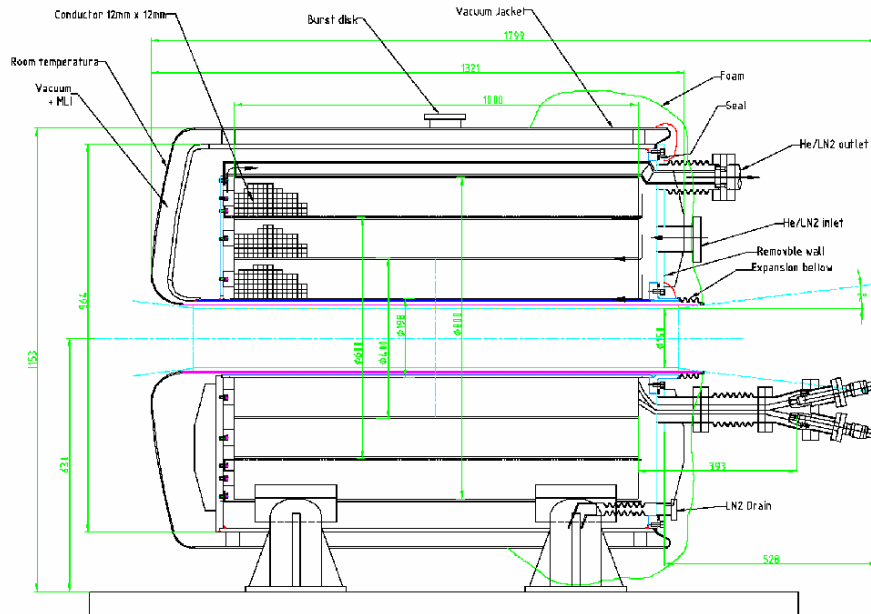
We wish to perform a proof-of-principle test which will include:

- A high-power intense proton beam (16 to 32 TP per pulse)
- A high ($\geq 15\text{T}$) solenoidal field
- A high ($> 10\text{m/s}$) velocity Hg jet
- A $\sim 1\text{cm}$ diameter Hg jet

Experimental goals include:

- Studies of 1cm diameter jet entering a 15T solenoid magnet
- Studies of the Hg jet dispersal provoked by an intense pulse of a proton beam in a high solenoidal field
- Studies of the influence of entry angle on jet performance
- **Confirm Neutrino factory/Muon Collider Targetry concept**

High Field Pulsed Solenoid

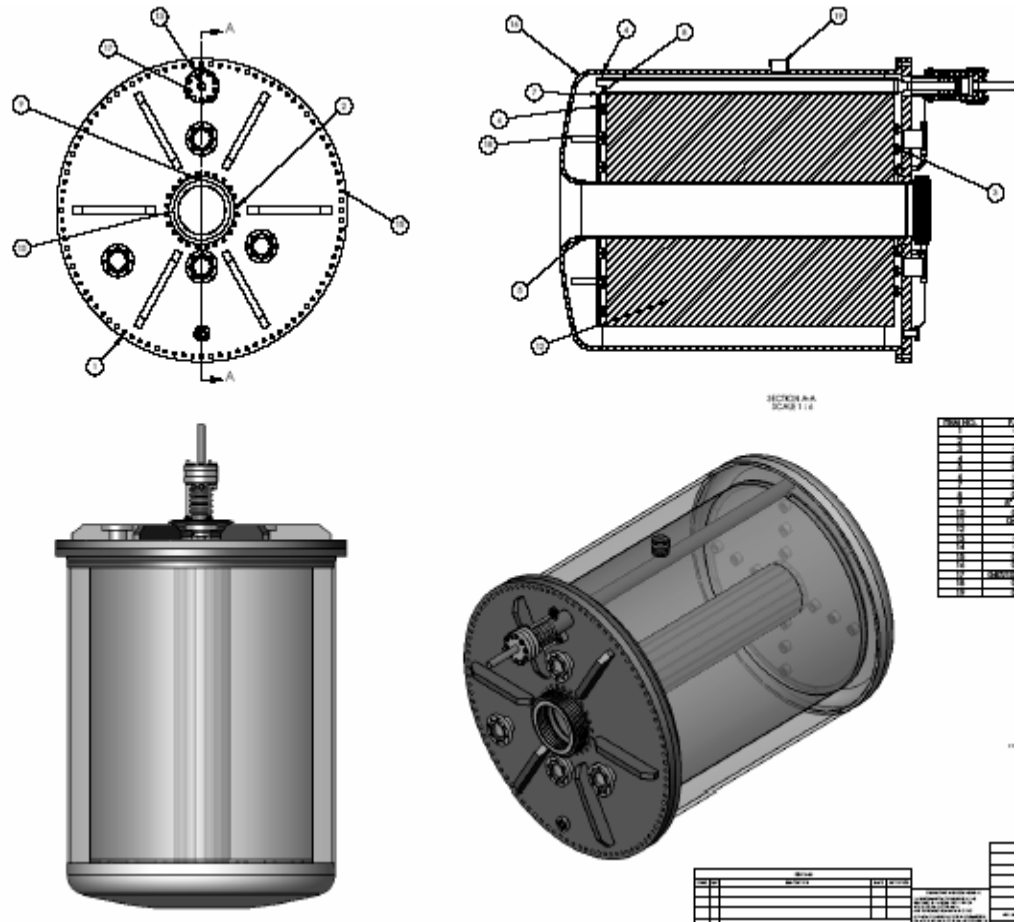


- 69° K Operation
- 15 T with 4.5 MVA Pulsed Power
- 15 cm warm bore
- 1 m long beam pipe

Peter Titus, MIT

Fabrication Contract has been Awarded

CVIP has been awarded the contract for the pulsed solenoid. They are responsible for the cryostat and integration of the coil package into the cryostat. We are now receiving build-to-print drawings from CVIP for approval. Scheduled delivery is Nov. 2004



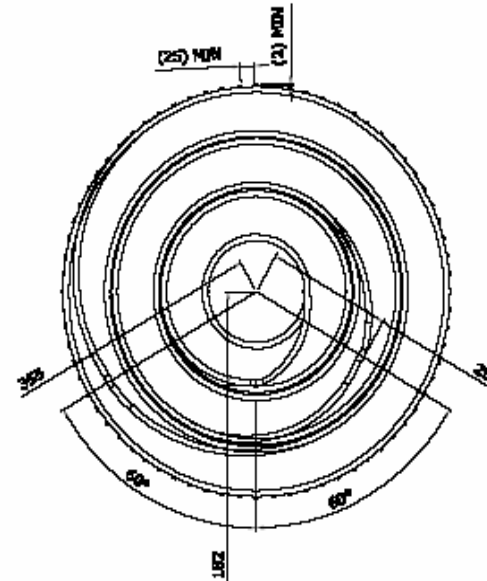
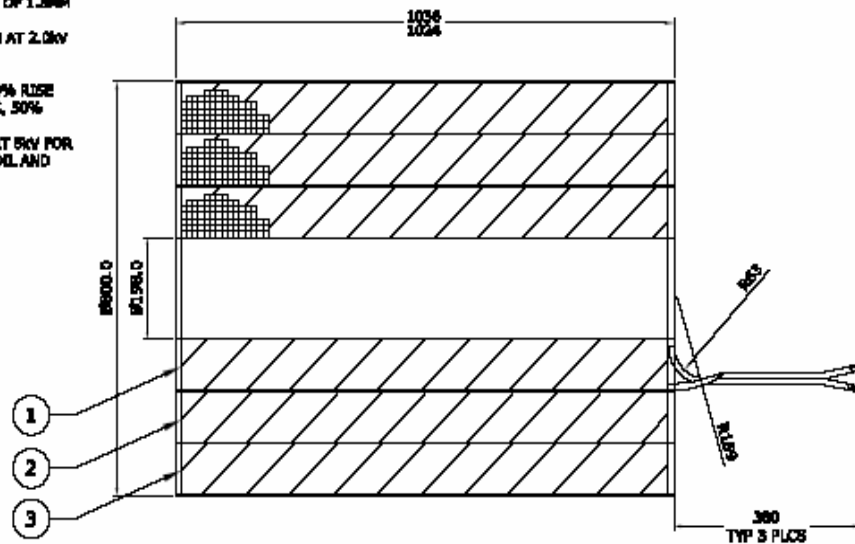
Coil Fabrication

Everson Tesla, Inc has been sub-contracted to fabricate the coils

NOTES:

- 1) UNLESS OTHERWISE NOTED, COILS TO BE WOUND, INSULATED, EPOXY IMPREGNATED, AND TESTED PER MPO 53004.
- 2) COOLING CHANNELS TO BE CLEANED OF ALL OBSTRUCTIONS WITHIN CROSS-SECTION OF 1.5MM X 2.5MM.
- 3) RESISTANCE TEST >10 MΩ AT 2.0KV COIL-TO-COIL AND COIL-TO-GROUND.
- 4) PRI TEST, 10μSEC, 90% RISE TIME AND 10 TO 30 μSEC, 50% DECAY TIME AT 28KV.
- 5) HI-POT TEST <90μA AT 5KV FOR 30 SECONDS COIL-TO-COIL AND COIL-TO-GROUND.

REV	DESCRIPTION	DATE	EGN	APPR
-----	-------------	------	-----	------



Possible Target Test Station Sites

Accelerator Complex Parameters:

Parameter	BNL AGS	CERN PS	RAL ISIS	LANCE WNR	JPARC RCS	JPARC MR
Proton Energy, GeV	24	24	0.8	0.8	3	50
p/bunch, 10^{12}	6	4 (7 CNGS)	10	28	42	42
Bunch/cycle	12	8	2	1	2	9
p/cycle, 10^{12}	72	28 (56 CNGS)	20	28	83	300
Cycle length, μs	2.2	2.0	0.3	0.25	0.6	4.2
Availability (?)	07	06	06	Now	08	09

Proposal to Isolde and nToF Committee

CERN-INTC-2003-033
INTC-I-049
26 April 2004

A Proposal to
the ISOLDE and Neutron Time-of-Flight Experiments
Committee

**Studies of a Target System for
a 4-MW, 24-GeV Proton Beam**

J. Roger J. Bennett¹, Luca Bruno², Chris J. Densham¹, Paul V. Drumm¹,
T. Robert Edgecock¹, Tony A. Gabriel³, John R. Haines³, Helmut Haseroth²,
Yoshinari Hayato⁴, Steven J. Kahn⁵, Jacques Lettry², Changguo Lu⁶, Hans Ludewig⁵,
Harold G. Kirk⁵, Kirk T. McDonald⁶, Robert B. Palmer⁵, Yarema Prykarpatsky⁵,
Nicholas Simos⁵, Roman V. Samulyak⁵, Peter H. Thieberger⁵, Koji Yoshimura⁴

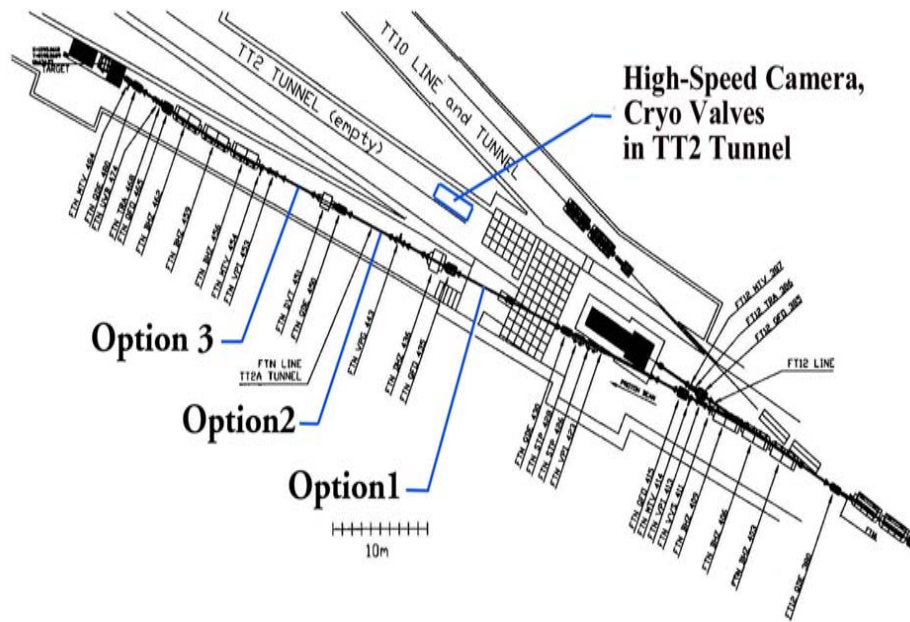
Spokespersons: H.G. Kirk, K.T. McDonald
Local Contact: H. Haseroth

Participating Institutions

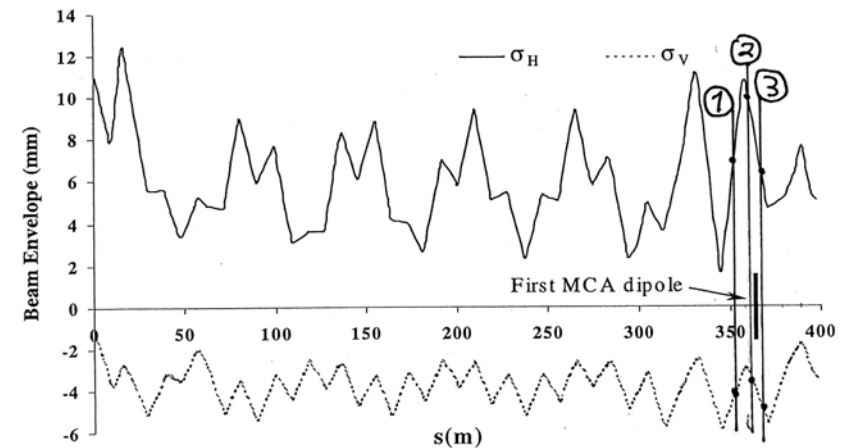
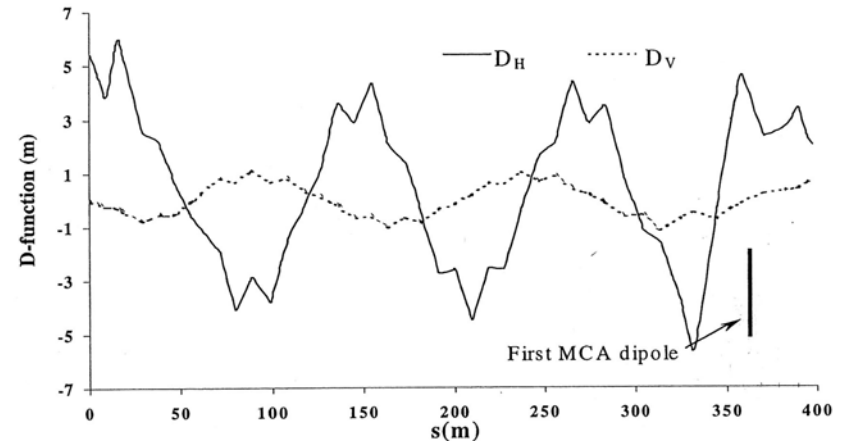
- 1) RAL
- 2) CERN
- 3) KEK
- 4) BNL
- 5) ORNL
- 6) Princeton University

Proposal submitted April 26, 2004

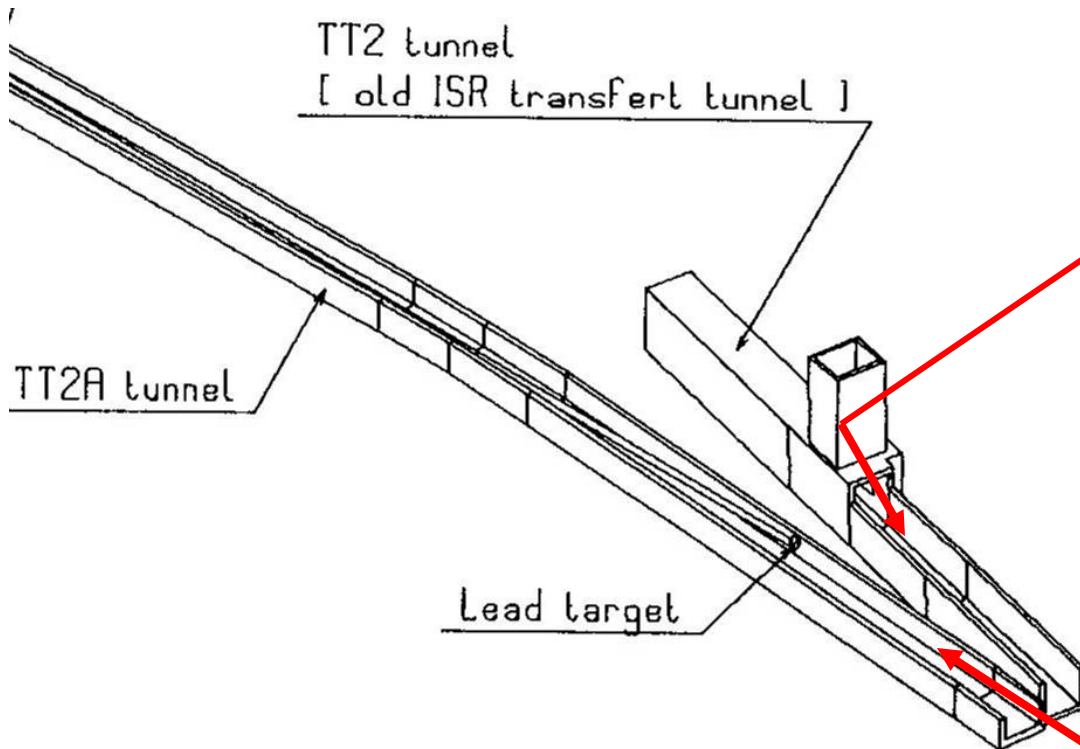
The TT2a Beam Line



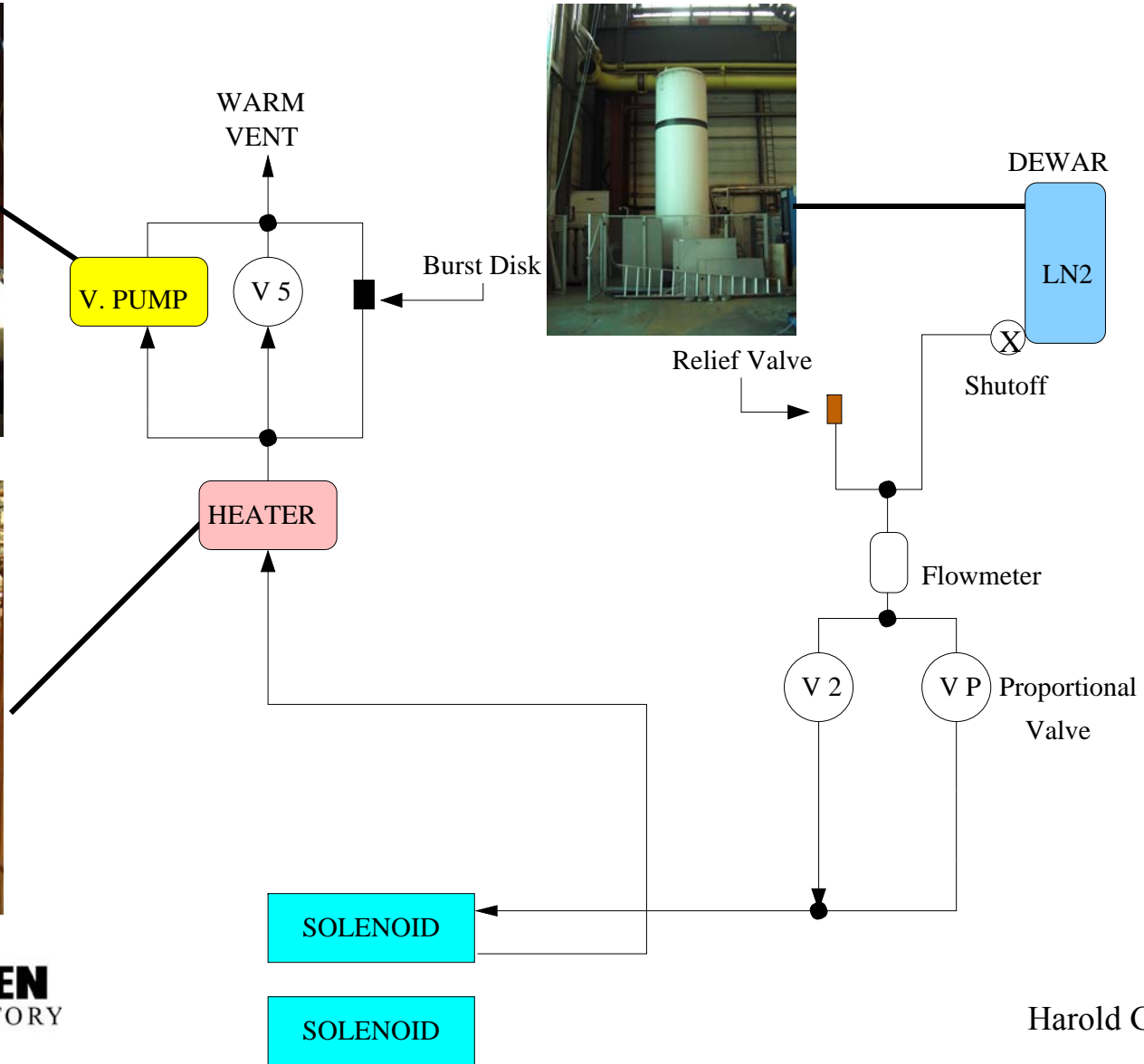
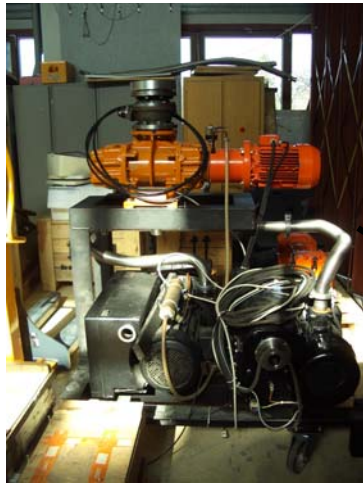
We propose running without longitudinal bunch compression allowing for a reduced beam spot size of $\sim 2\text{mm}$ rms radius.



The TT2 Tunnel Complex

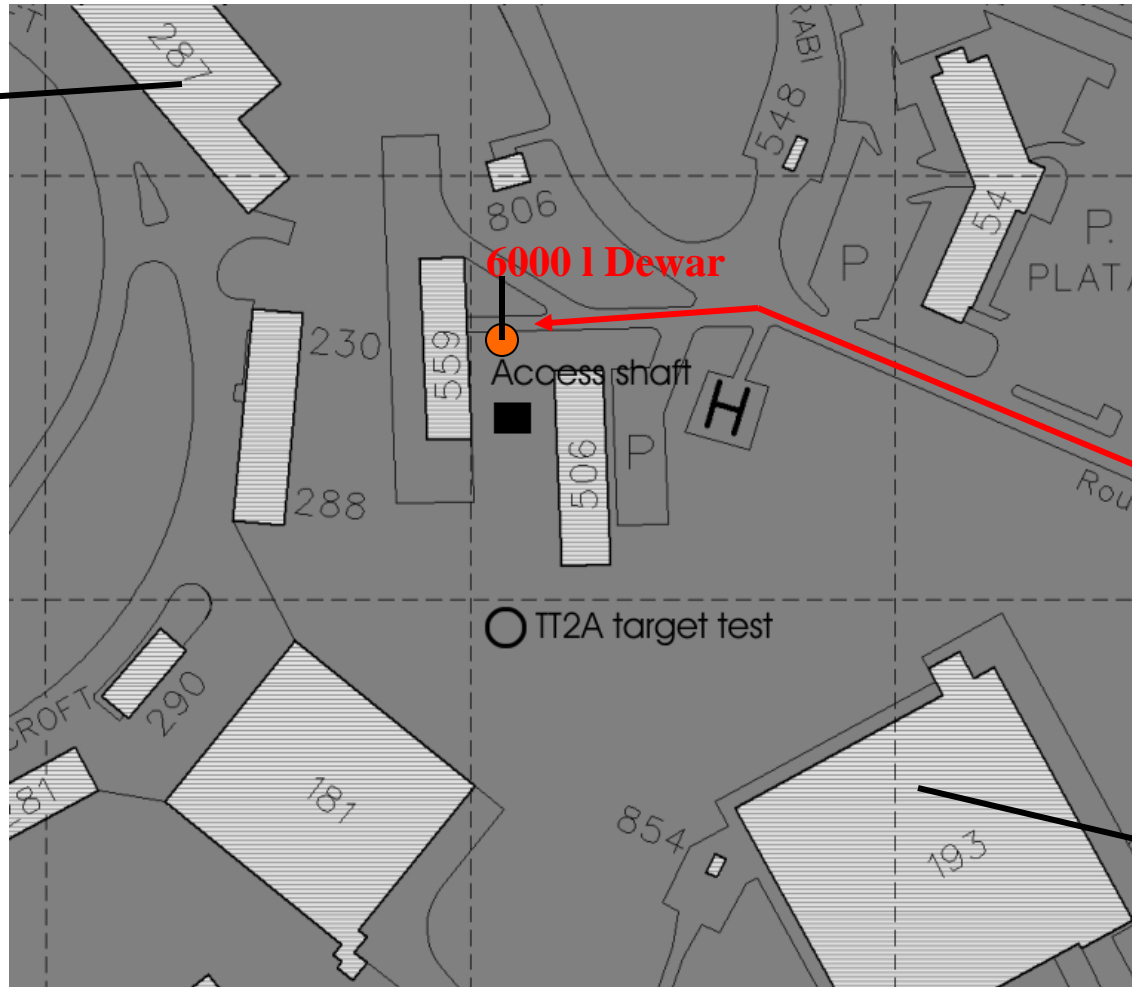


Cryogenic Flow Scheme



Surface above the ISR

Two 18kV sub-stations

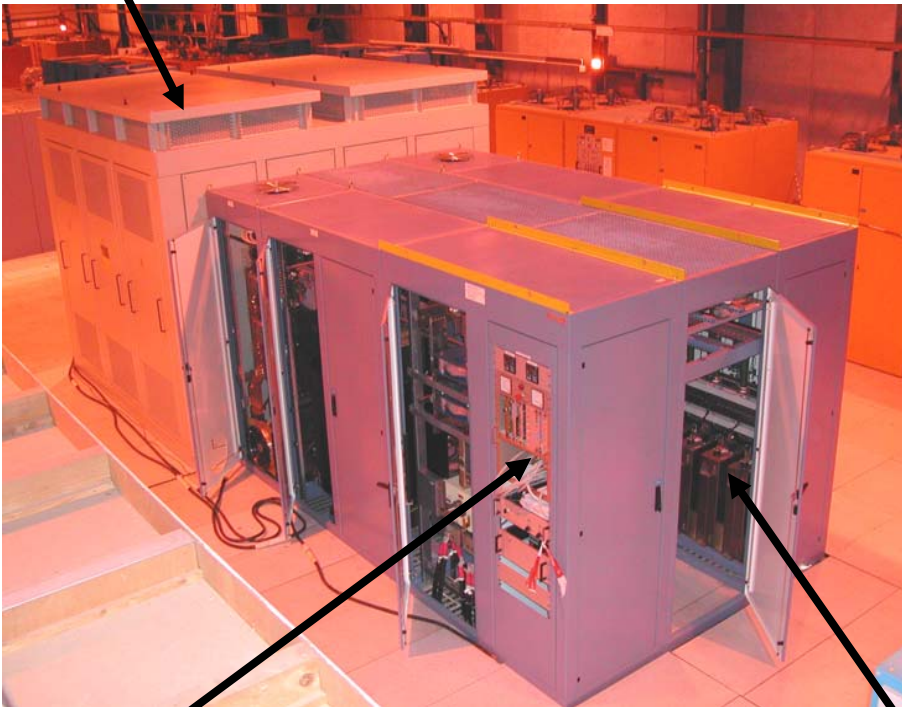


Access Route

One 18kV Sub-station

CERN proposed power supply solution type ALICE/LHCb, rated 950V, 6500A

2 x Power transformers in parallel, housed in the same cubicle



High precision current control electronics

2 x rectifier bridges in parallel

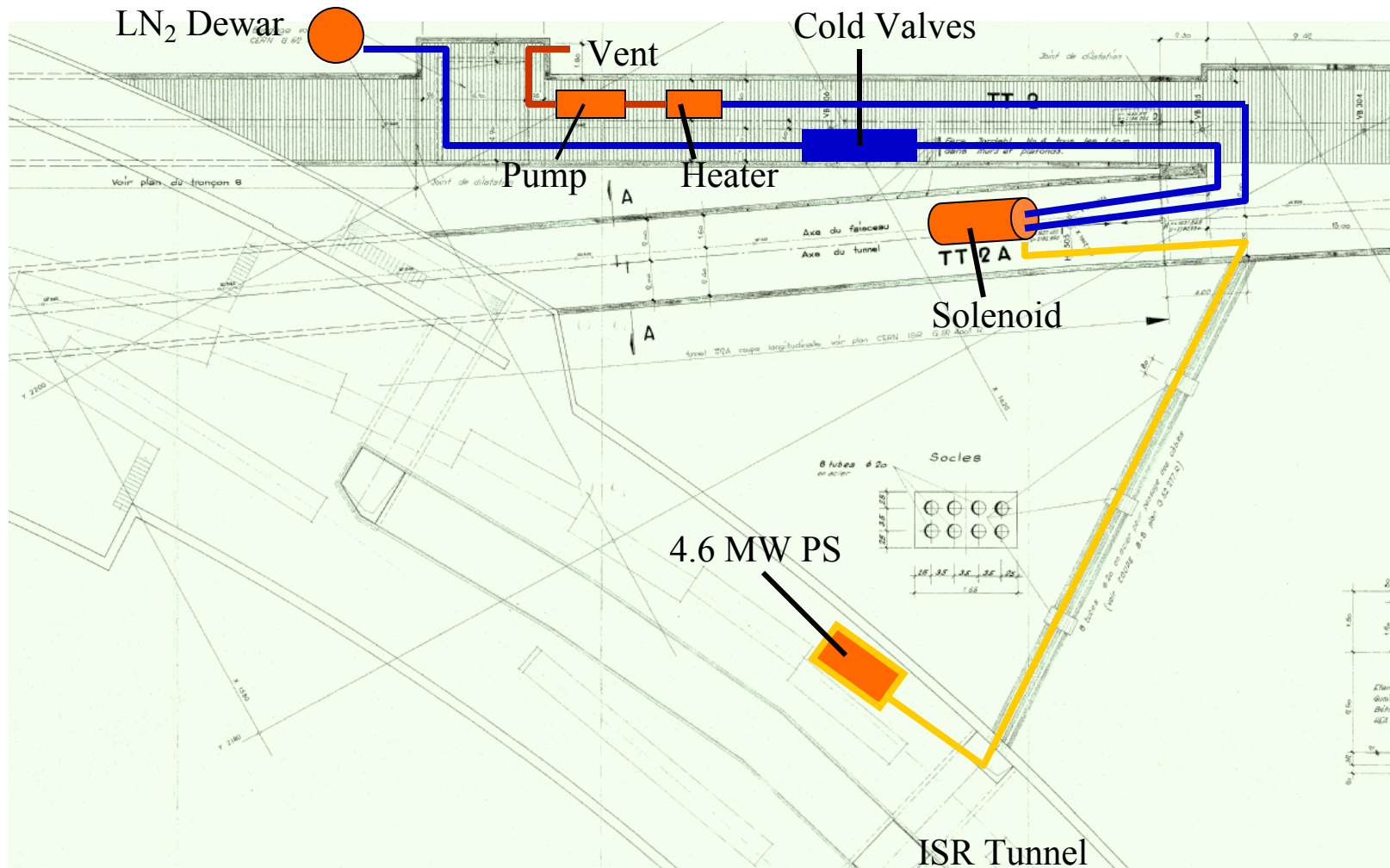
Total DC output ratings:
6500A_{dc}, 950V_{dc}, 6.7 MW

**AC input ratings
(per rectifier bridge):**
2858A_{rms}, 900V_{ac} (at no load), 4.5 MVA

Each power transformer ratings
Primary side: 154A_{rms}, 18kV_{ac}
Secondary side: 3080A_{rms}, 900V_{ac}
Nominal power: 4.8 MVA

Other
- Air forced cooling;
- Fed by two 18 kV lines

Layout of the Experiment



Run plan for PS beam spills

Our Beam Profile request allows for:

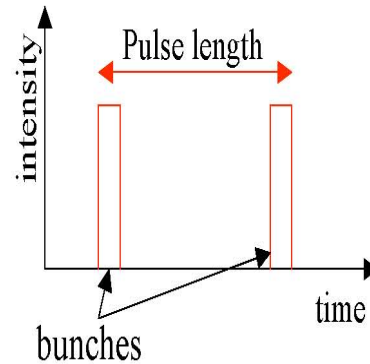
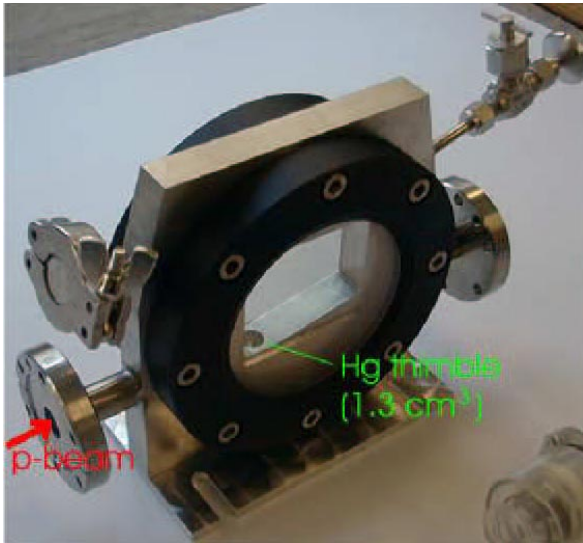
- Varying beam charge intensity from 5 (7) TP to 20 (28) TP
- Studying influence of solenoid field strength on beam dispersal (B_0 from 0 to 15T)
- Vary beam/jet overlap
- Study possible cavitation effects by varying PS spill structure—Pump/Probe

Charge	Bucket Structure	B_0	Beam Shift	Number of Shots
4 x 5TP	1-2-3-4	0	0	2
4 x 5TP	1-2-3-4	5	0	2
4 x 5TP	1-2-3-4	10	0	2
4 x 5TP	1-2-3-4	15	0	2
4 x 5TP	1-2-3-4	15	+5mm	2
4 x 5TP	1-2-3-4	15	+2.5mm	2
4 x 5TP	1-2-3-4	15	-2.5mm	2
4 x 5TP	1-2-3-4	15	-5mm	2
1 x 5TP	1	15	0	2
2 x 5TP	1-2	15	0	2
3 x 5TP	1-2-3	15	0	2
4 x 5TP	1-2-3-5	0	0	2
4 x 5TP	1-2-3-5	15	0	2
4 x 5TP	1-2-3-6	0	0	2
4 x 5TP	1-2-3-6	15	0	2
4 x 5TP	1-2-3-7	0	0	2
4 x 5TP	1-2-3-7	15	0	2
4 x 5TP	1-2-3-8	0	0	2
4 x 5TP	1-2-3-8	15	0	2

Total

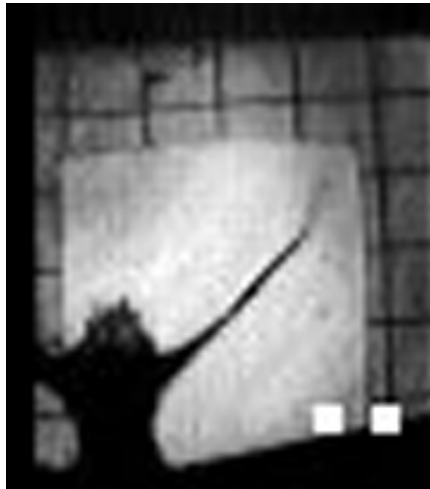
³⁸ Harold G. Kirk

CERN ISOLDE Hg Target Tests



Pulse length

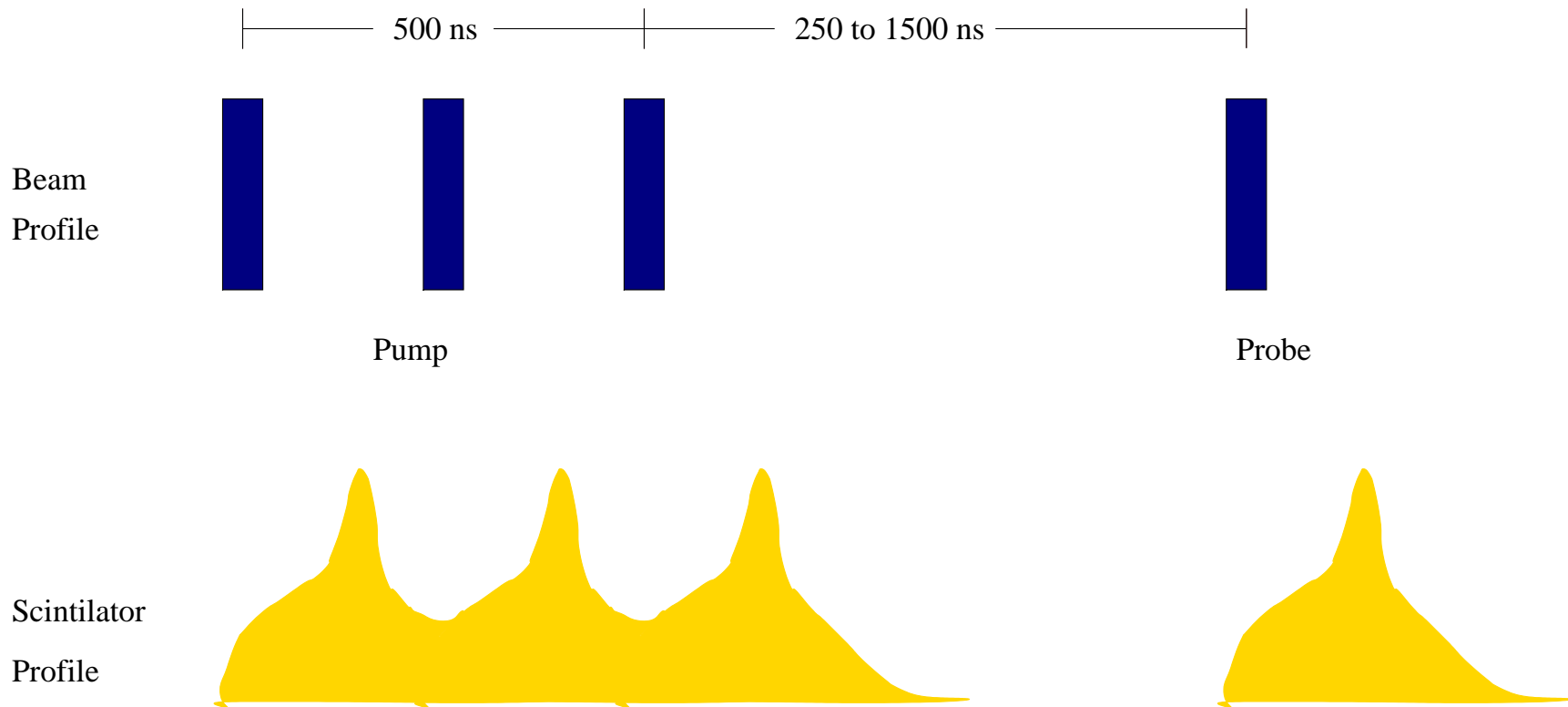
Velocities (pulse length)



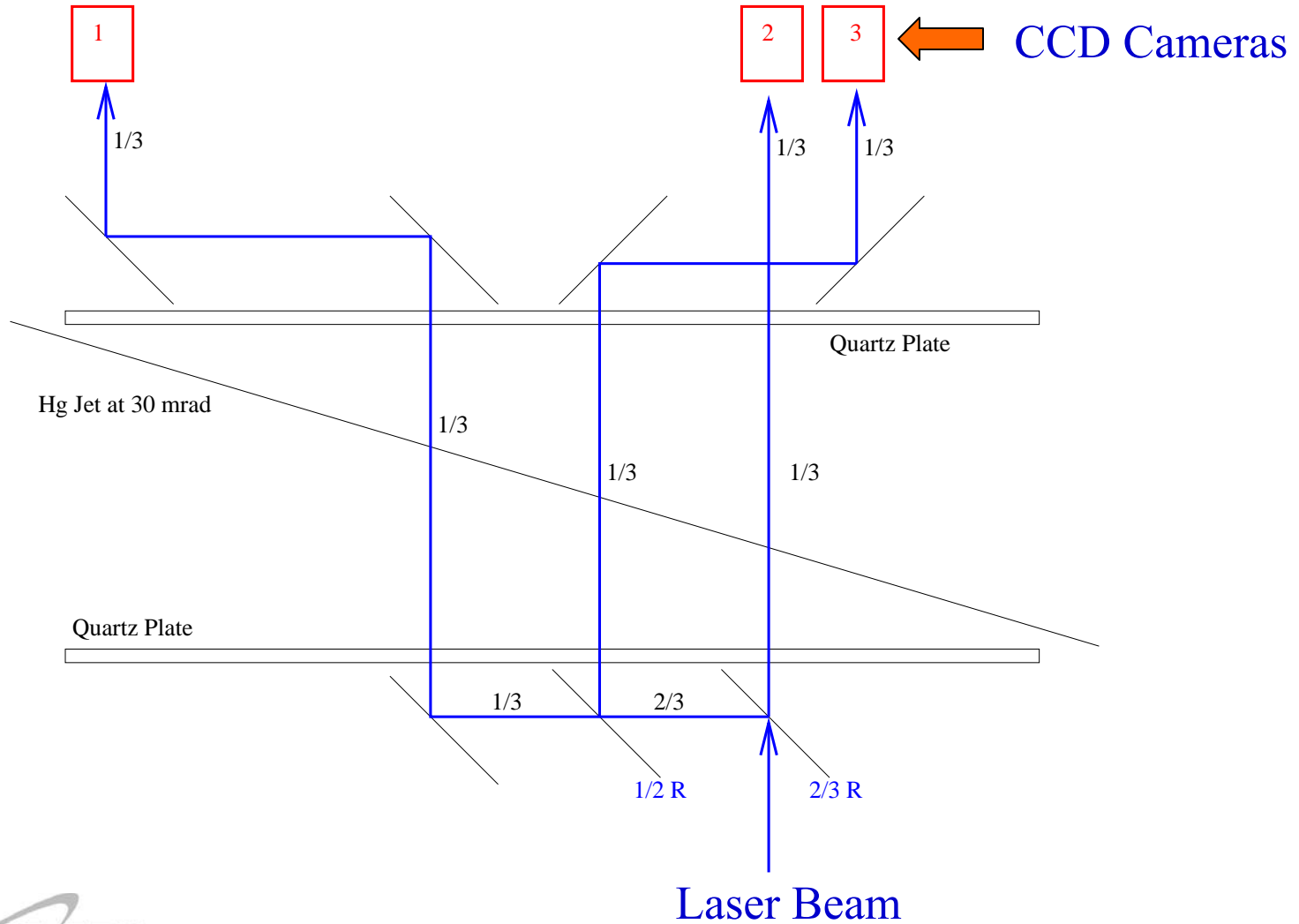
Proton beam
 5.5 TP per
 Bunch.



PS Extracted Beam Profile



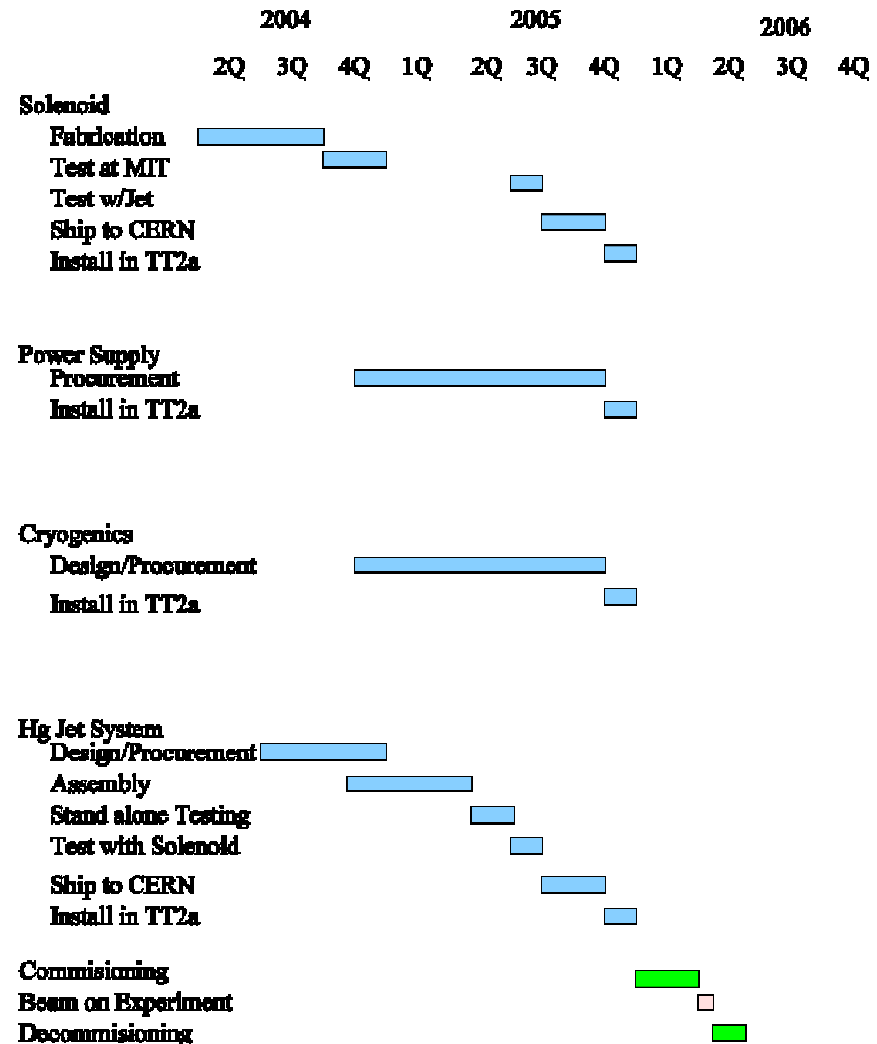
Optical Diagnostics of Hg Dispersal



Experiment Schedule

Key to plan is the scheduled shutdown of PS/SPS operations for 2005. We have an excellent opportunity to install the experiment and commission the experiment before the **April 2006** resumption of PS operations.

- Installation 4th Q 2005
- Commissioning 1st Q 2006
- Beam on target April 2006
- Equipment removal end of April, 2006
- nTOF resumes May 2006.



Pulsed Solenoid Project Cost Profile

Magnet

Engineering	\$ 350 K	\$ 350 K
Fabrication	\$ 410 K	\$ 410 K
Testing	\$ 90 K	
Shipping	\$ 15 K	
Installation	\$ 20 K	
Decommission	\$ 25 K	

Power Supply (CERN Solution)

Engineering	\$ 70 K	\$ 20 K
Procurement	\$ 300 K	
Installation	\$ 80 K	
Decommission	\$ 20 K	
Contingency	\$ 70 K	

Beam Diagnostics

Beam Profile	\$ 40 K
Beam Dump	\$ 25 K
Scintillators	\$ 10 K

Cryogenics System

(Assume CERN supplied components)

Engineering	\$ 90 K	\$ 45 K
Procurements	\$ 50 K	
Control System	\$ 40 K	
Installation	\$110 K	
Decommission	\$ 10 K	
Contingency	\$ 40 K	

Hg Jet System

Engineering	\$ 30 K
Procurements	\$ 45 K
Optical System	\$ 35 K
Decommission	\$20 K
Contingency	\$ 20 K

Support Services

Data Acquisition	\$ 30 K
Project Management	\$150 K

CERN Staff Effort Profile

Pulsed Solenoid

Transport/Install/Remove

1 Man-month

Power Converter

Requisition/Installation/Decommission

9 Man-months

Cryosystem

Design/Installation/Decommission

18 Man-months

Total CERN effort

~ 2.3 Man-Years

Cost Summary

	System Costs	Spent to date	
Magnet System	\$ 910 K	\$ 760 K	
Power Supply	\$ 540 K	\$ 20 K	
Cryogenics	\$ 340 K	\$ 45 K	
Hg Jet System	\$ 150 K		
Beam Systems	\$ 75 K		
Support Services	\$ 190 K		
Total	\$ 2205 K	\$ 825 K	➔ Remaining Costs \$ 1380K