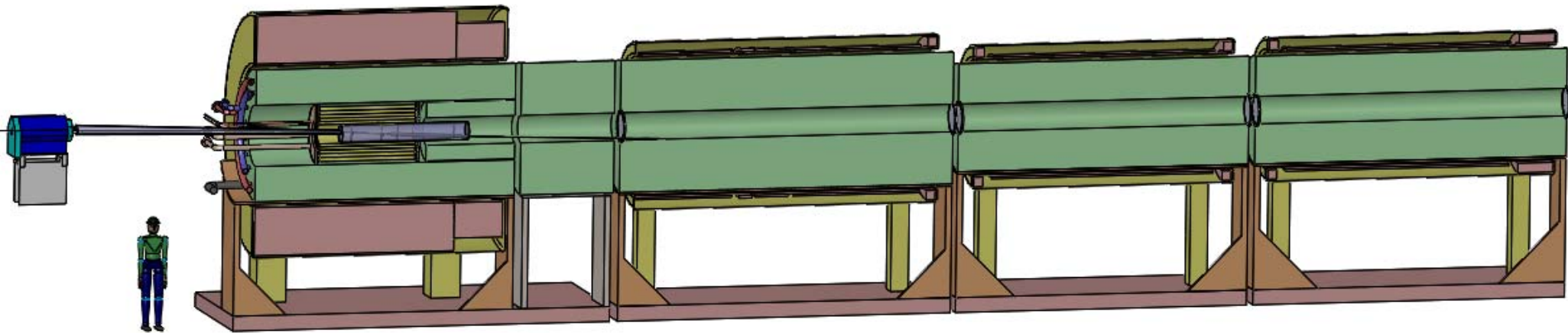


The High-Power-Target System of a Muon Collider or Neutrino Factory



K. McDonald

Princeton U.

(August 29, 2014)

NuFact'14

U Glasgow



The Target System Concept

A Muon Collider needs muon beams of both signs.

A Neutrino Factory based on neutrinos from muon decay could operate with only one sign of muons at a time, but advantageous to have both signs.

Could use two proton beams + 2 targets in solenoid horn (as per "conventional" neutrino beams from pion decay).

Or, could use one proton beam + solenoid capture system.

Fernow *et al.* reviewed options in March 1995,

http://puhep1.princeton.edu/~mcdonald/examples/accel/fernaw_aipcp_352_134_95.pdf

Li lenses, plasma lenses, toroidal horns, and solenoidal capture.

All of the pulsed, toroidal systems would be well beyond present technology (then and now!), so the solenoid capture system began to be favored.



Target and Capture Topology: Solenoid

Desire $\approx 10^{14}$ μ /s from $\approx 10^{15}$ p/s (≈ 4 MW proton beam)

R.B. Palmer (BNL, 1994) proposed a 20-T solenoidal capture system.

Low-energy π 's collected from side of long, thin cylindrical target.

Solenoid coils can be some distance from proton beam.

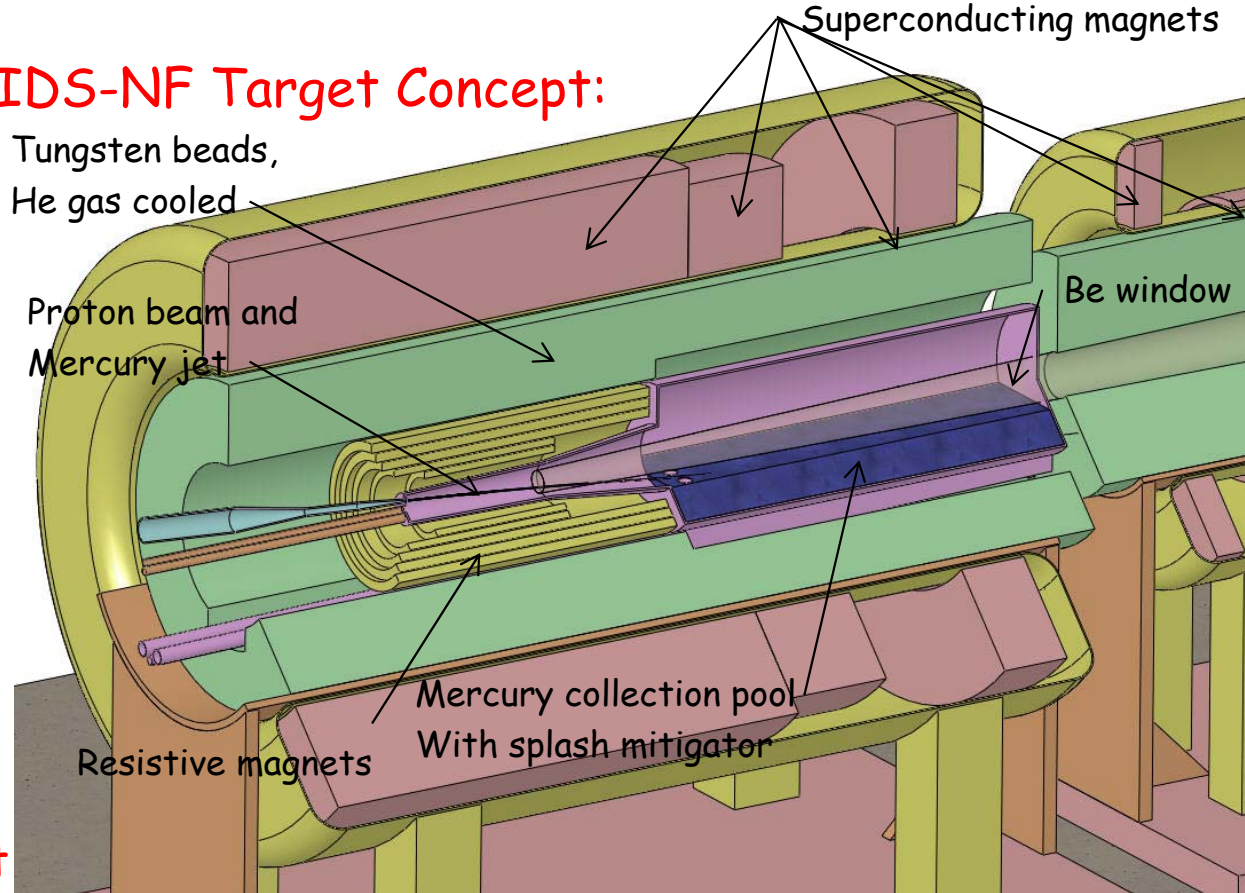
\Rightarrow ≥ 10 -year life against radiation damage at 4 MW.

Liquid mercury jet target replaced every pulse.

Proton beam readily tilted with respect to magnetic axis.

\Rightarrow Beam dump (mercury pool) out of the way of secondary π 's and μ 's.

IDS-NF Target Concept:



Shielding of the superconducting magnets from radiation is a major issue.

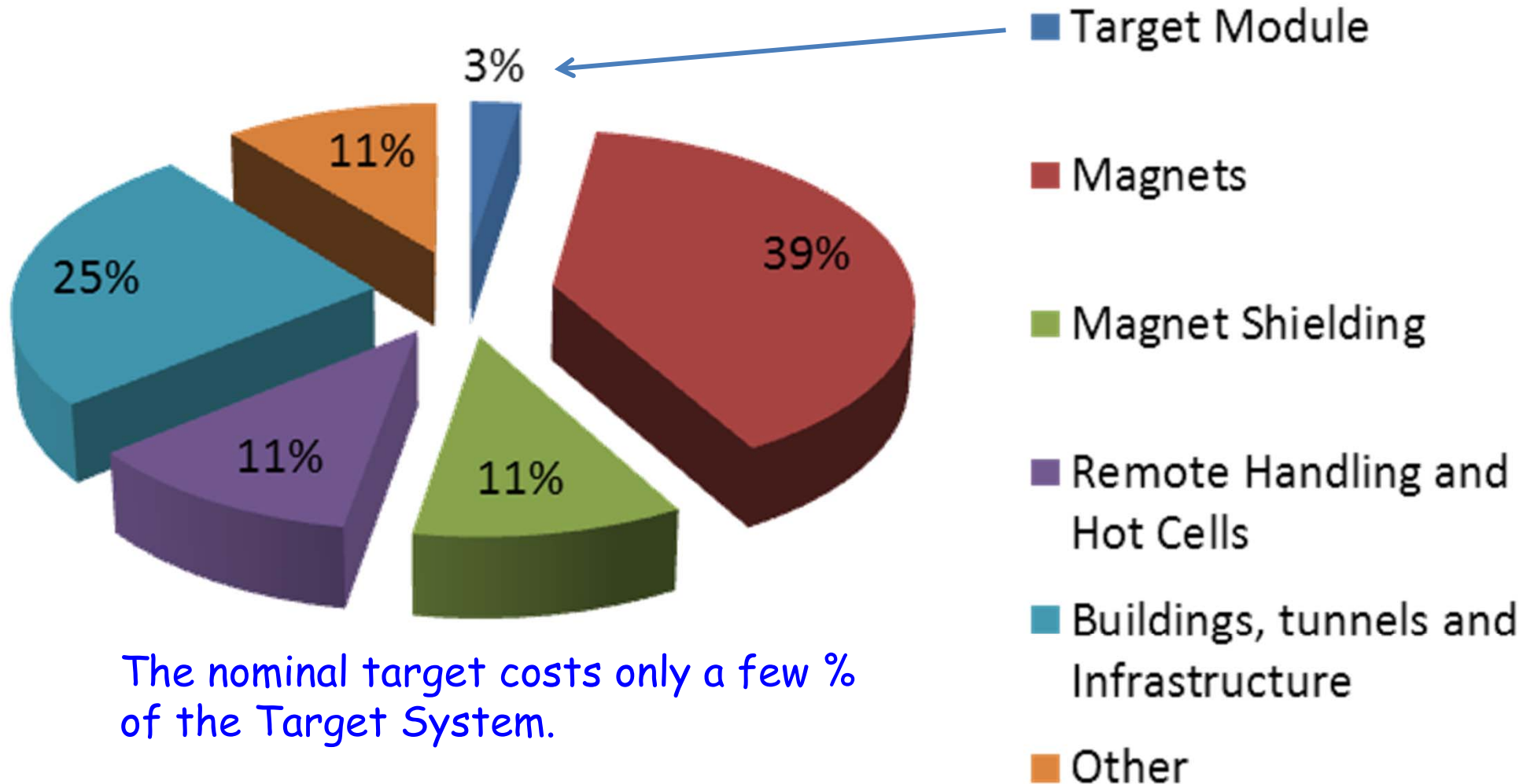
Magnetic stored energy ~ 3 GJ!

5-T copper magnet insert; 15-T Nb_3Sn coil + 5-T NbTi outsert.

Desirable to replace the copper magnet by a 20-T HTC insert (or 15-T Nb coil).



Preliminary Costing of a 4-MW Target System



The nominal target costs only a few % of the Target System.

Infrastructure costs are ~ 50%.

(A. Kurup, International Design Study for a Neutrino Factory)



Liquid or Solid Target?

Muon Colliders/Neutrino Factories favor initial capture of low-energy muon (which are later accelerated to a desirable energy).

The yield of soft pions/muons is higher for a high- Z target.

Solid metal targets would melt in a MW proton beam, unless replaced \sim every beam pulse.

\Rightarrow Consider high- Z liquid metal target (He, Pb-Bi, Ga, ...) or carbon target.

Studies have alternated between these two options.

Recent effort has emphasized carbon target options.

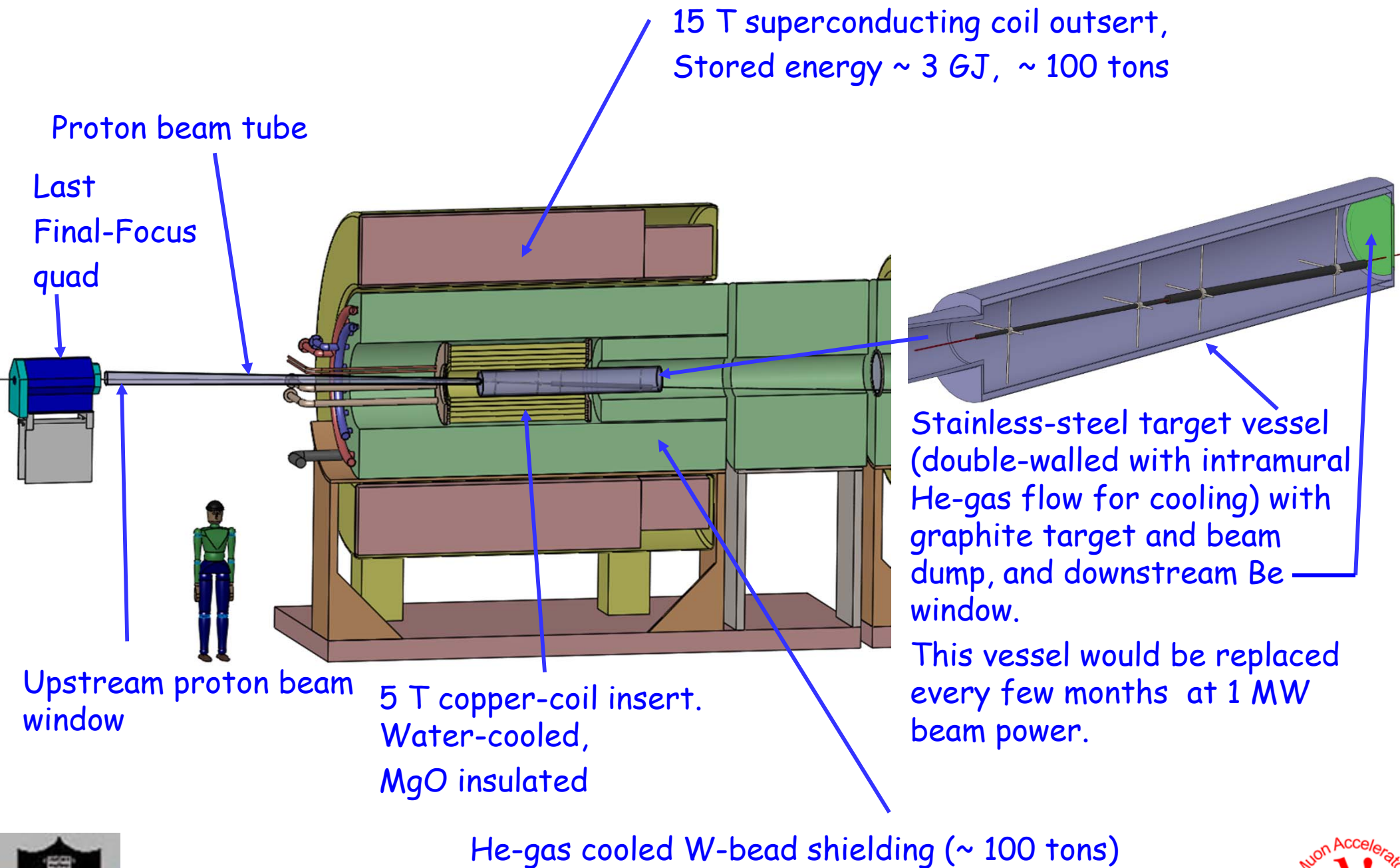


Specifications from the Muon Accelerator Staging Scenario

- 6.75 GeV (kinetic energy) proton beam with 3 ns (rms) pulse.
- 1 MW initial beam power, upgradable to 2 MW (perhaps even to 4 MW).
- 60 Hz initial rep rate for Neutrino Factory;
15 Hz rep rate for later Muon Collider.
- The goal is to deliver a maximum number of soft muons,
 $\sim 40 < KE < \sim 180$ MeV.

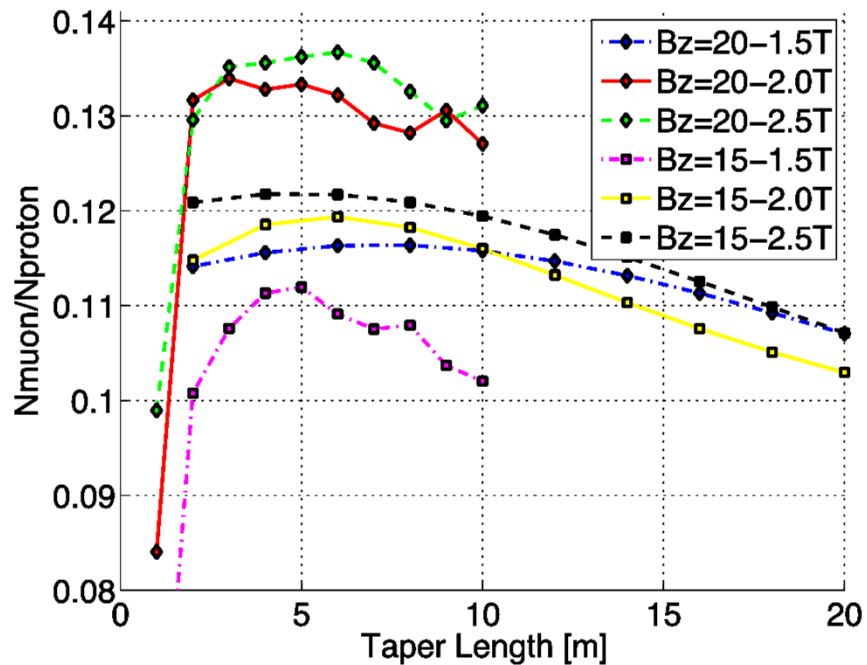
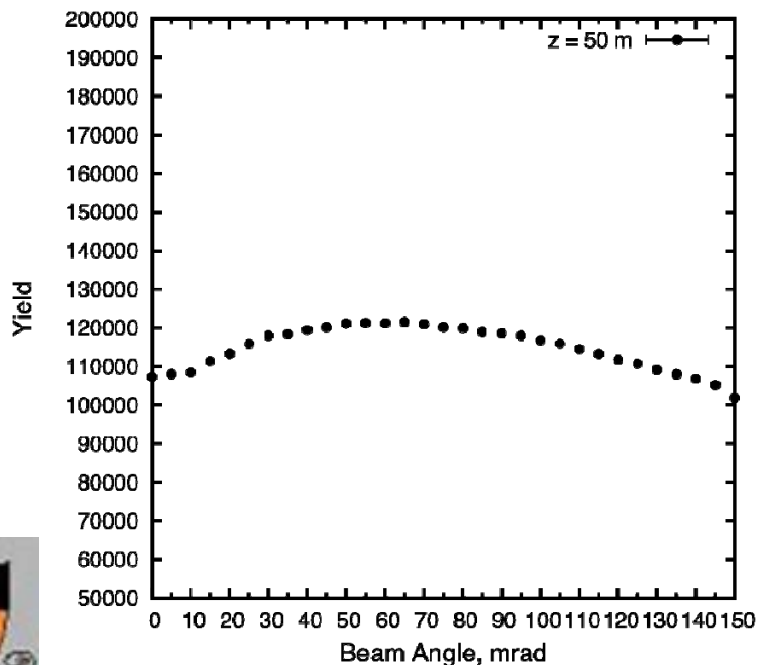
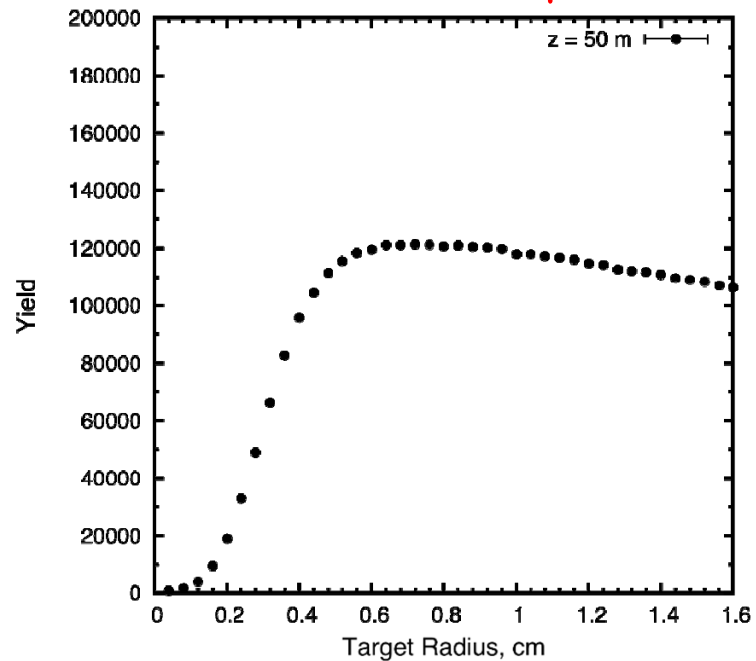
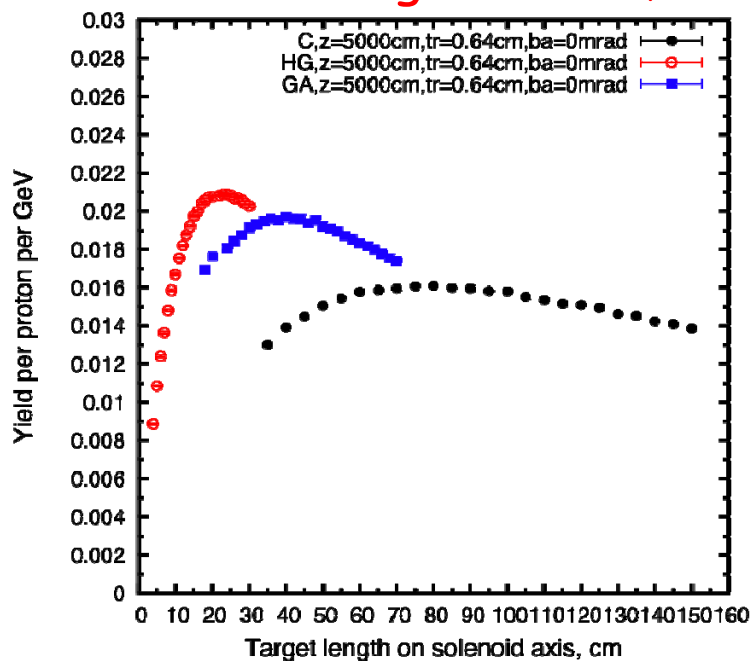


Target System Concept



Target System Optimization

for fixed geometric, rms transverse emittance of $5 \mu\text{m}$



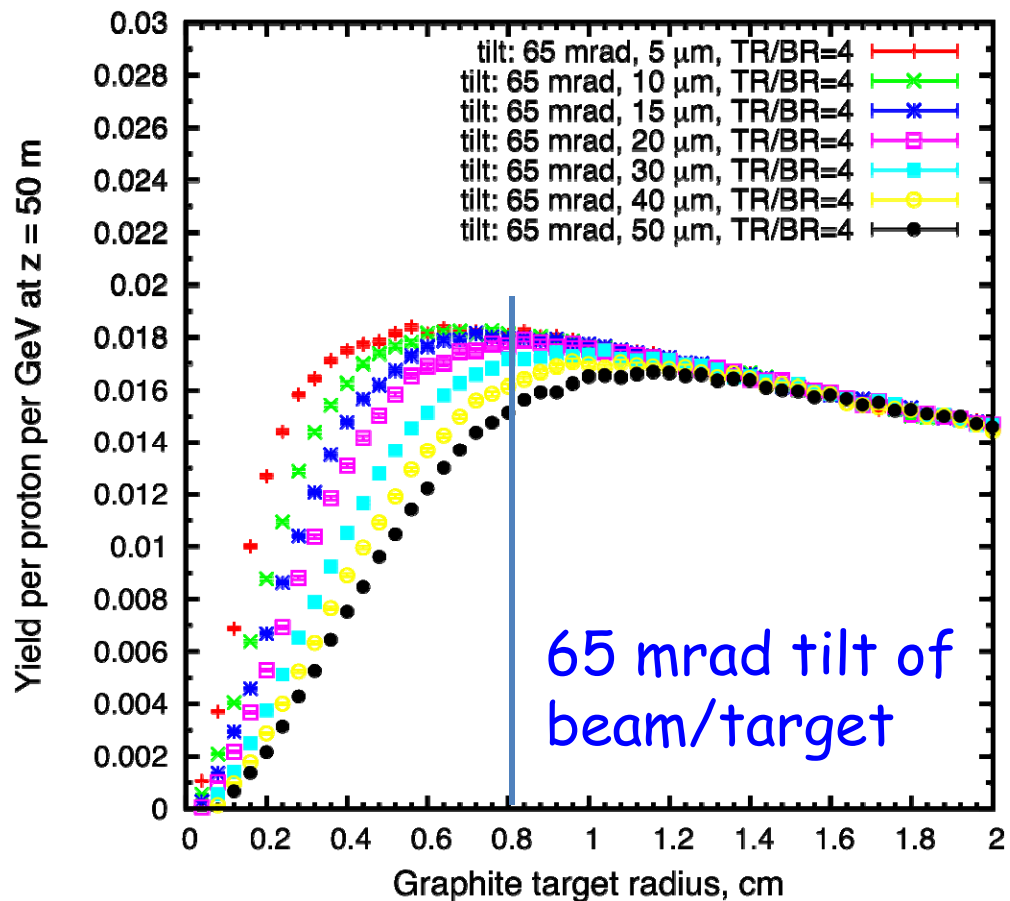
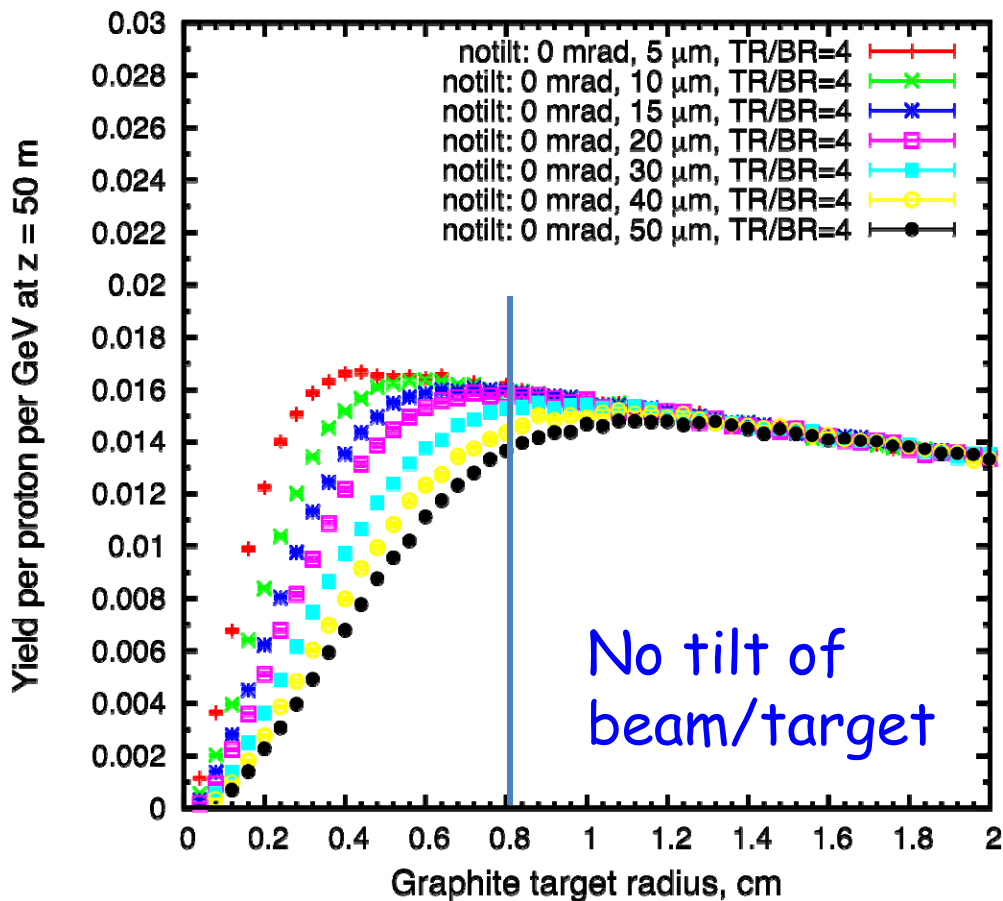
Target System Optimizations

- High- Z favored.
- Optima for graphite target: length = 80 cm,
radius ~ 8 mm (with $\sigma_r = 2$ mm (rms) beam radius),
tilt angle = 65 mrad,
nominal geometric rms emittance $\varepsilon_{\perp} = 5 \mu\text{m}$.
 $\beta^* = \sigma_r^2 / \varepsilon_{\perp} = 0.8$ m.
- Graphite proton beam dump, 120 cm long, 24 mm radius to intercept most of the (diverging) unscattered proton beam.
- The 20 T field on target should drop to the ~ 2 T field in the rest of the Front End over ~ 5 m.
- However, difficult to deliver a beam of $5 \mu\text{m}$ emittance with over 1 MW power.



Target System Optimization

for variable geometric, rms transverse emittance



We prefer target radius ≥ 8 mm (beam radius ≥ 2 mm) for viable radiation cooling of the target.

For $r_{\text{target}} = 8$ mm, same yield for any emittance ≤ 20 μ m.

Yield for 50 μ m emittance and target radius of 1.2 cm is only 10% less than that for the nominal case of 5 μ m emittance and 0.8 cm target radius.

Little loss of muon yield for 20 μ m emittance,
 \Rightarrow Can use single beam @ 4 MW.



Future Target Studies

Muon Collider/Neutrino Factory studies in the USA being ramped down.

Interest remains in high-power targetry for various applications.

See, for example, the 5th High Power Targetry Workshop (FNAL, 2014),

<https://indico.fnal.gov/conferenceDisplay.py?ovw=True&confId=7870>

[These workshops were initiated by H. Kirk.]

A particular issue: how much beam power can a graphite target stand?

- Lifetime against radiation damage much better at high temperature.
- Resistance to “thermal shock” from pulsed beams also better at high temperature.

Firm up these trends with data from beam irradiations of high-temperature graphite. (The Muon Collider/Neutrino Factory group participated in beam irradiations of water-cooled graphite and many other target materials in 2002-2006.)

GARD proposal(s) being generated by BNL and FNAL for such studies.

New diagnostic: x-ray diffraction of irradiated samples.

